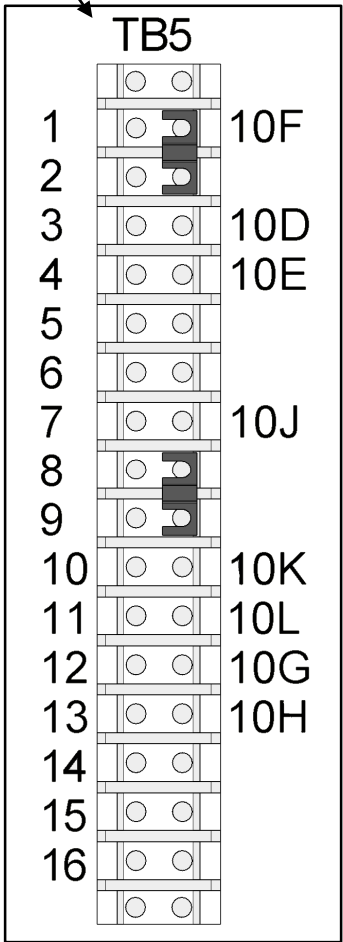
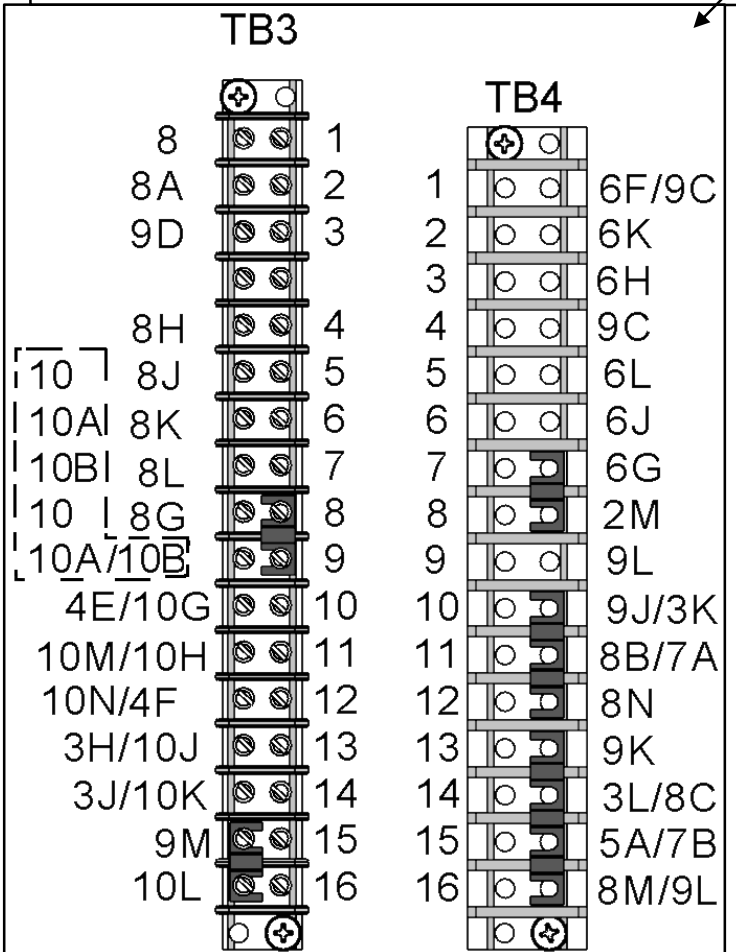
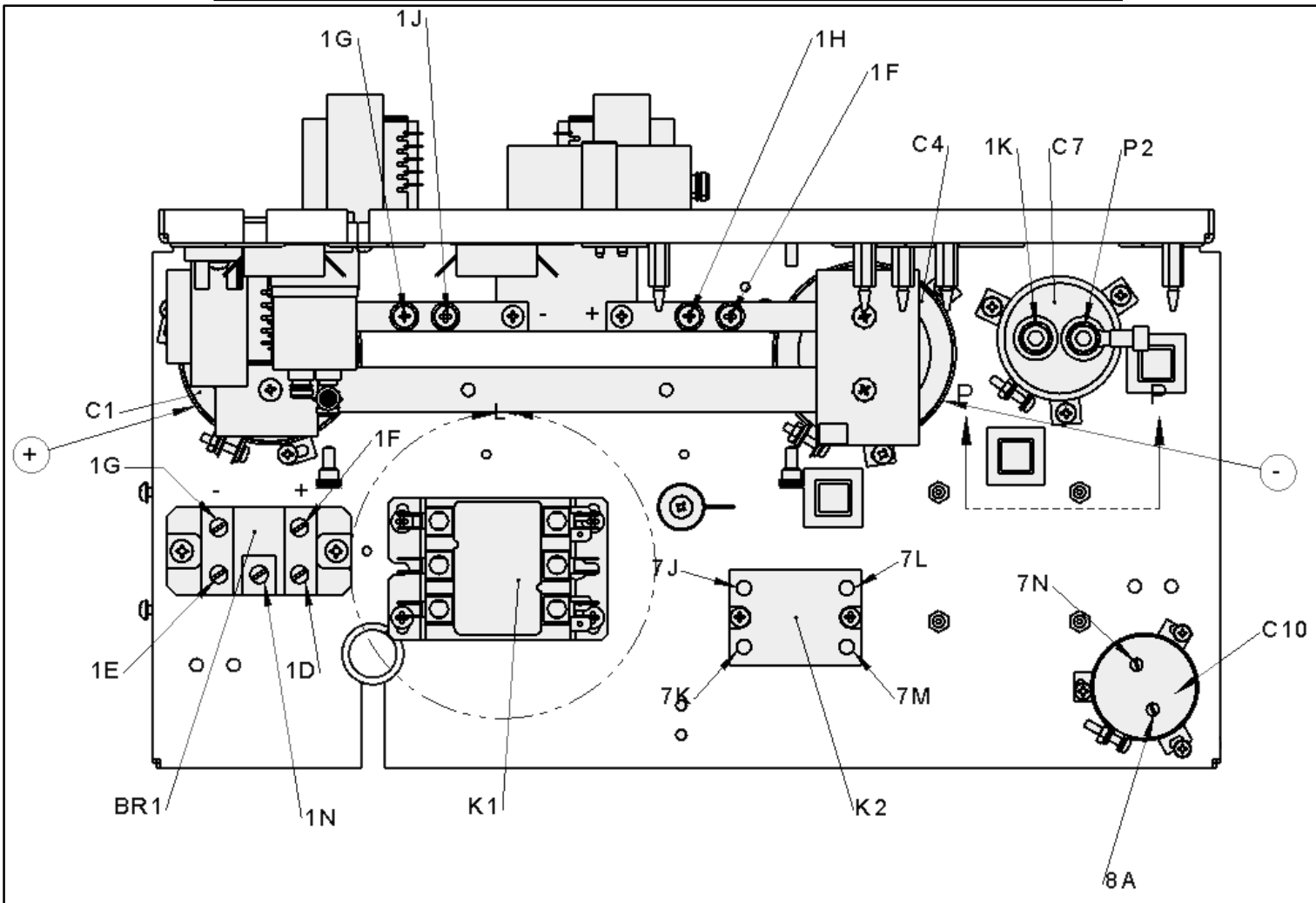


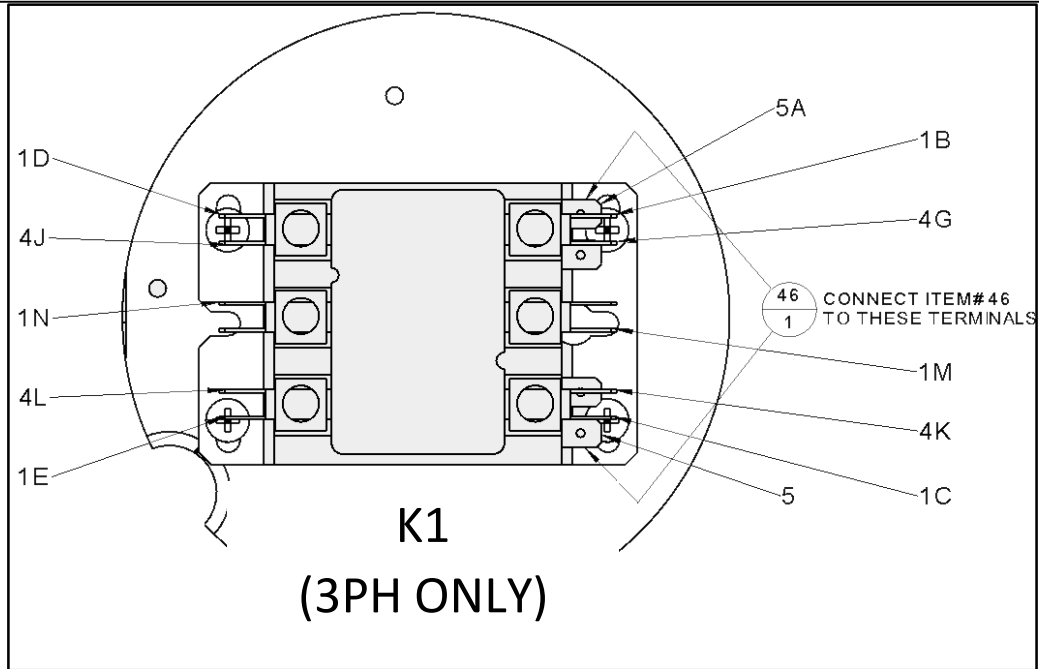
FOR L177-13 TO -16, L741-\*\* ONLY



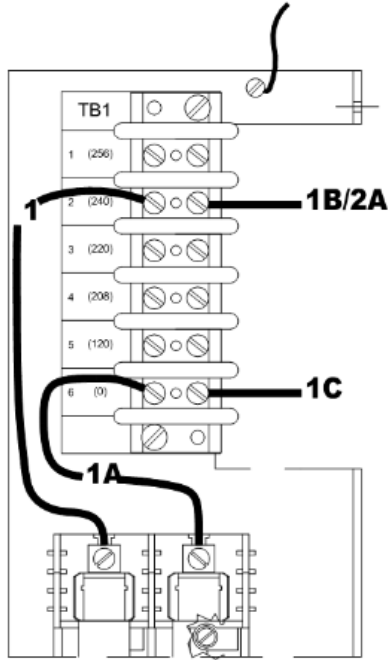
**FOR 3PH 480V GENERATORS (L177-10, -15 AND L741-06) ONLY:**



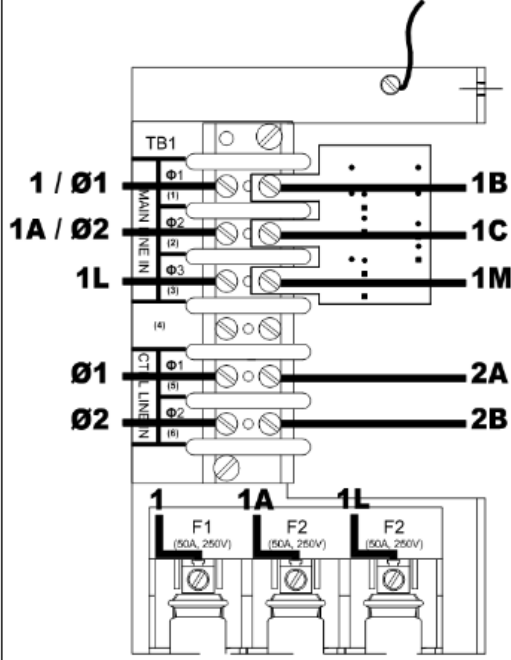
**FOR ALL 3PH GENERATORS (L177-10, -11, -15, -16 AND L741-05, -06):**



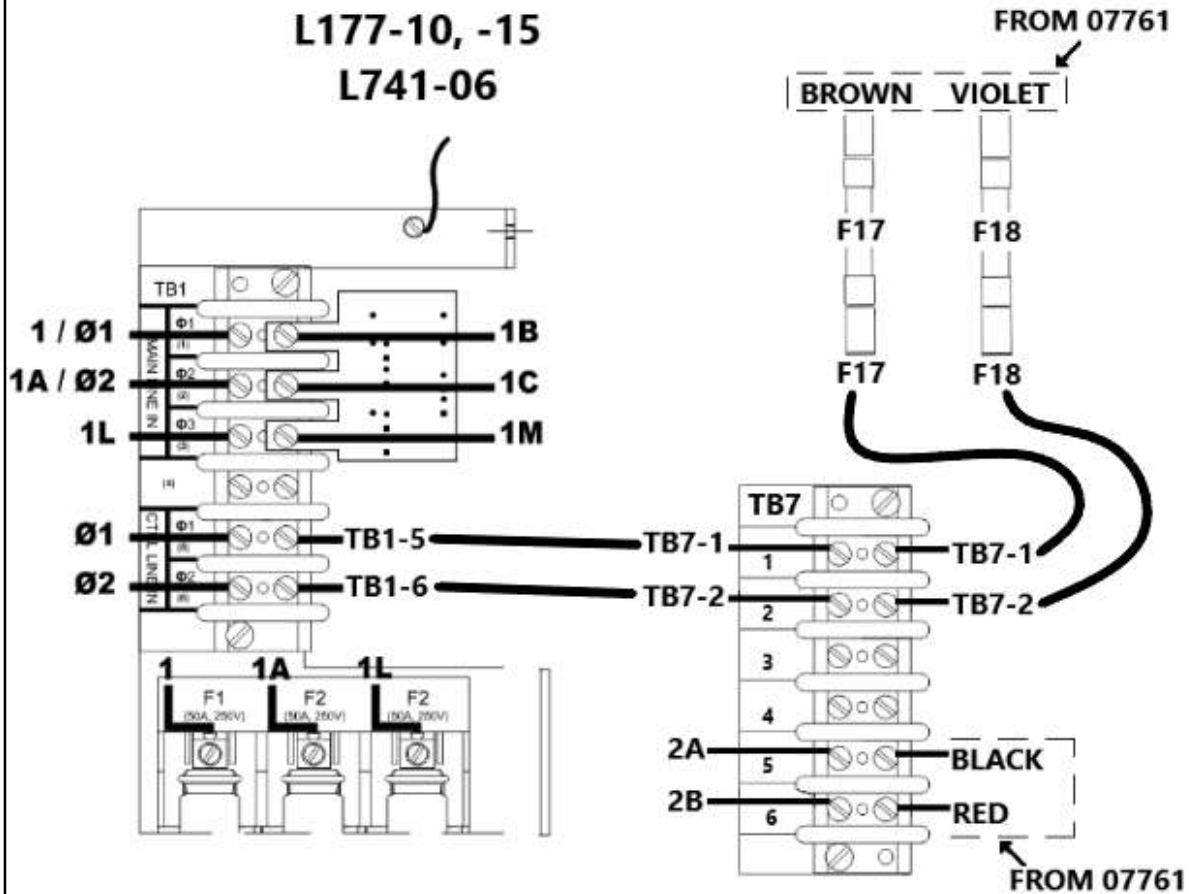
**1PH GENERATORS**  
**L177-09, -12 TO -14**  
**L741-04, -07**

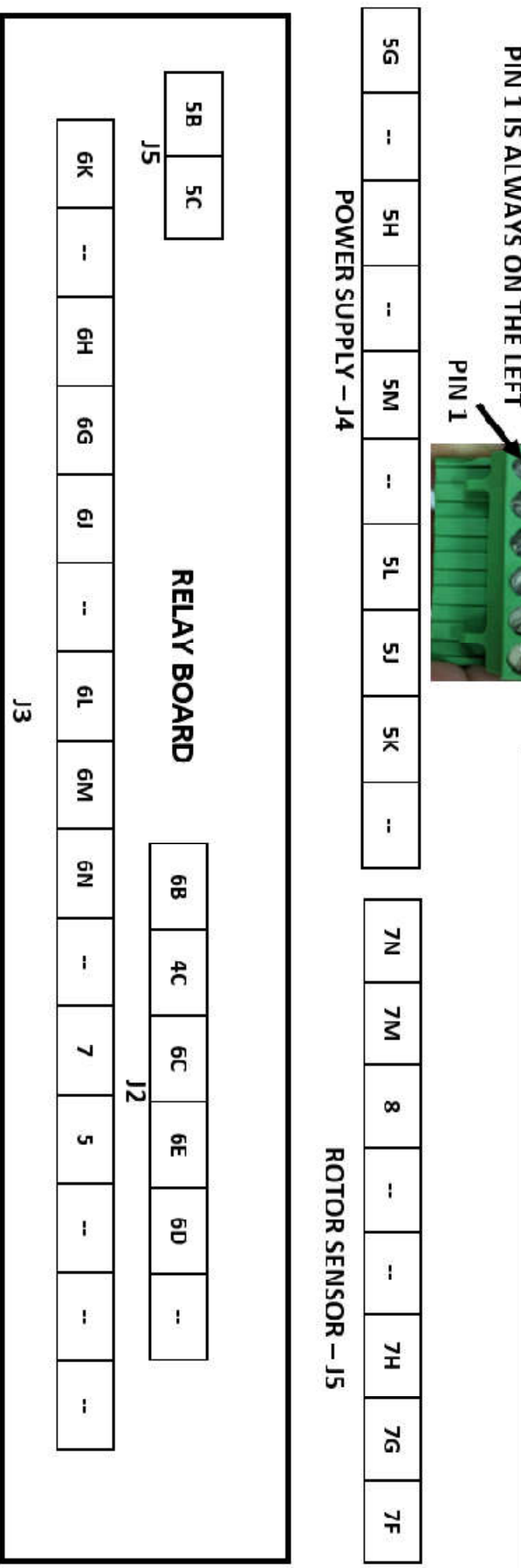
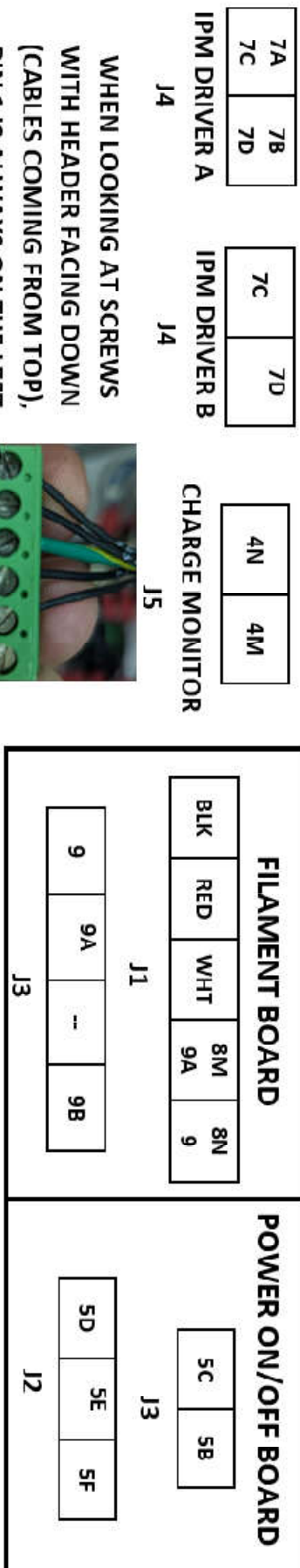
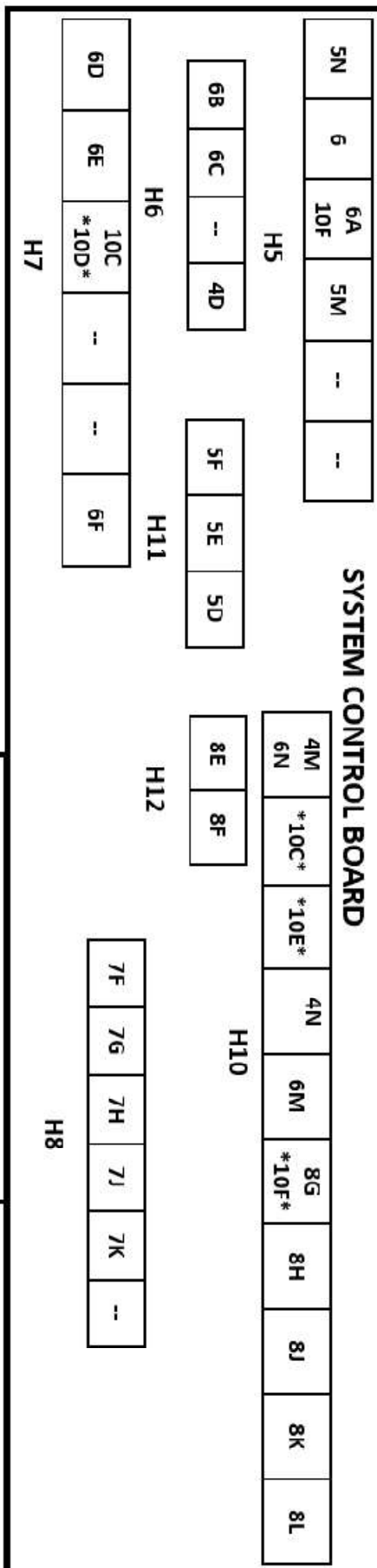


**3PH 208-240V GENERATORS**  
**L177-11, -16**  
**L741-05**



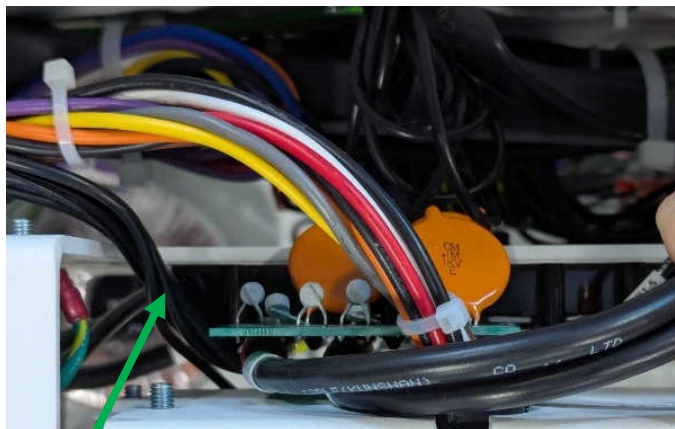
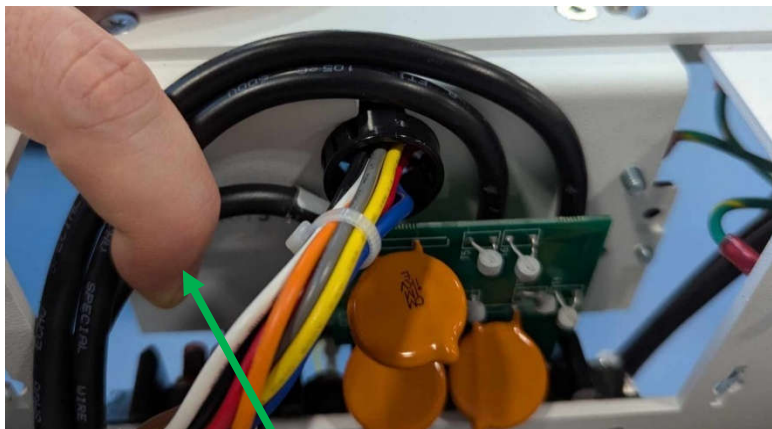
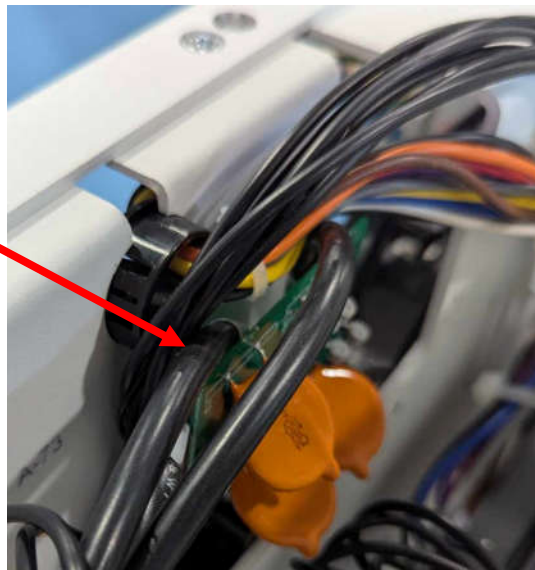
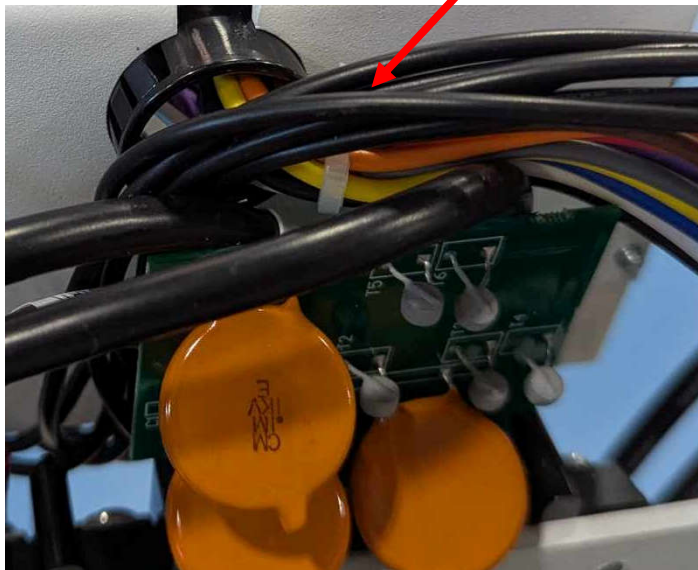
**3PH 480V GENERATORS**  
**L177-10, -15**  
**L741-06**



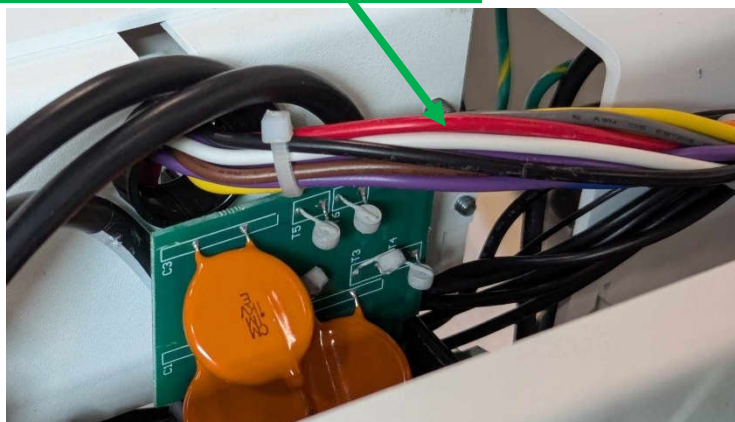
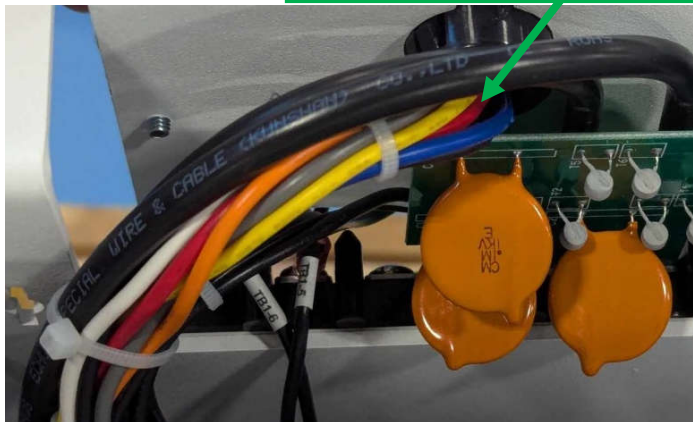


WIRE ROUTING NOTES FOR 3PH SHORT GENERATORS (L741-05 & L741-06):

**DO NOT: ROUTE TB2 WIRES IN BETWEEN TB1 WIRES OR PCB**  
**DO NOT: PUSH WIRES AGAINST PCB.**

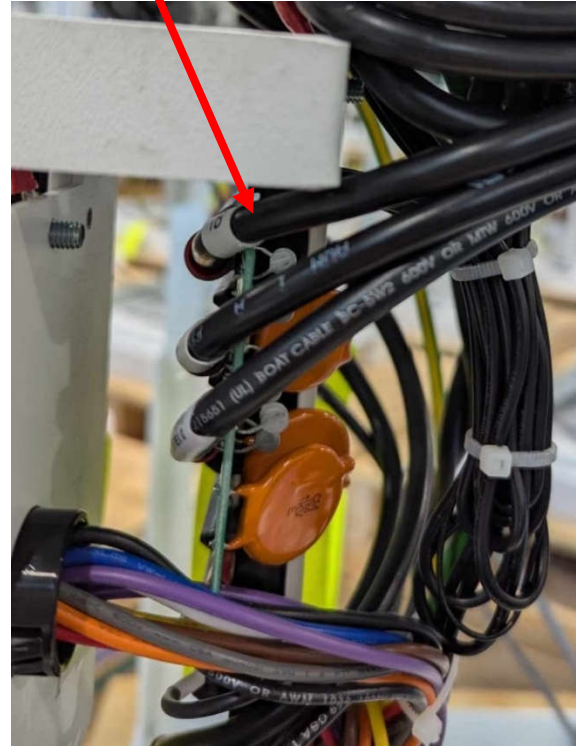
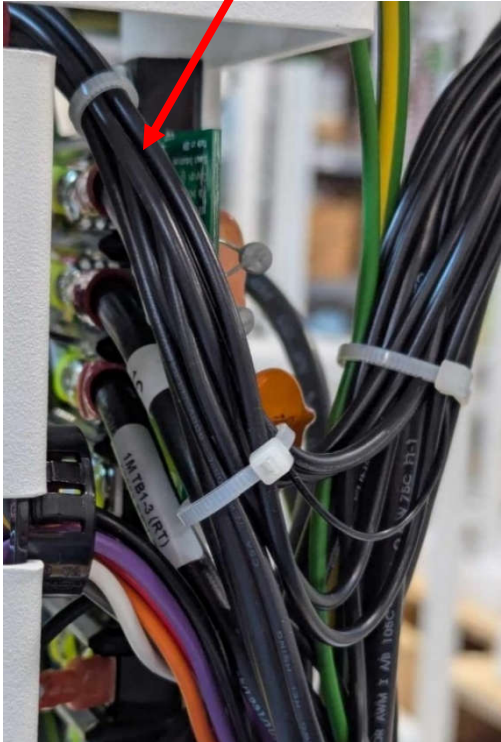


**DO: ROUTE TB2 WIRES AWAY FROM TB1 WIRES/PCB.**  
**DO: LEAVE SPACE FOR TB1 WIRES TO MOVE AROUND.**  
**DO: FINISH ROUTING WIRES AWAY FROM PCB.**



WIRE ROUTING NOTES FOR 3PH TALL GENERATORS (L177-10,-11,-15,-16):

**DO NOT: ROUTE TB2 WIRES IN BETWEEN TB1 WIRES OR PCB**  
**DO NOT: PUSH WIRES AGAINST PCB.**



**DO: ROUTE TB2 WIRES AWAY FROM TB1 WIRES/PCB.**  
**DO: LEAVE SPACE FOR TB1 WIRES TO MOVE AROUND.**  
**DO: FINISH ROUTING WIRES AWAY FROM PCB.**

