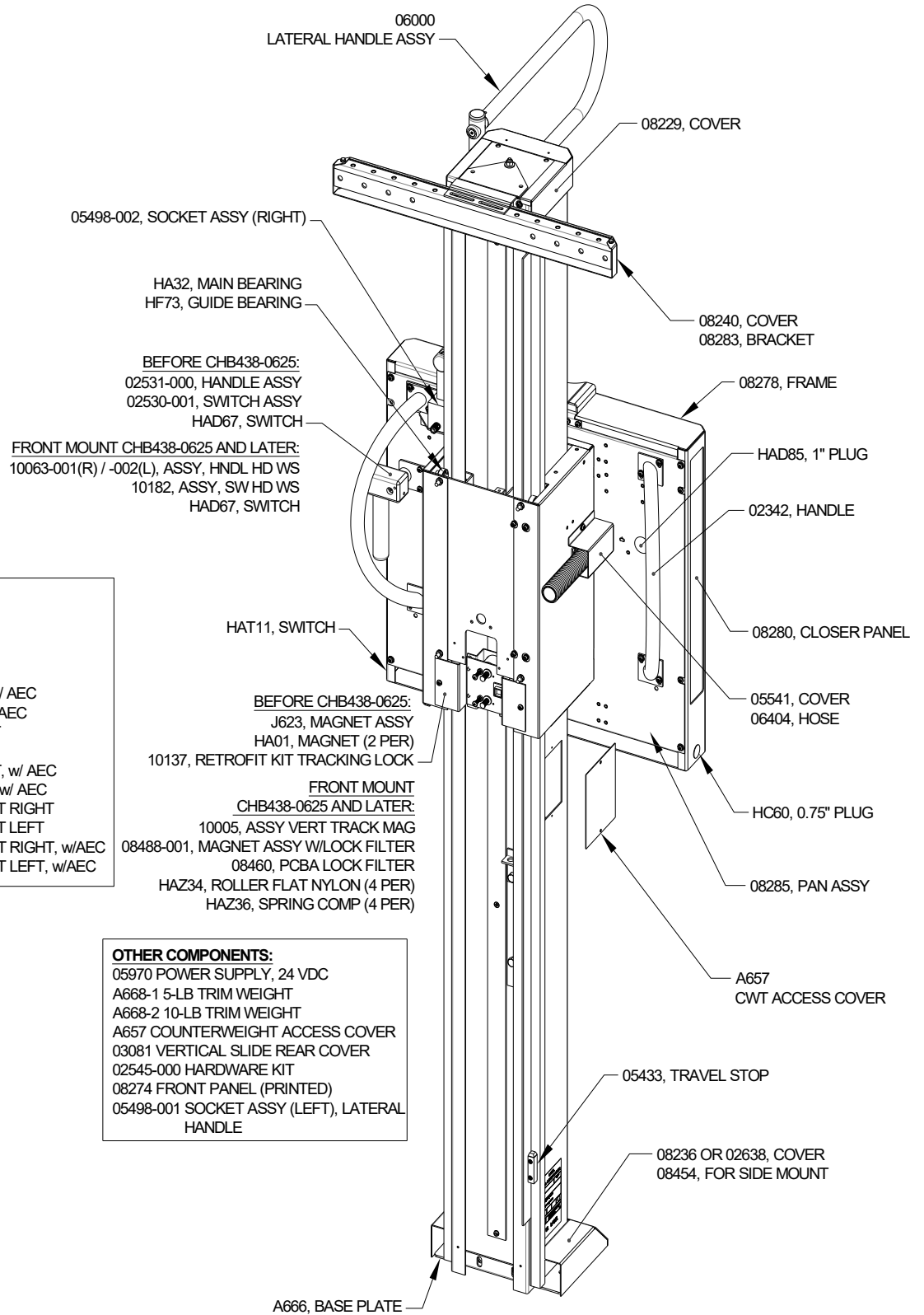


REPLACEMENT PART GUIDE – J1000

See graphics below for Summit part numbers and descriptions of service parts.
First Serial# CHA537-1019



CABINET ASSEMBLIES:

02538*

- 000 ASSY, BUCKY, SHOOT RIGHT
- 001 ASSY, BUCKY, SHOOT LEFT
- 002 ASSY, BUCKY, SHOOT RIGHT, w/ AEC
- 003 ASSY, BUCKY, SHOOT LEFT, w/ AEC
- 004 ASSY, GRID CAB, SHOOT RIGHT
- 005 ASSY, GRID CAB, SHOOT LEFT
- 006 ASSY, GRID CAB, SHOOT RIGHT, w/ AEC
- 007 ASSY, GRID CAB, SHOOT LEFT, w/ AEC
- 008 ASSY, HIGH SPD BUCKY, SHOOT RIGHT
- 009 ASSY, HIGH SPD BUCKY, SHOOT LEFT
- 010 ASSY, HIGH SPD BUCKY, SHOOT RIGHT, w/AEC
- 011 ASSY, HIGH SPD BUCKY, SHOOT LEFT, w/AEC

OTHER COMPONENTS:

- 05970 POWER SUPPLY, 24 VDC
- A668-1 5-LB TRIM WEIGHT
- A668-2 10-LB TRIM WEIGHT
- A657 COUNTERWEIGHT ACCESS COVER
- 03081 VERTICAL SLIDE REAR COVER
- 02545-000 HARDWARE KIT
- 08274 FRONT PANEL (PRINTED)
- 05498-001 SOCKET ASSY (LEFT), LATERAL HANDLE