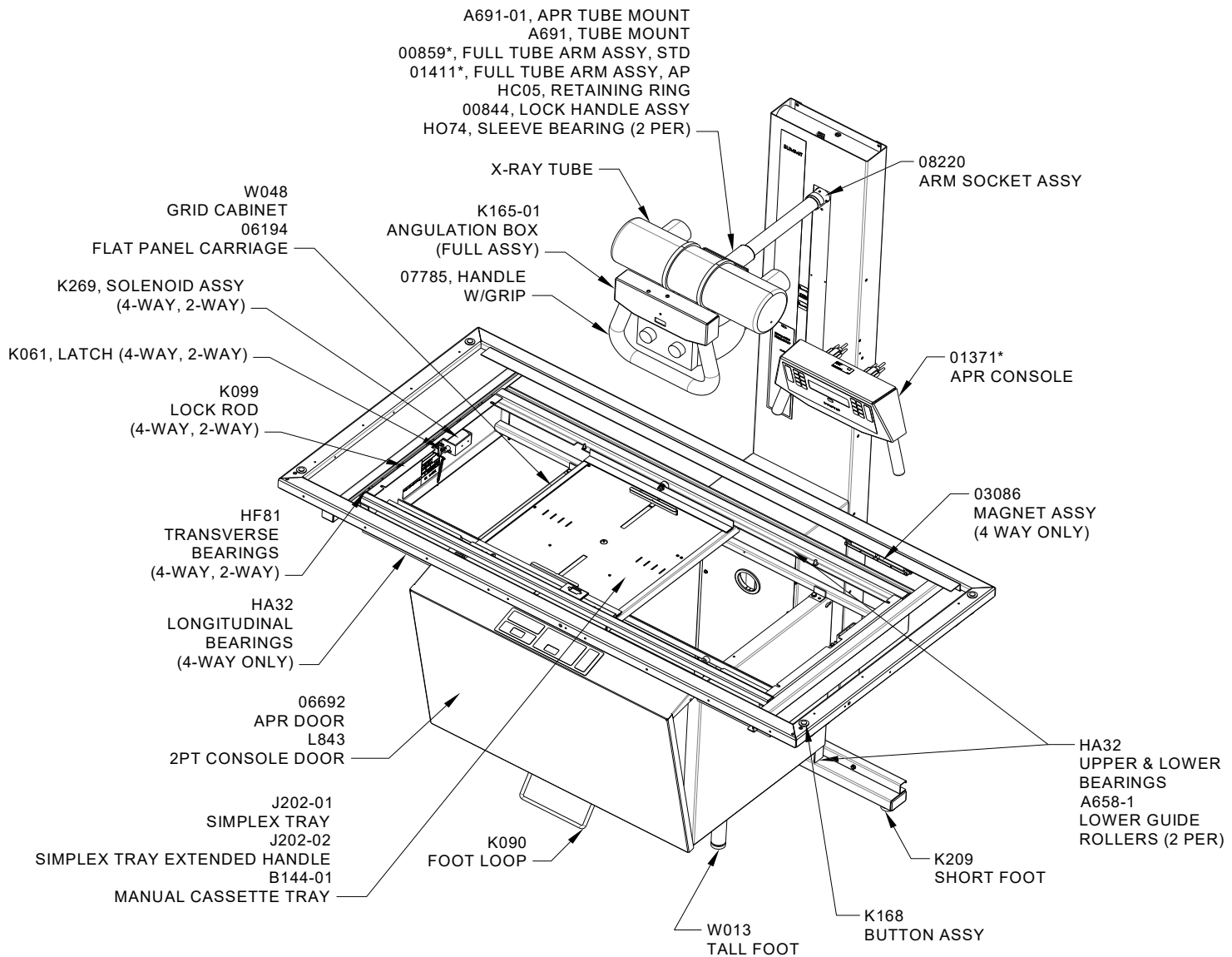


# REPLACEMENT PART GUIDE – S305

See graphics on the following pages for Summit part numbers and descriptions of service parts.

Valid for product manufactured 7/2002 to present.



**OTHER COMPONENTS:**

- K262-01 KIT, HIP SWITCH, 2/4-WAY S305
- K262-02 KIT, HIP SWITCH, FIXED S305
- K290 HIP SW/CABLE, MIDDLE
- K289 HIP SW/CABLE SIDE
- K288 HIP SW HARNESS
- HU95 SPRING,COMP. (HIP SW)
- K009 BAR, HIP SW
- K008 BEZEL, HIP SW

