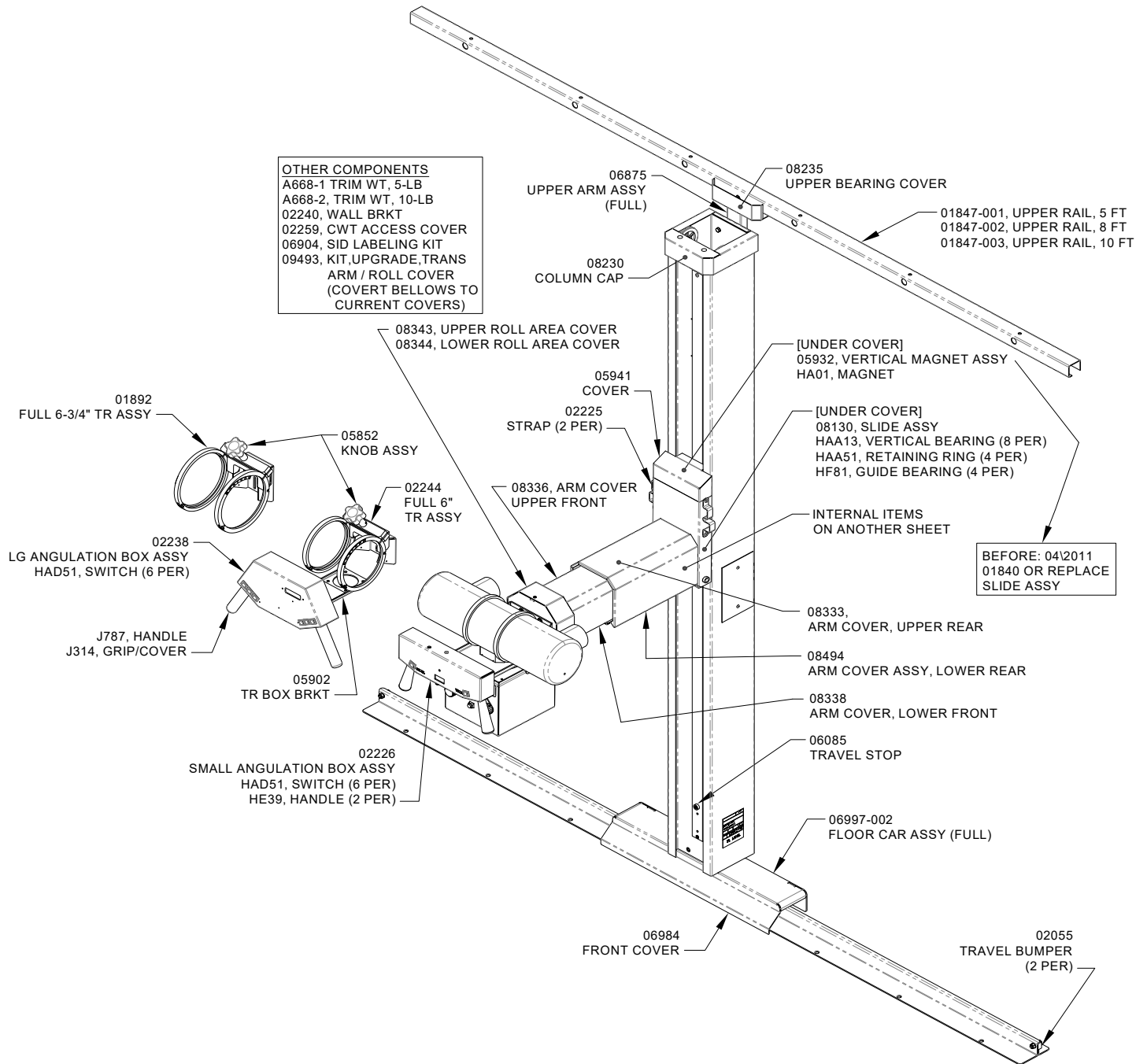
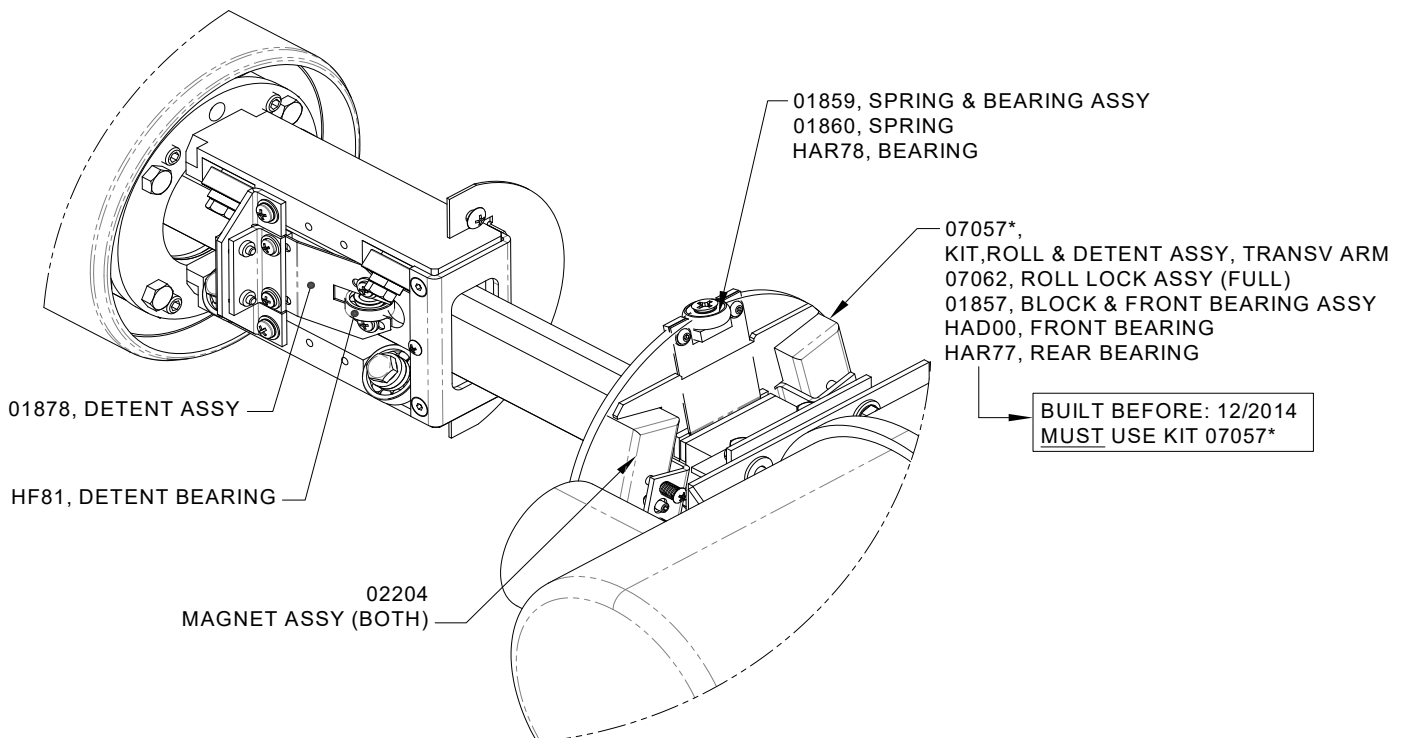
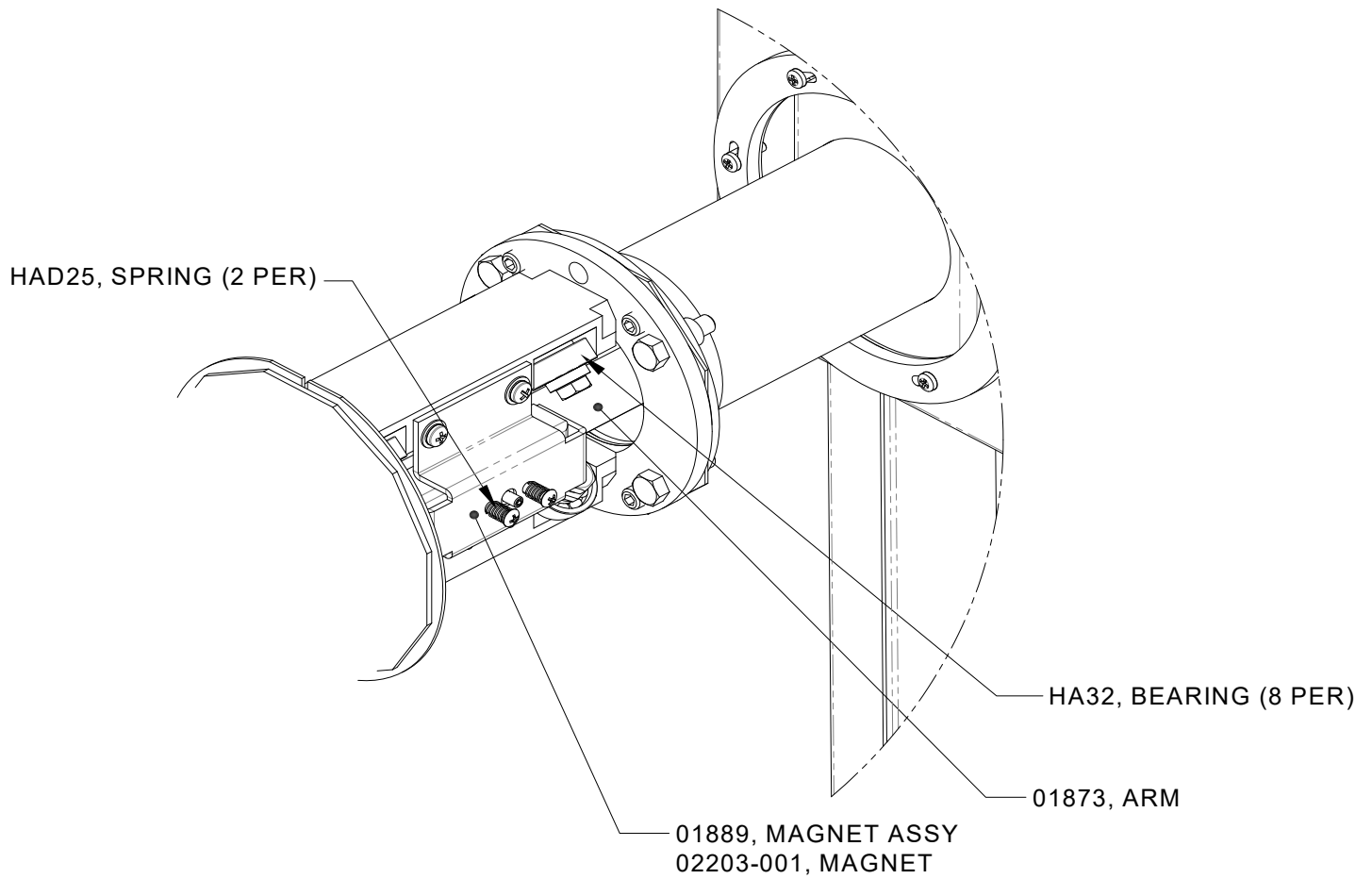
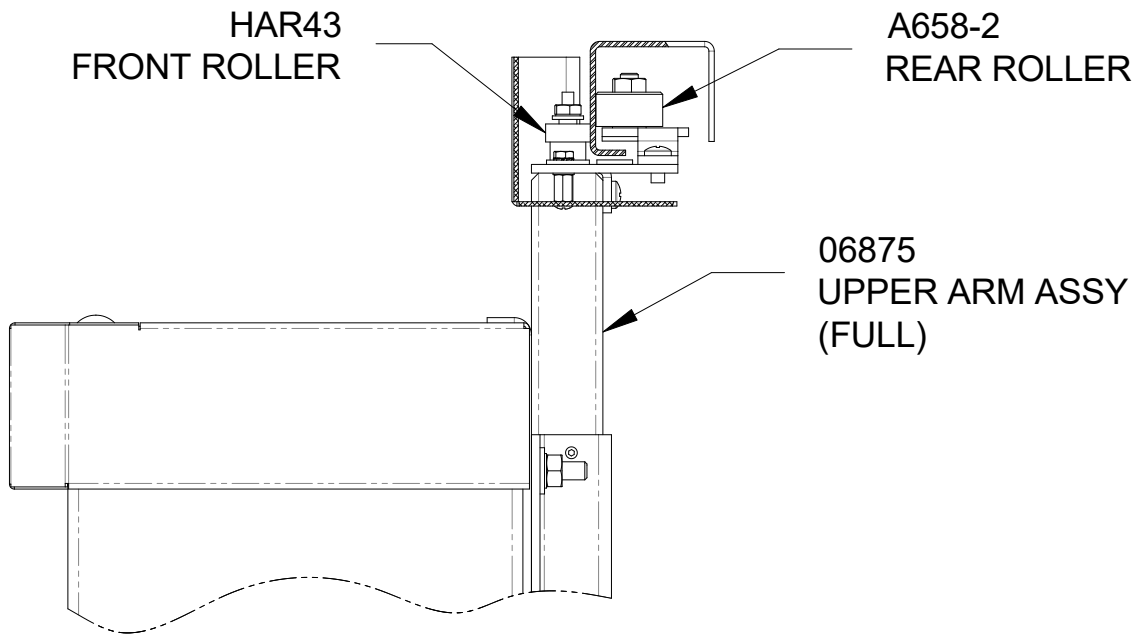
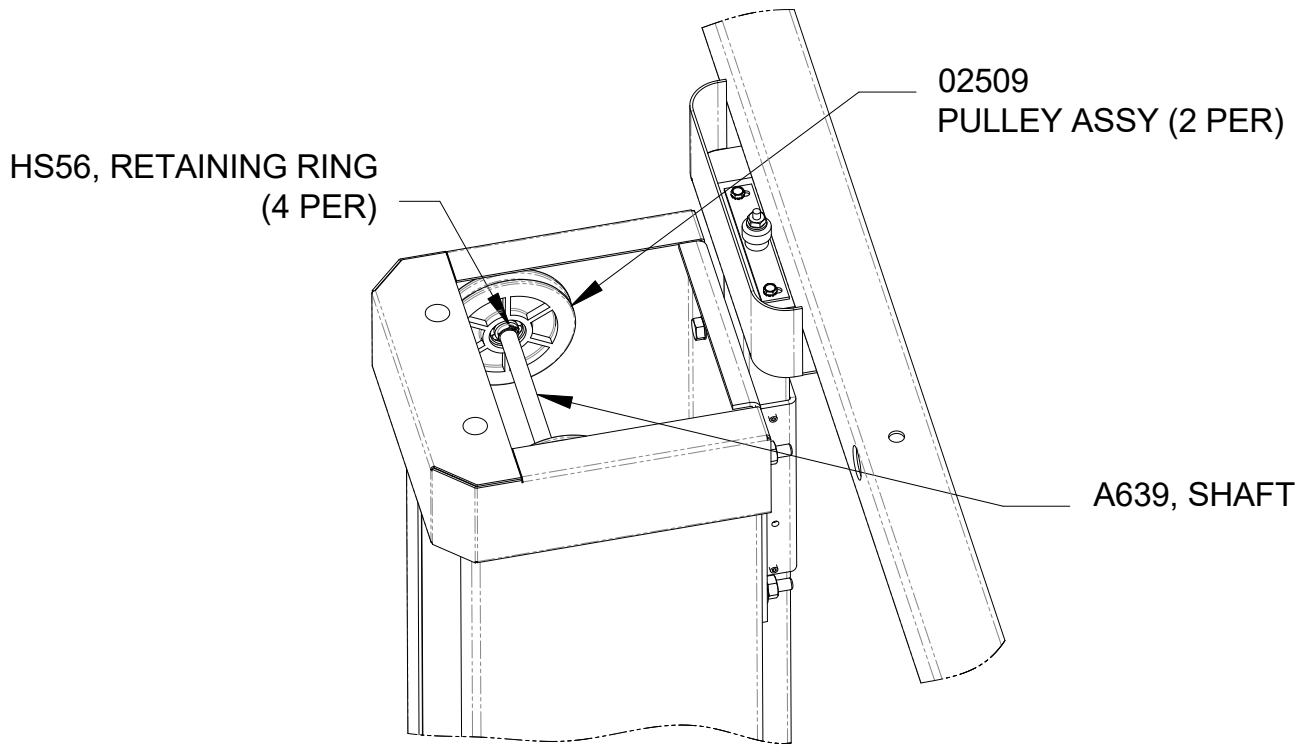


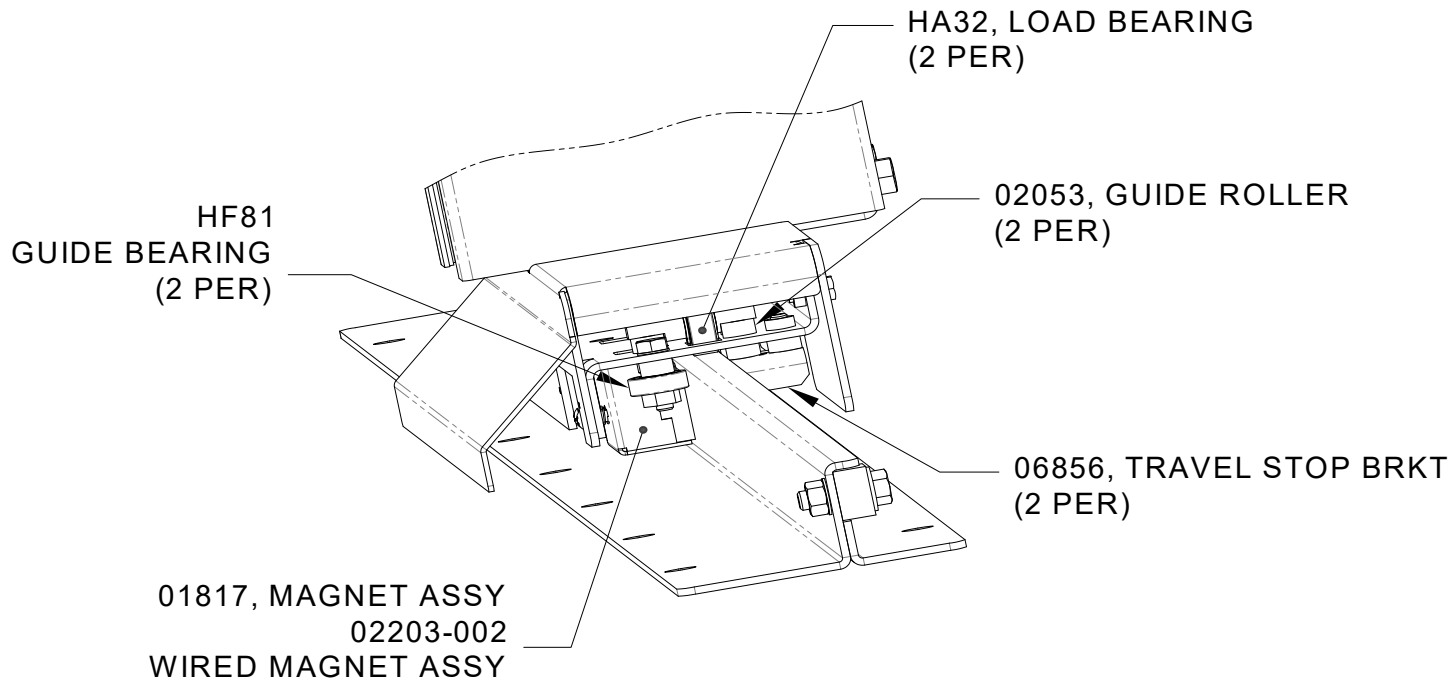
REPLACEMENT PART GUIDE – S114

See graphics on the following pages for Summit part numbers and descriptions of service parts.
Valid for product manufactured 12/1/2014 to present.









BEFORE 9/29/2014:
D120-02, ASSY, LOCK (HORIZ)