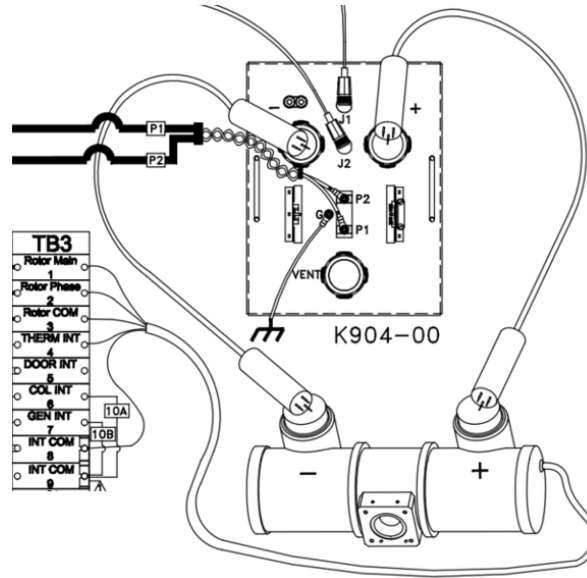


Troubleshooting Guide


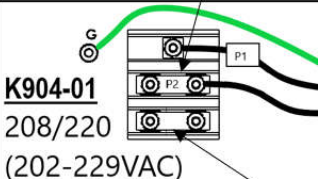
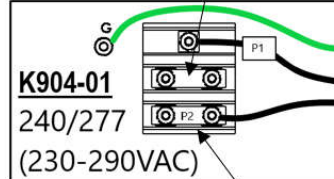
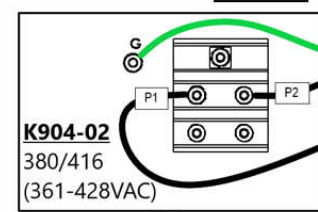
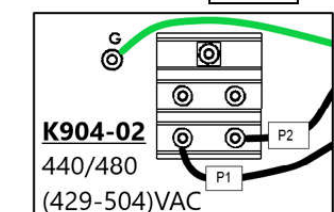
E58 mA TOO LOW ERROR

No mA or Low mA Output.

1. Anode and Cathode HV cables reversed.



2. Primary leads (P1 & P2) NOT connected at the HV Tank.

<p>Connect primary wires</p>	<ul style="list-style-type: none"> Remove cover and connect wires as shown, given the line voltage measured in step one. <p style="text-align: center;">  Must torque nuts to 45±5 in-lbs. Excessive torque WILL break brass studs </p> <ul style="list-style-type: none"> Replace cover and install tank when done. <p>Note: - Verify bus bars are present on 208/220 & 240/277 configurations.</p>	<p style="text-align: center;">Bus Bar</p>  <p>K904-01 208/220 (202-229VAC)</p>	<p style="text-align: center;">Bus Bar</p>  <p>K904-01 240/277 (230-290VAC)</p>
		<p style="text-align: center;">Bus Bar</p>  <p>K904-02 380/416 (361-428VAC)</p>	<p style="text-align: center;">Bus Bar</p>  <p>K904-02 440/480 (429-504)VAC</p>

3. X-ray tube was not calibrated.
4. X-ray tube defective.