

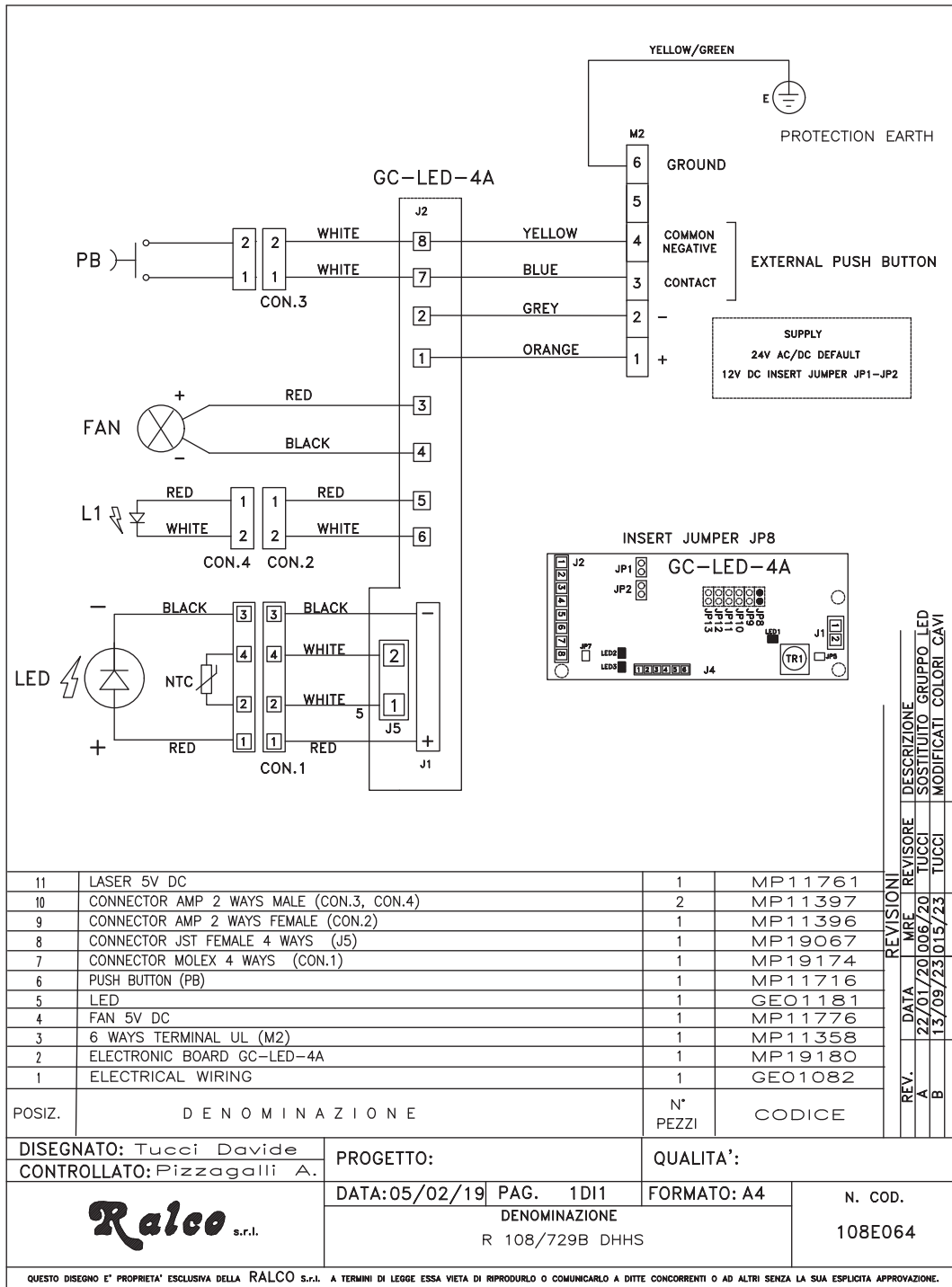
## DESCRIPTION

This collimator is equipped with the following optional items; a detailed description is provided within this “Personalizations” document or within the Instruction Manual, Chapter “Optional Items”.

RO	DESCRIPTION
RO 096	Wiring customization
RO 111	Front panel customization
RO 318	Self-centering top-cover bracket; Resin rotating mounting flange: 20mm thickness, 0° detent, 140mm diameter
RO 442	Resin rotating mounting flange: 20mm thickness, +/-90° detent, 140mm diameter
RO 586	Single laser line to align collimator and detector center: Class 1

# INSTALLATION

## WIRING DIAGRAM



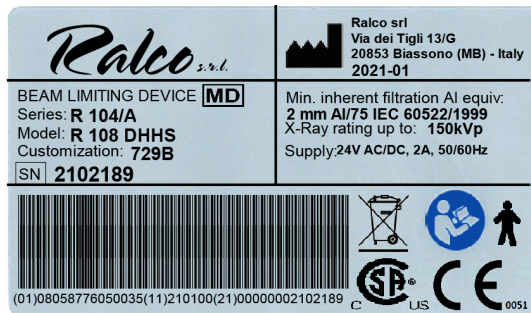
## SPARE PARTS

### NOTE



When ordering spare parts, customers are kindly requested to specify collimator model and serial number.

## LABEL

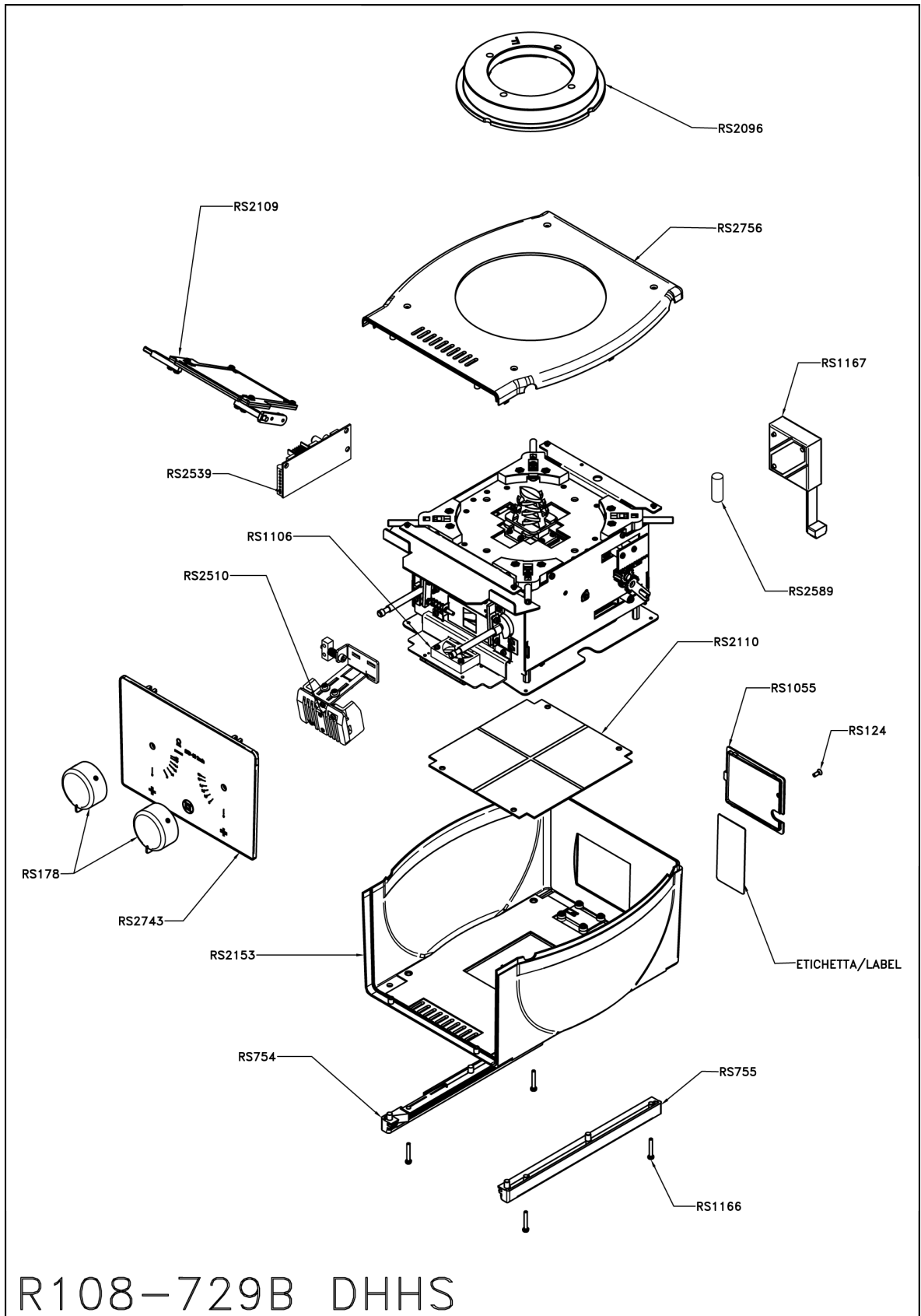


## R 108/729B DHHS - SPARE PARTS

RS CODE	DESCRIPTION
RS 124	Screw, TS M3x8 mm
RS 178	Knob
RS 754	Right accessory guide
RS 755	Left accessory guide
RS 1055	Rear panel
RS 1106	Fan
RS 1166	Screw, TC M3x20mm
RS 1167	Retractable tape measure
RS 2096	Mounting flange

RS CODE	DESCRIPTION
RS 2109	Mirror, 1.7 mm thickness
RS 2110	Antidust panel
RS 2153	Lower cover
RS 2539	LED board
RS 2589	Laser
RS 2743	Front panel
RS 2748	LED
RS 2756	Upper cover

**PARTS BREAKDOWN**



R 108/729B DHHS - SPARE PARTS

**Date of Issue**

**13.03.2019**

**Revision Level**

- A - MRM/141/19**
- MRM/179/19**
- B - MRE/006/20**
- C - MRM/140/19**
- D - MRD/001/21**
- E - MRE/015/23**

**Issued by**

