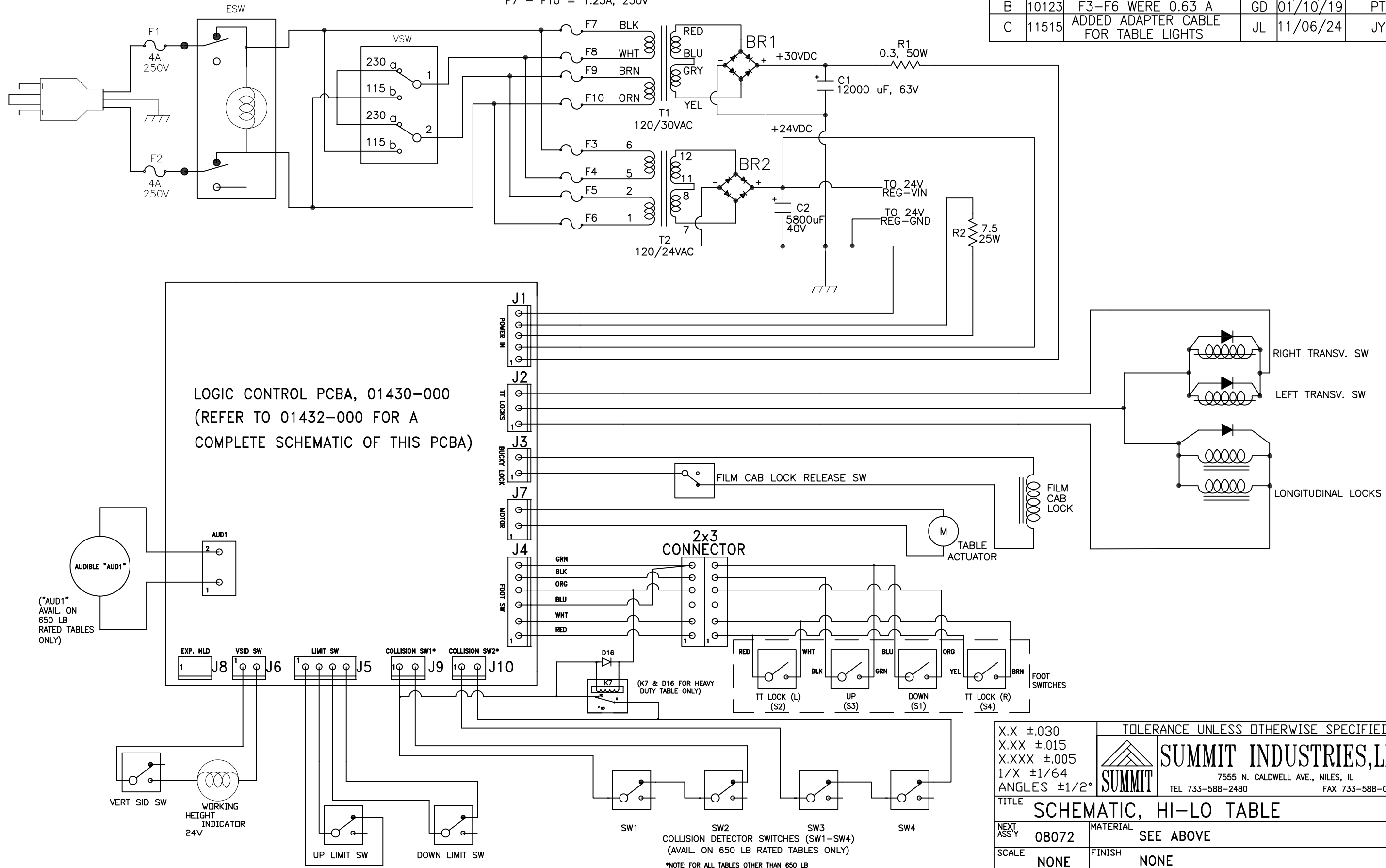


F3 - F6 = 600mA, 250V
 F7 - F10 = 1.25A, 250V

PART NO. 08071 REV C

LTR	ECR	REVISION	BY	DATE	CHKD BY
A	9877	PRODUCTION RELEASE	GD	10/09/18	SC
B	10123	F3-F6 WERE 0.63 A	GD	01/10/19	PT
C	11515	ADDED ADAPTER CABLE FOR TABLE LIGHTS	JL	11/06/24	JY



LOGIC CONTROL PCBA, 01430-000
 (REFER TO 01432-000 FOR A COMPLETE SCHEMATIC OF THIS PCBA)

("AUD1" AVAIL. ON 650 LB RATED TABLES ONLY)

(K7 & D16 FOR HEAVY DUTY TABLE ONLY)

*NOTE: FOR ALL TABLES OTHER THAN 650 LB ADD JUMPER WIRES TO J9 AND J10, PINS 1 & 2

X.X ±.030		TOLERANCE UNLESS OTHERWISE SPECIFIED	
X.XX ±.015		SUMMIT INDUSTRIES, LLC 7555 N. CALDWELL AVE., NILES, IL TEL 733-588-2480 FAX 733-588-0983	
X.XXX ±.005			
1/X ±1/64			
ANGLES ±1/2°		TITLE SCHEMATIC, HI-LO TABLE	
NEXT ASSY	08072	MATERIAL	SEE ABOVE
SCALE	NONE	FINISH	NONE
DWG BY	GD	DATE	10/09/18
APPROVED	SC	DATE	10/09/18
SIZE	B	SHEET	1 OF 1
PART NO.	08071	REV	C