

**Chapter VII:**  
***SCHEMATIC DRAWINGS INDEX***

Chapter VII: ..... 1

    CB0384 – AC/DC POWER SUPPLY DIAGRAM – HM “C” ..... 3

    CB0385 – SERIAL AND CAN BUS LINES CONNECTIONS DIAGRAM – HM “C” ..... 4

    CB0386 – REAL TIME DIAGRAM – HM “C” ..... 5

    CB0391 – AC/DC POWER SUPPLY DIAGRAM – HM “C-BRAKES” ..... 6

    CB0392 – SERIAL AND CAN BUS LINES CONNECTIONS DIAGRAM – HM “C-BRAKES” ..... 7

    CB0393 – REAL TIME DIAGRAM – HM “C-BRAKES” ..... 8

    CB0388 – AC/DC POWER SUPPLY DIAGRAM - HM ..... 9

    CB0389 – SERIAL AND CAN BUS LINES CONNECTIONS DIAGRAM - HM ..... 10

    CB0390 – REAL TIME DIAGRAM - HM ..... 11

    CB0387 – PE DIAGRAM HM ..... 12

    CB0394 – SAFETY DIAGRAM - HM ..... 13

    CB0395 – COMPUTER AND LAN/VIDEO DIAGRAM – HM (AWS) ..... 14

    CB0396 – COMPUTER AND LAN/VIDEO DIAGRAM – HM (CONSOLE) ..... 15

    CB0367: DISTRIBUTION BACK PANEL (24VDC) ..... 16

    CB0364: VOLTAGE DISTRIBUTION PANEL (PNE CONFIGURATION) ..... 17

    CB0280: X-RAY BUTTON WIRING ..... 18

    CB0379: SOLENOID-USWITCH GROUP FOR EMERGENCY BRAKE CABLE ..... 19

    CB0371: MAMMO UNIT-AWS CONNECTIONS ..... 20

    CB0370: DISTRIBUTION PANEL 24V – AWS (HM) WIRING ..... 21

    CB0321: X-RAY PEDAL AWS 4U WIRING ..... 22

    CB0322: POTTER PMD2/2D WIRING ..... 23

    CB0323: POTTER PMD2/3D WIRING ..... 24

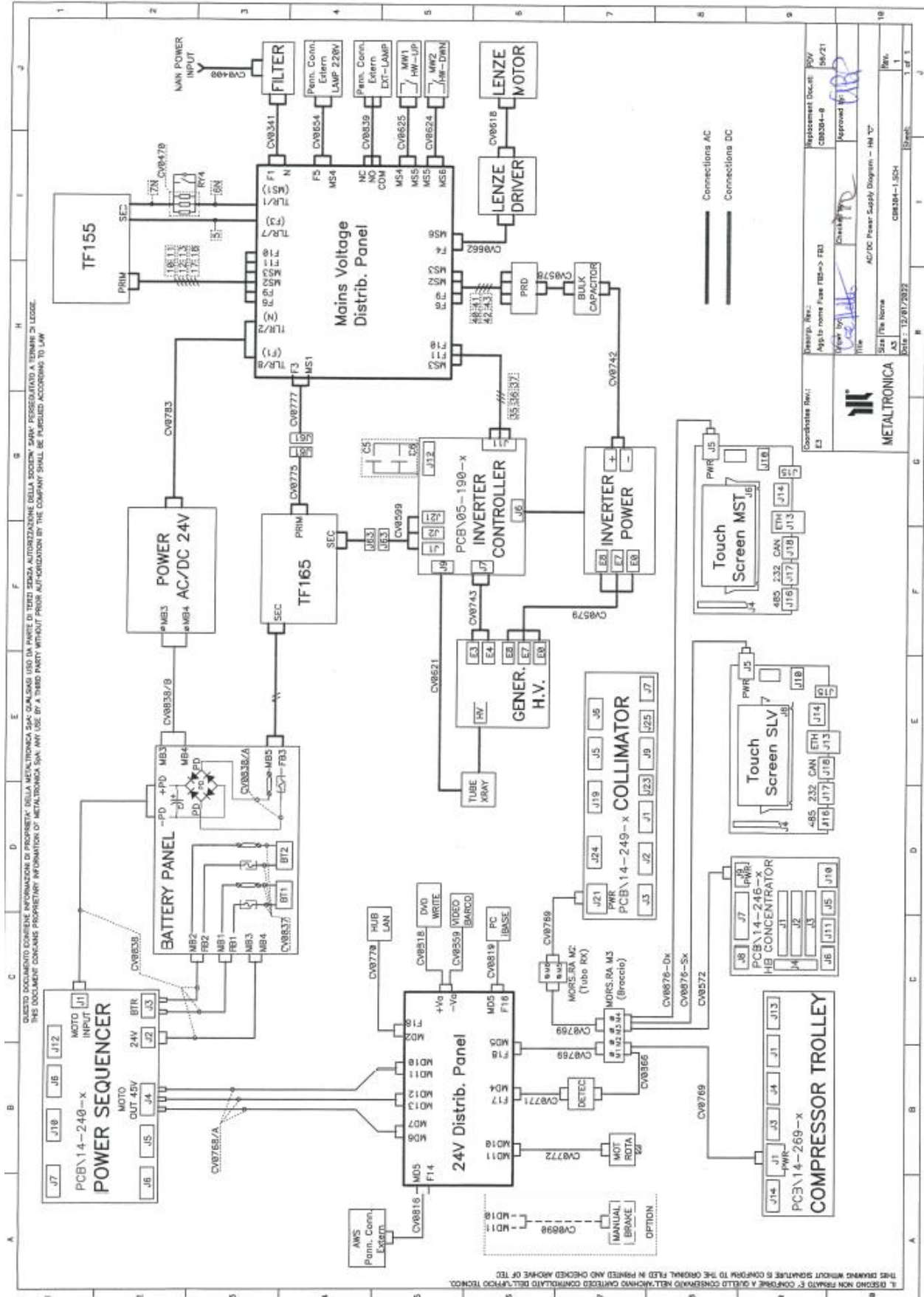
    CB0324: MAGNIFIER WIRING ..... 25

    CB0325: SBD WIRING ..... 26

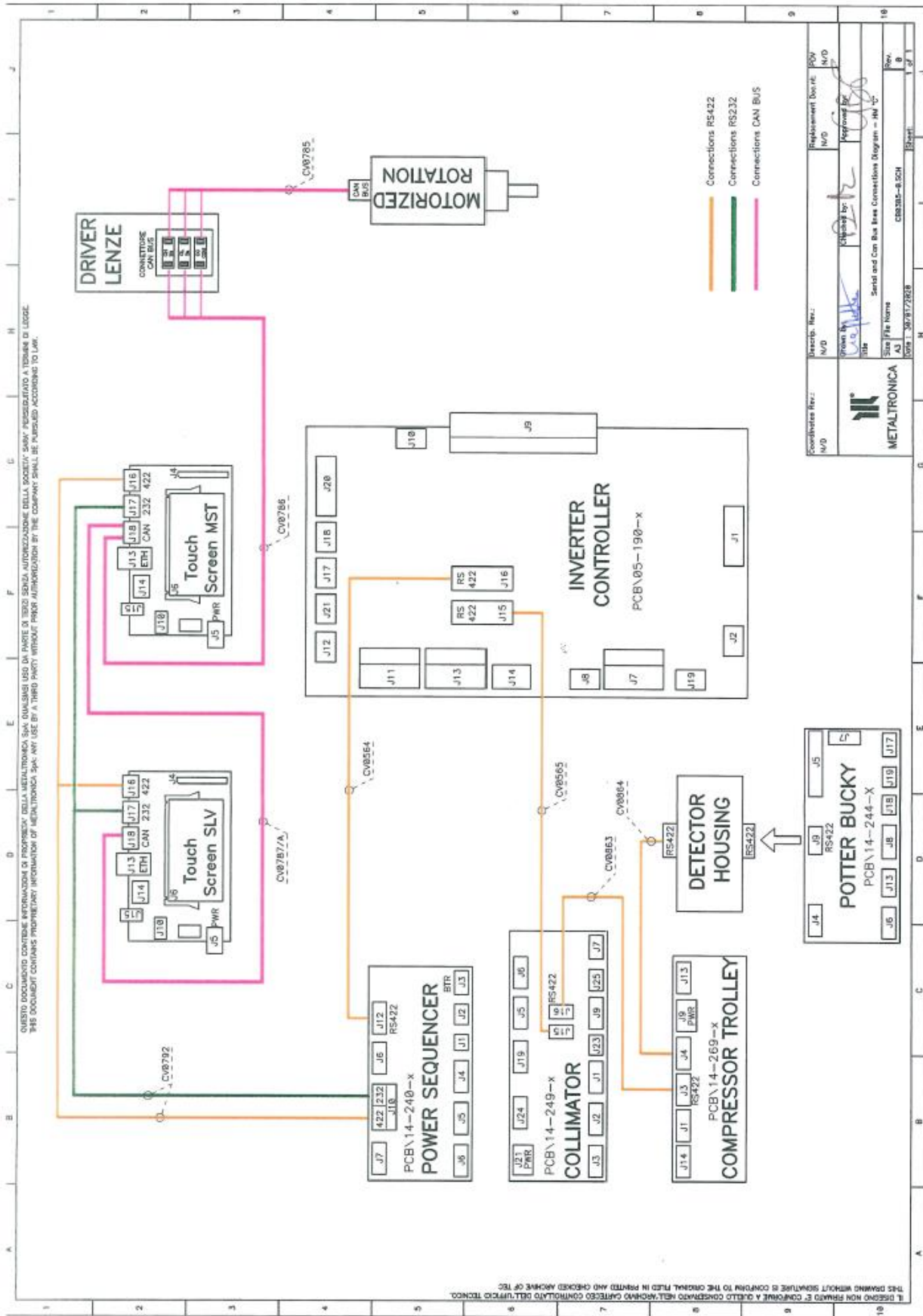
    CB0326: SBD WIRING ..... 27

HELIANTHUS C

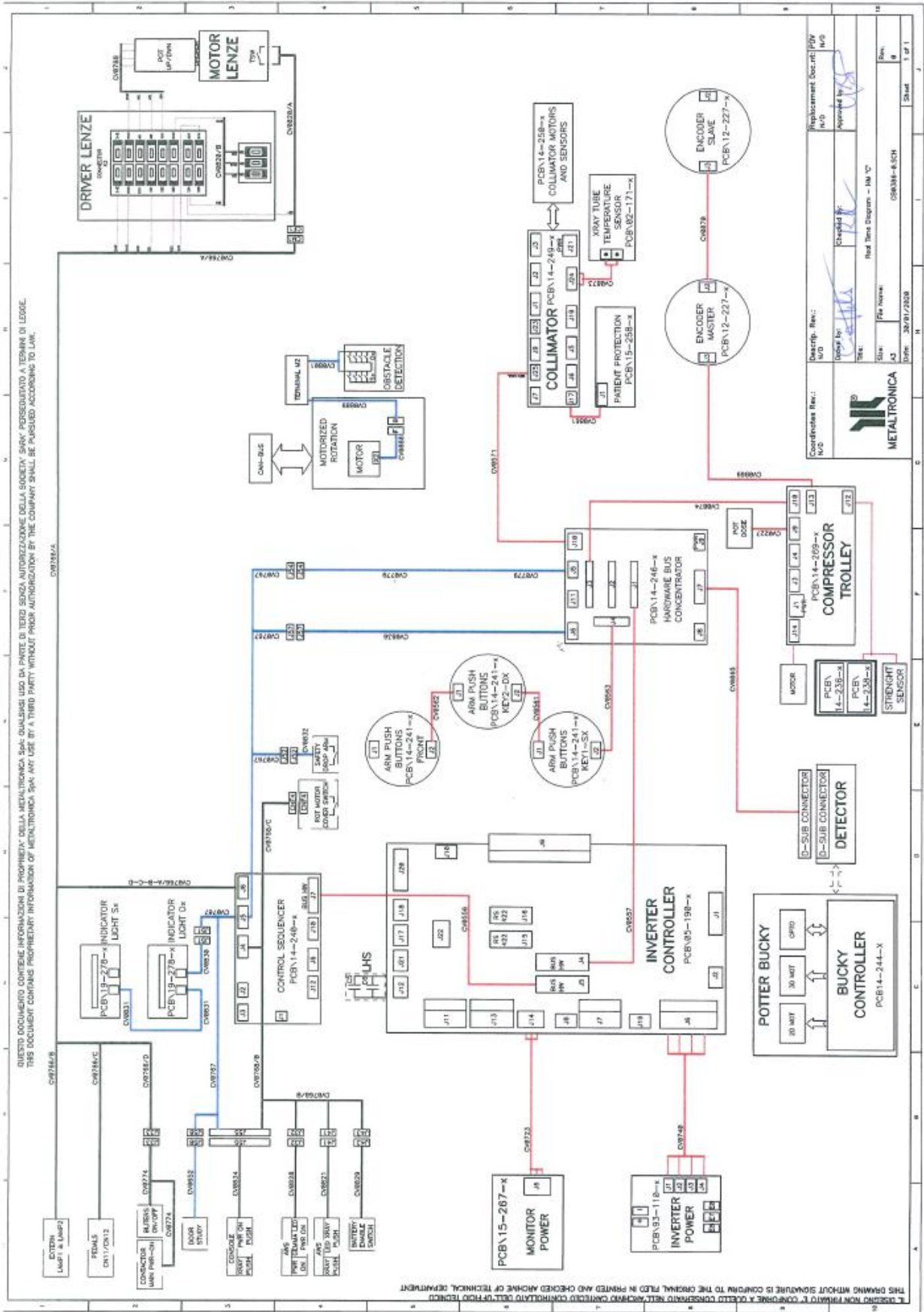
**CB0384 – AC/DC Power Supply Diagram – HM “C”**



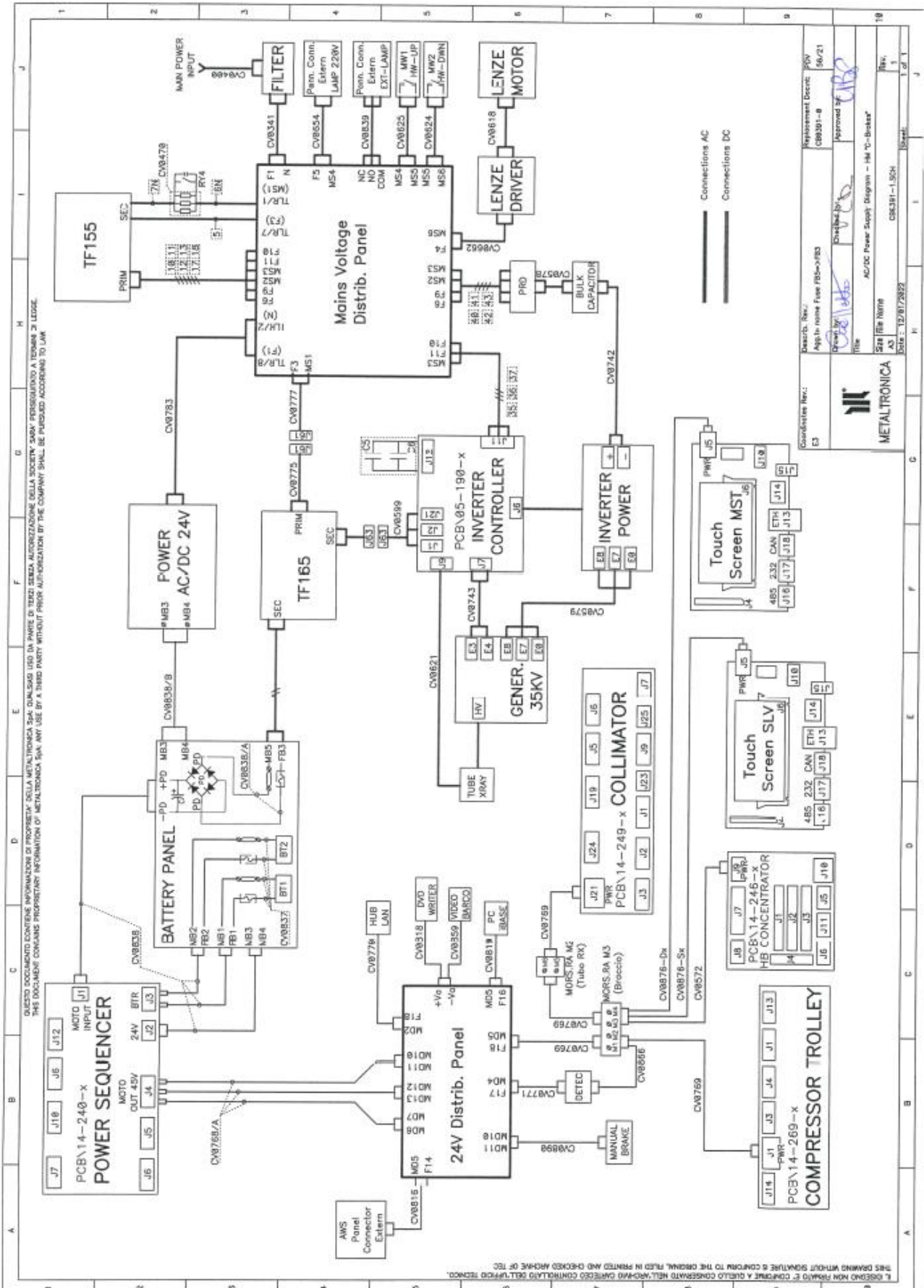
# CB0385 – Serial and Can Bus lines Connections Diagram – HM “C”



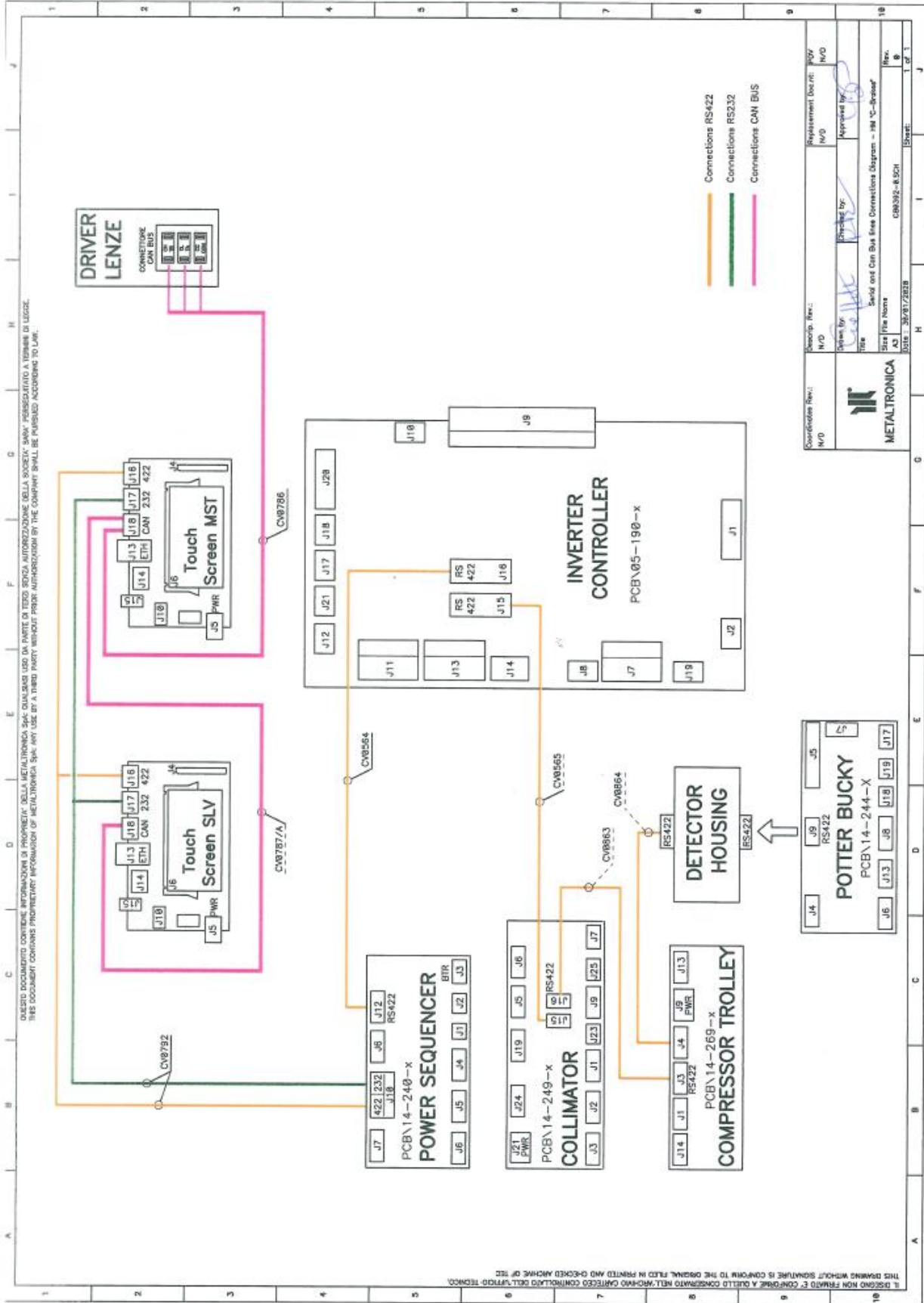
# CB0386 – Real Time Diagram – HM “C”



# CB0391 – AC/DC Power Supply Diagram – HM “C-Brakes”



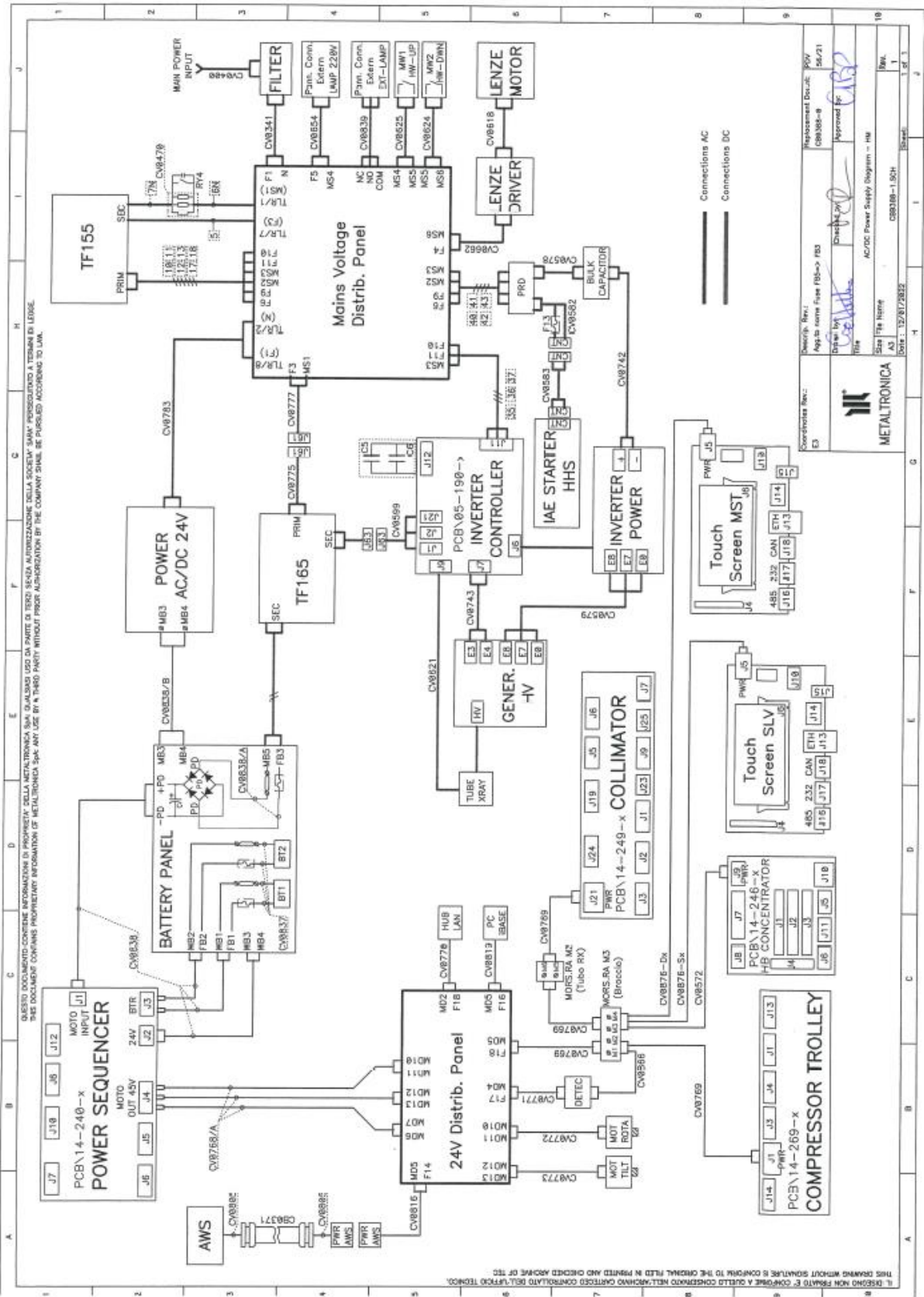
# CB0392 – Serial and Can Bus lines Connections Diagram – HM “C-Brakes”



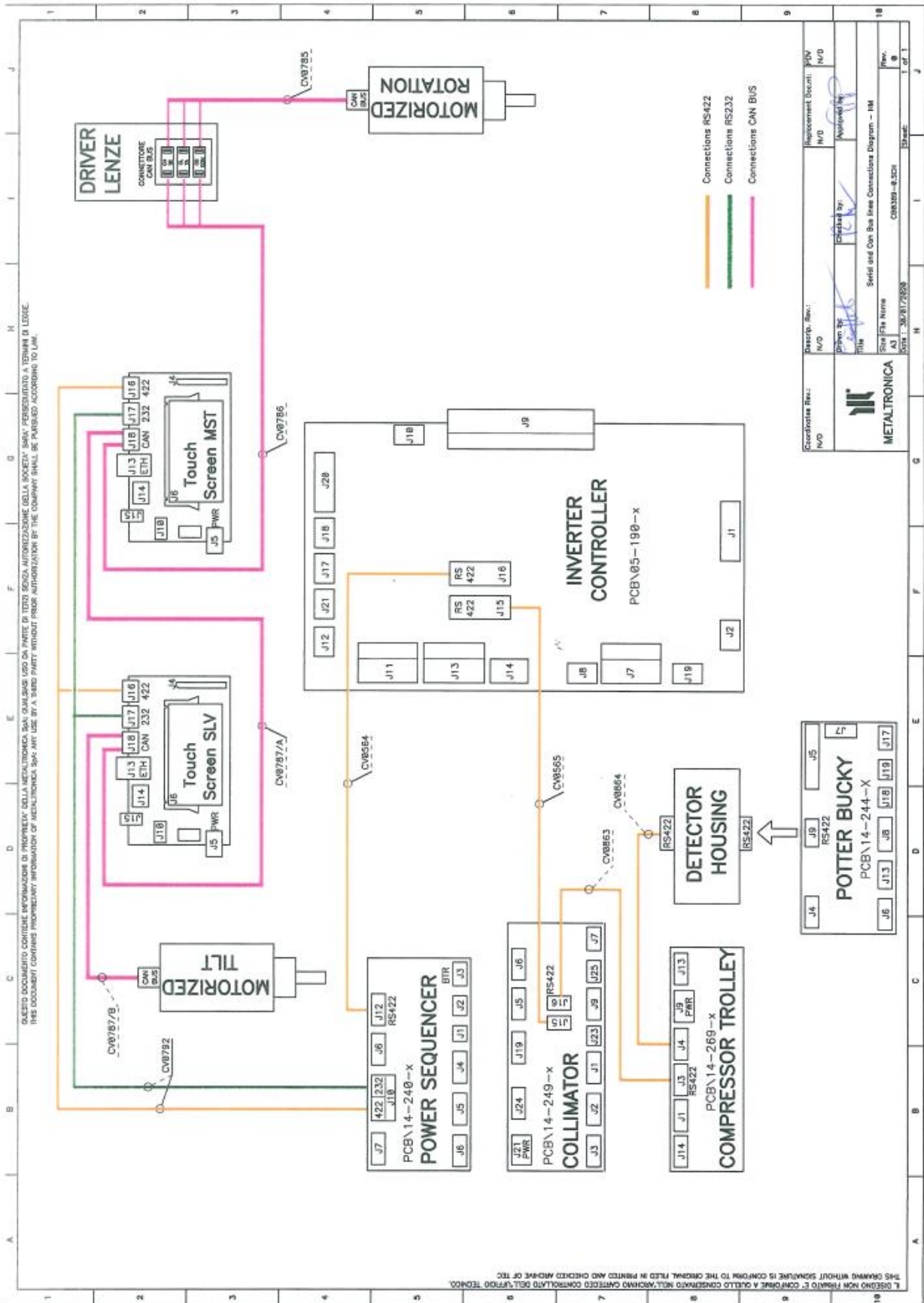


# HELIANTHUS DBT

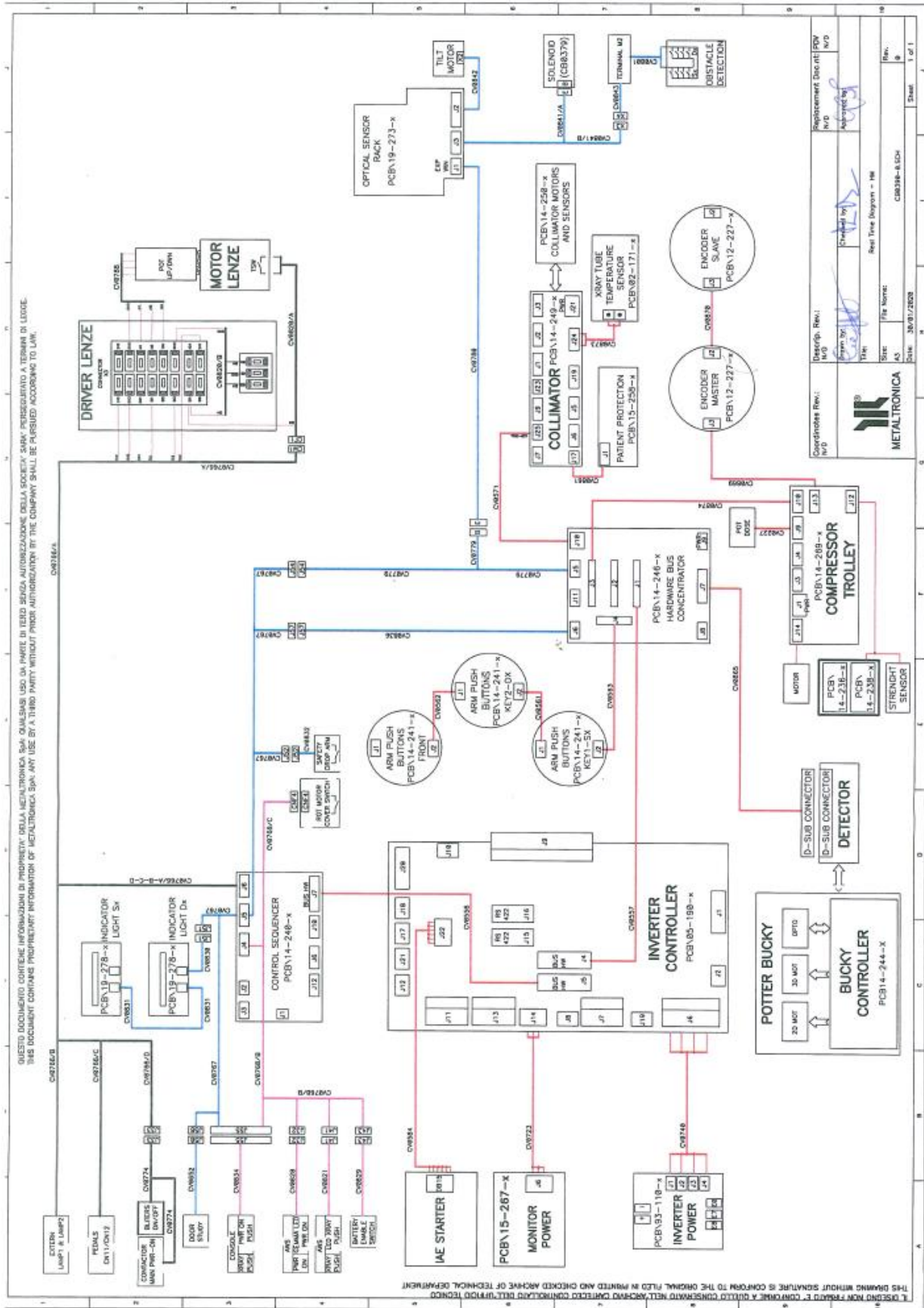
## CB0388 – AC/DC Power Supply Diagram - HM



# CB0389 – Serial and Can Bus lines Connections Diagram - HM

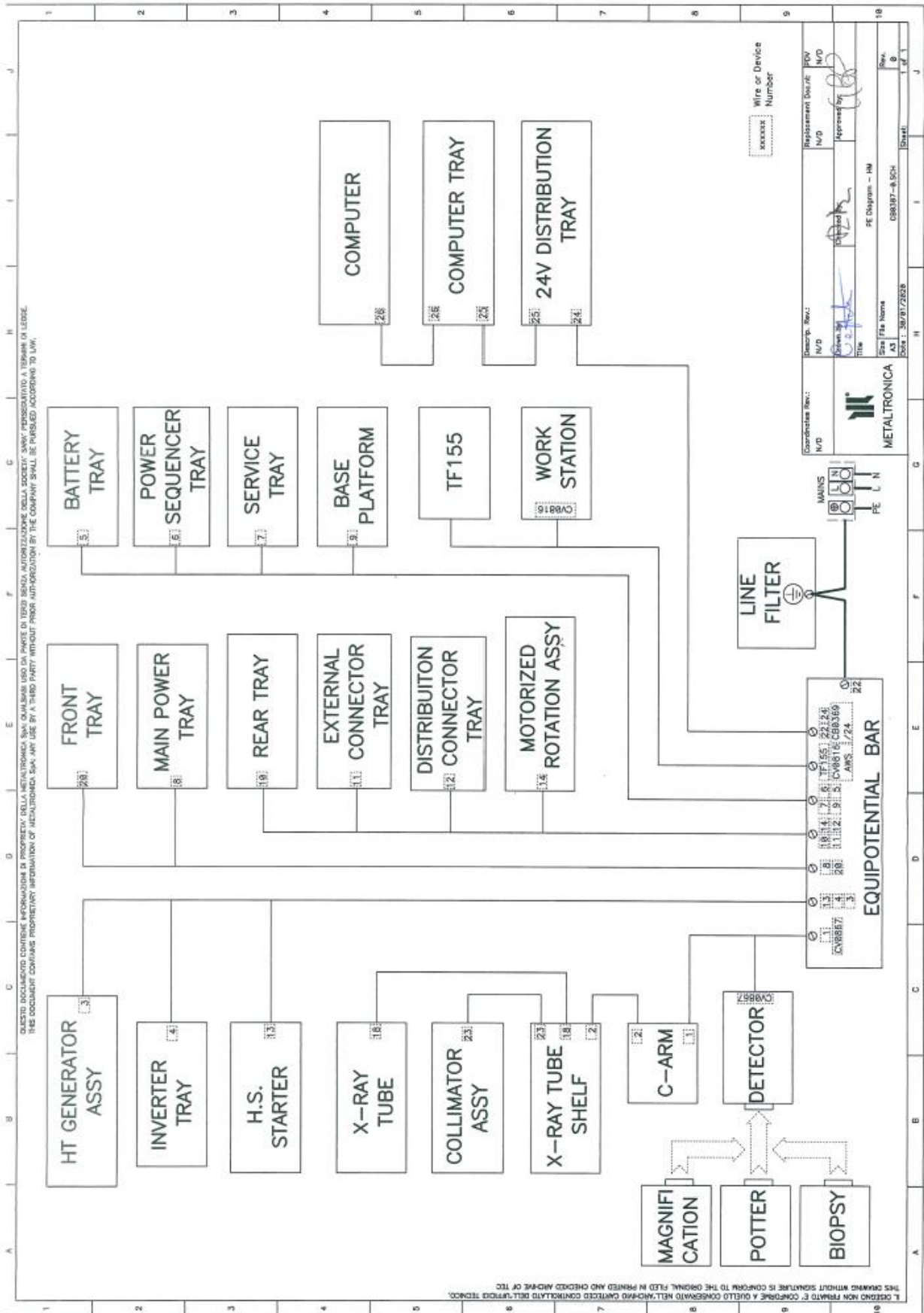


# CB0390 – Real Time Diagram - HM

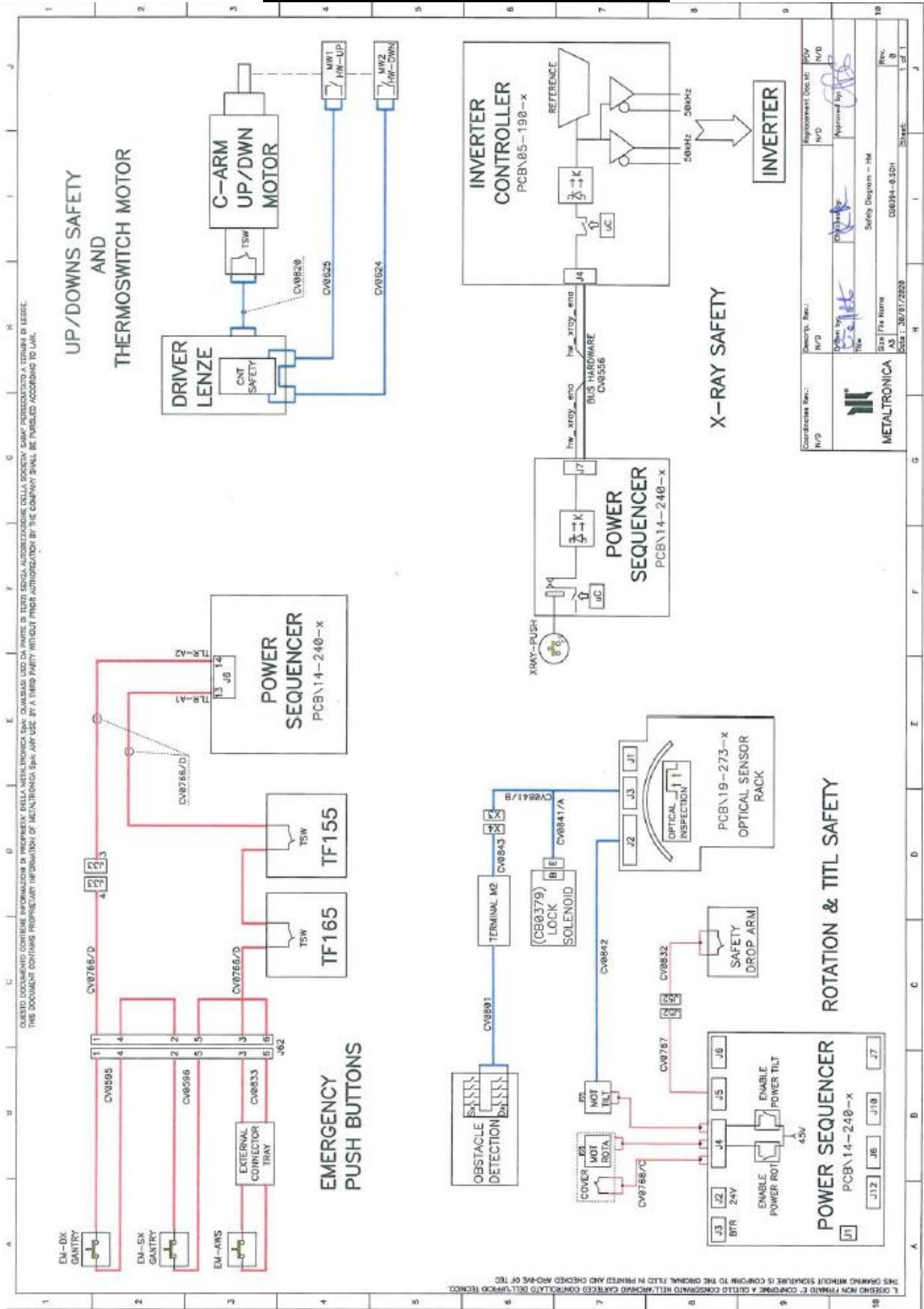


# COMMON FOR ALL CONFIGURATIONS

## CB0387 – PE Diagram HM

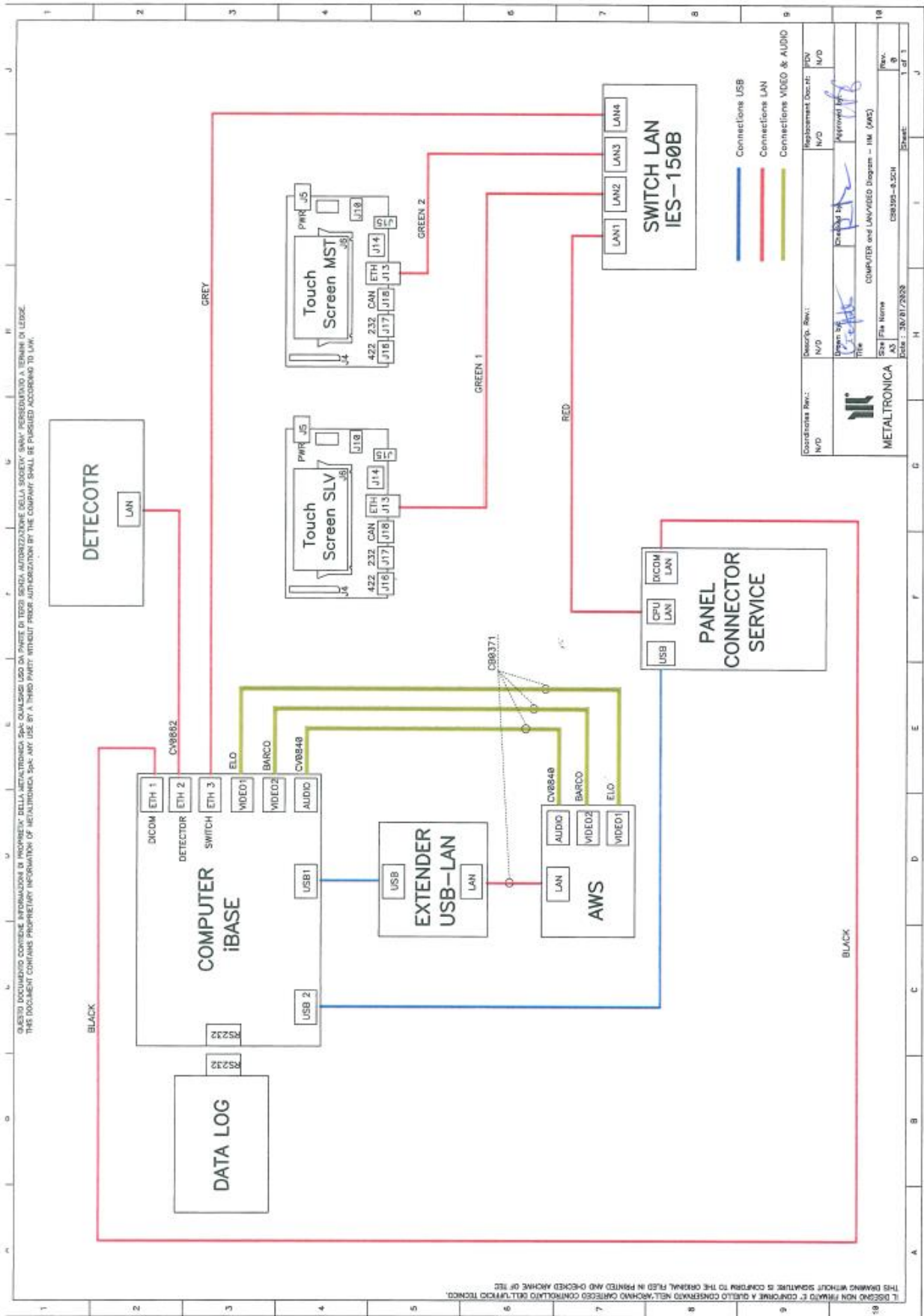


### CB0394 – Safety Diagram - HM



Coordination Rev:	N/D	Design Rev:	N/D
Approval Loc. At:	N/D	Approved by:	[Signature]
Drawn by:	[Signature]	Checked by:	[Signature]
Scale File Name:	AS	Doc. No.:	CB0394-83DH
Doc. Title:	Safety Diagram - HM	Sheet:	1 of 1
<b>METALTRONICA</b>			

# CB0395 – Computer and LAN/Video Diagram – HM (AWS)

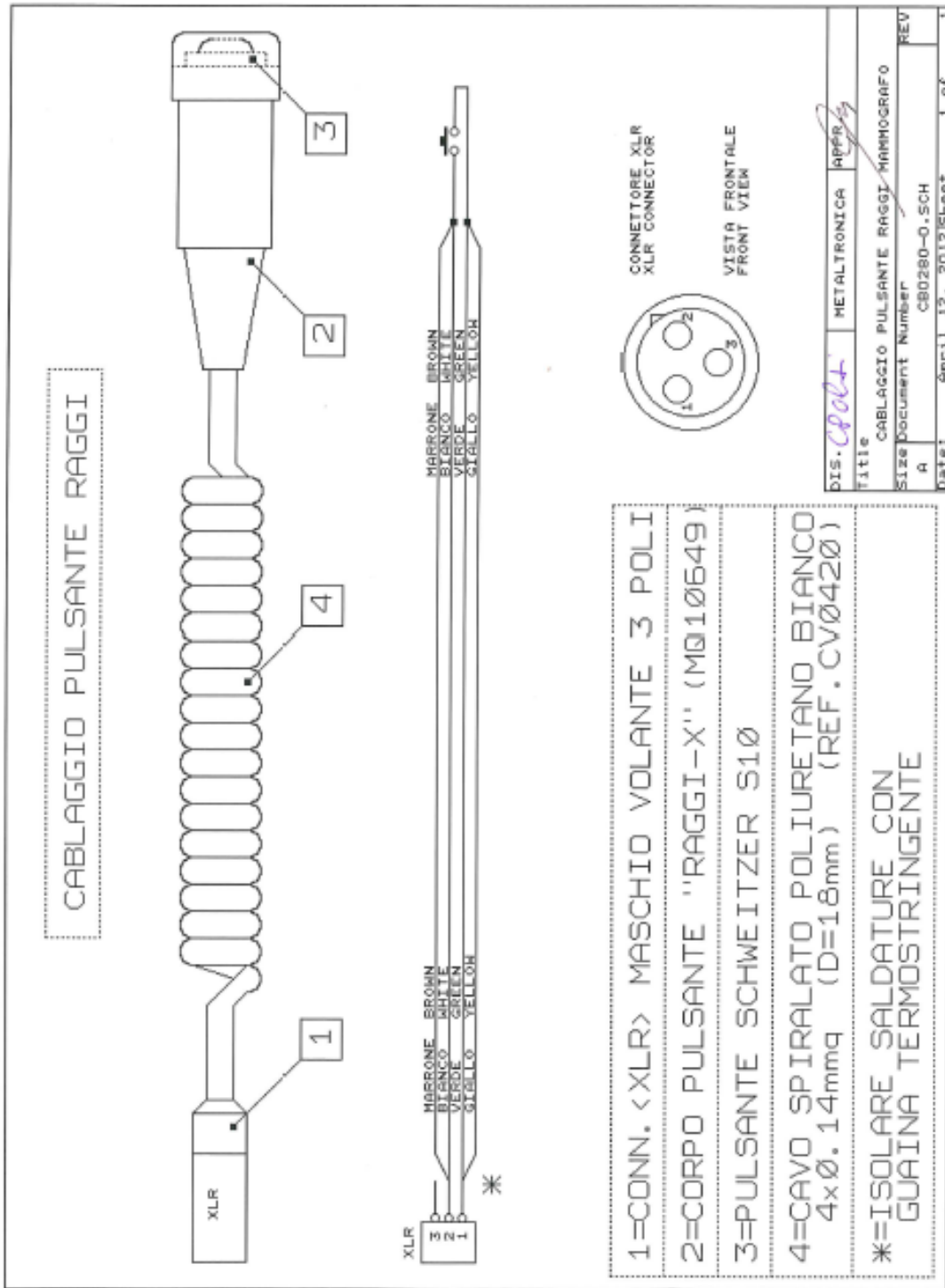








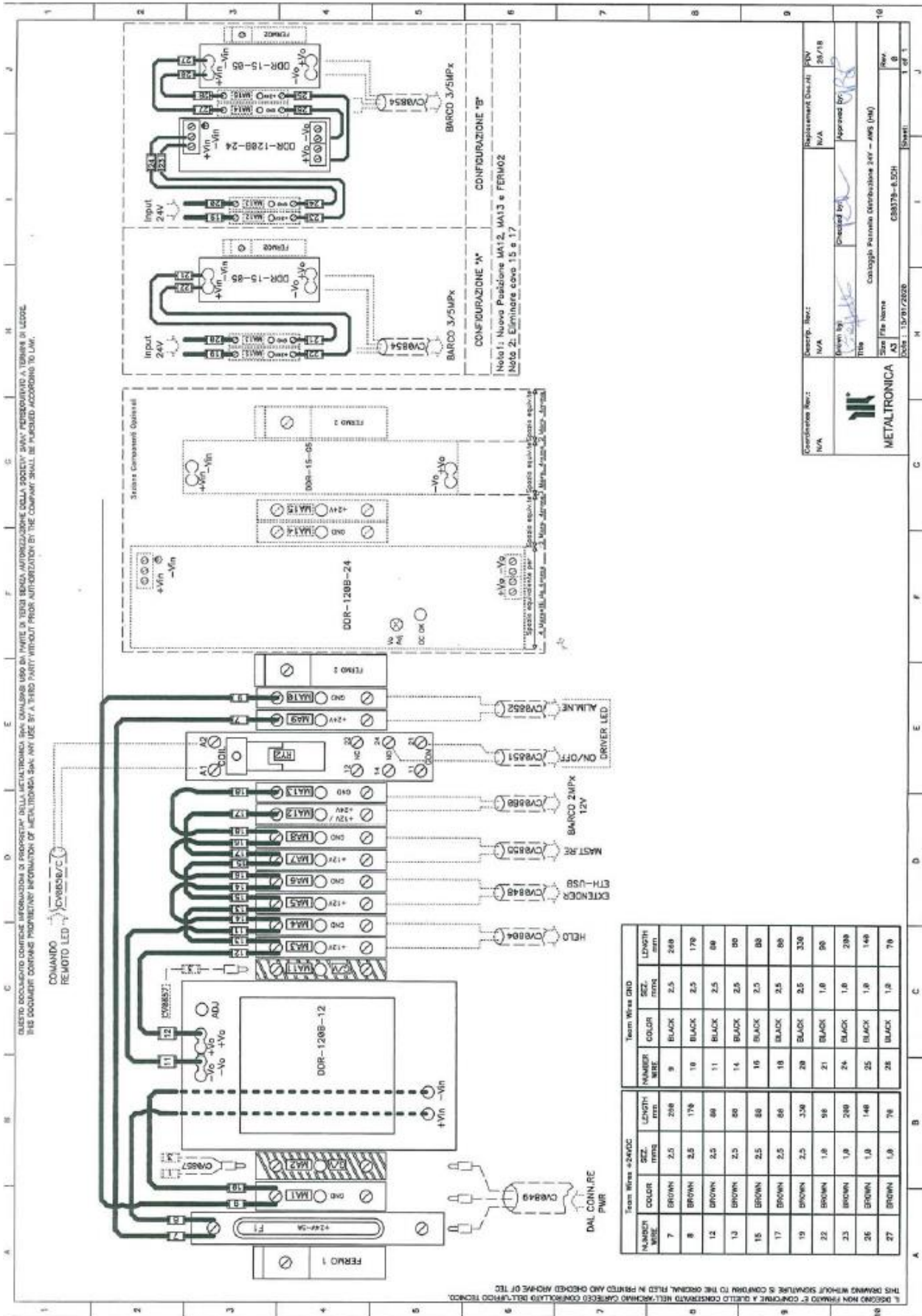
**CB0280: X-Ray Button wiring**







# CB0370: Distribution Panel 24V – AWS (HM) wiring



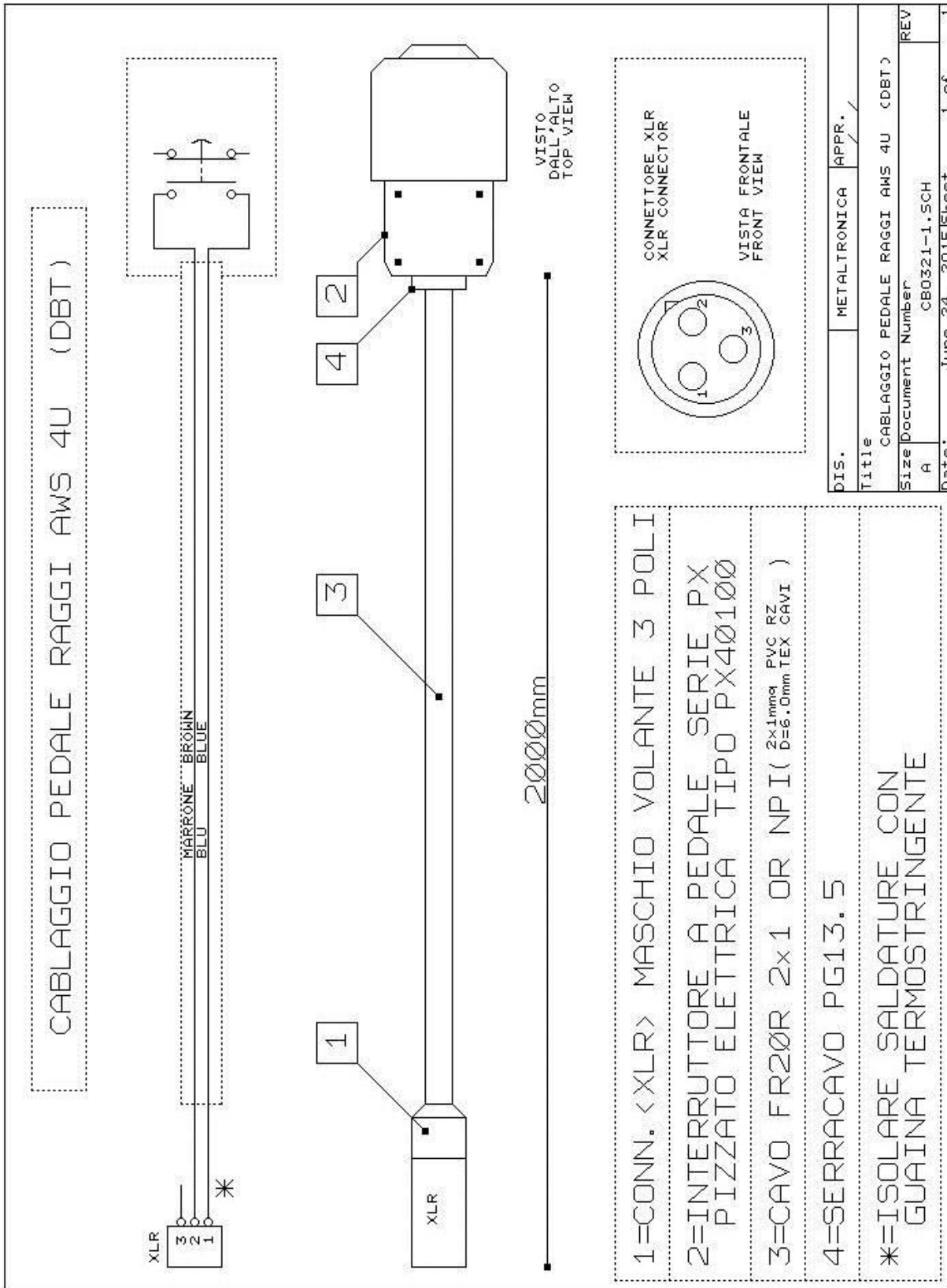
Term Wire +BACC				Term Wire GND			
NUMBER	WIRE	LENTH	SEZ.	NUMBER	WIRE	LENTH	SEZ.
		mm	mm <sup>2</sup>			mm	mm <sup>2</sup>
7	BROWN	2,5	258	9	BLACK	2,5	260
8	BROWN	2,5	178	10	BLACK	2,5	179
12	BROWN	2,5	66	11	BLACK	2,5	66
13	BROWN	2,5	66	14	BLACK	2,5	66
15	BROWN	2,5	66	16	BLACK	2,5	66
17	BROWN	2,5	66	18	BLACK	2,5	66
19	BROWN	2,5	330	20	BLACK	2,5	330
22	BROWN	1,8	96	21	BLACK	1,8	96
23	BROWN	1,8	260	24	BLACK	1,8	260
26	BROWN	1,8	146	25	BLACK	1,8	146
27	BROWN	1,8	76	26	BLACK	1,8	76

**Condizione Rev.:** N/A  
**Descr. Rev.:** N/A  
**Revision:** 01  
**Checked by:** [Signature]  
**Approved by:** [Signature]  
**Title:** Casalingo Paralelo Distribuzione 24V – AWS (HM)  
**Size:** A3  
**File Name:** CB0370-A.SCH  
**Date:** 15/01/2020  
**Sheet:** 1 of 1

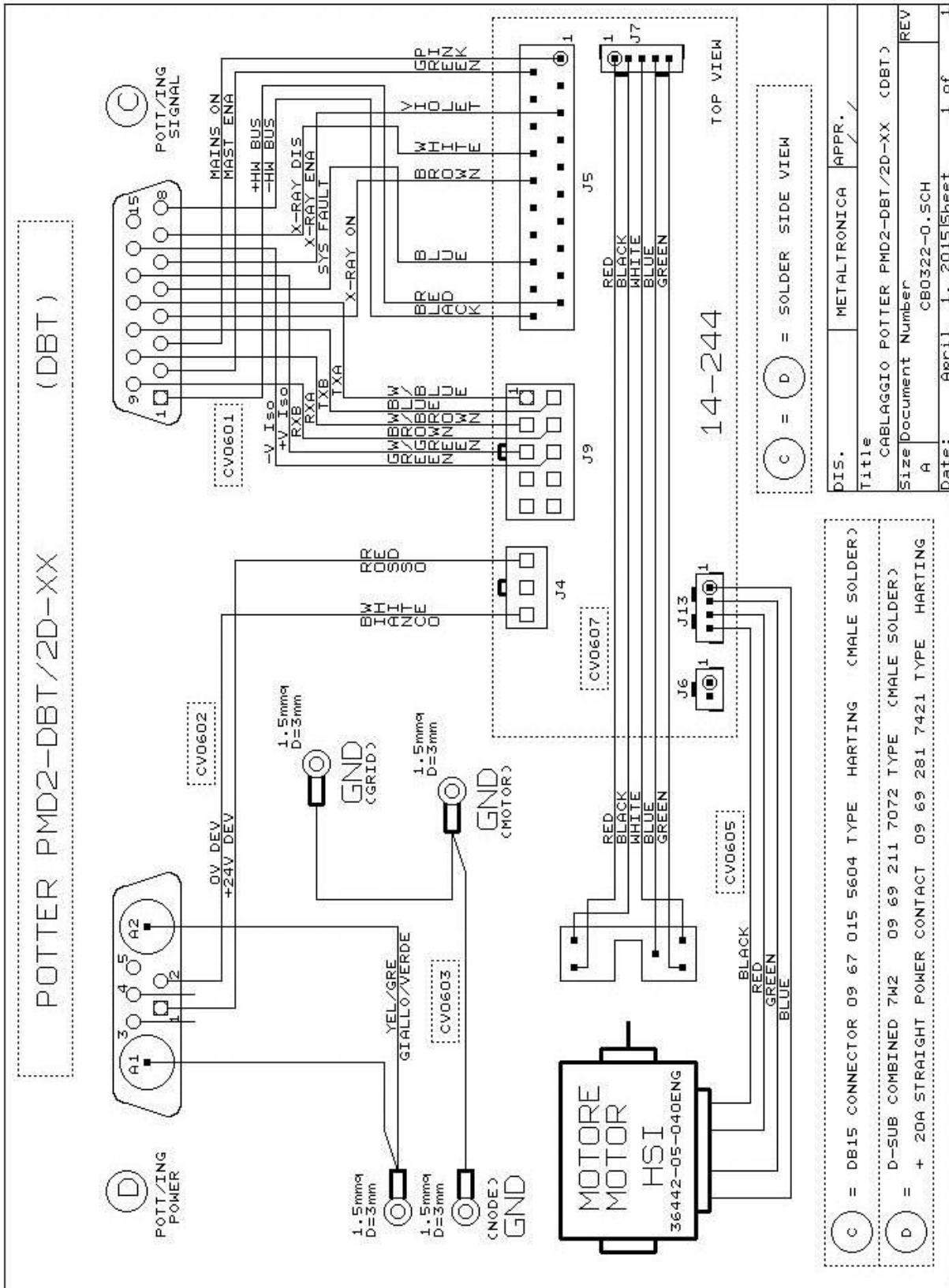
**METALTRONICA**  
 Revision: 26/18

COMPONENTS

**CB0321: X-Ray pedal AWS 4U wiring**

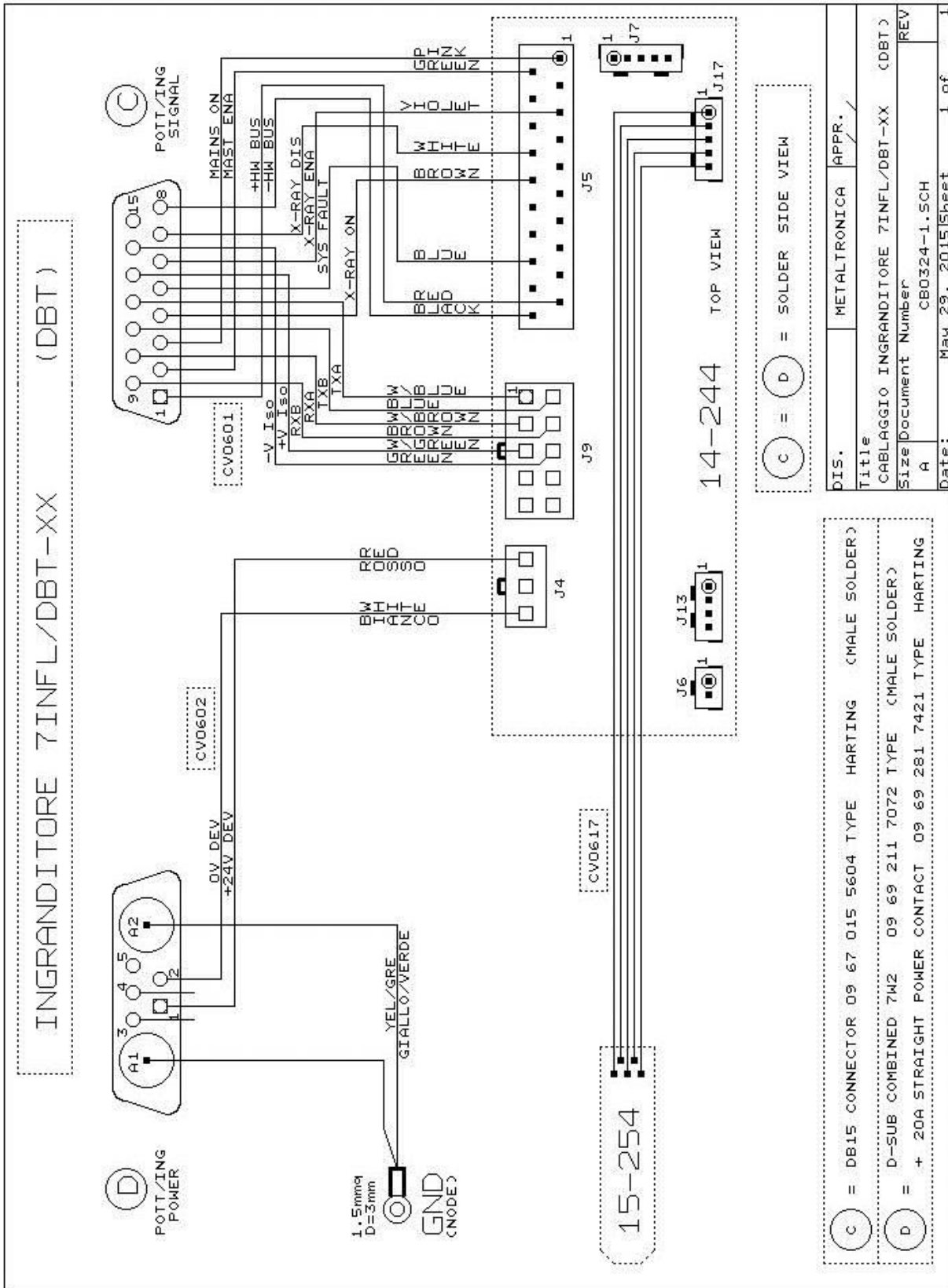


### CB0322: Potter PMD2/2D wiring



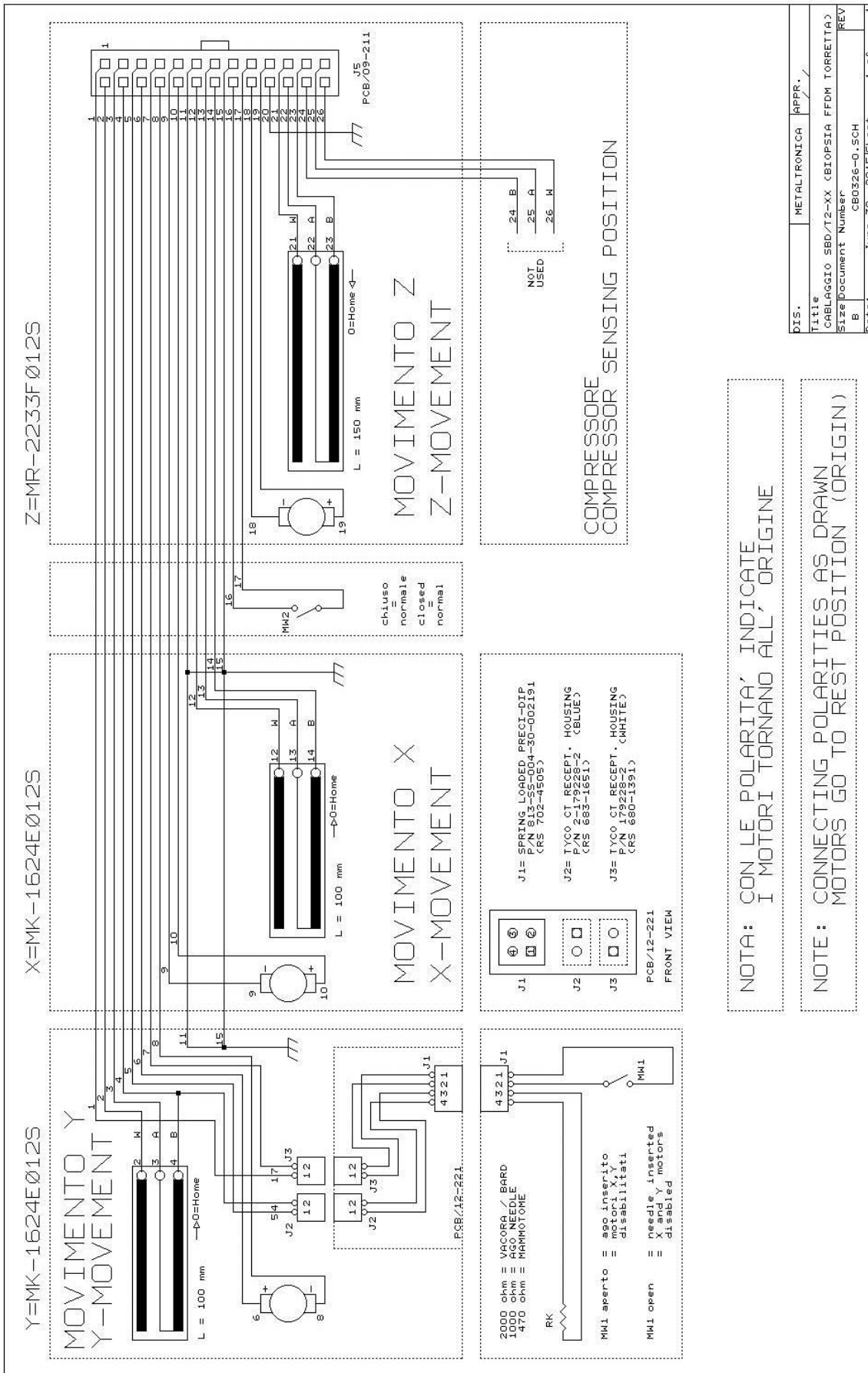


**CB0324: Magnifier wiring**





### CB0326: SBD Wiring



NOTA: CON LE POLARITA' INDICATE I MOTORI TORNANO ALL' ORIGINE

NOTE: CONNECTING POLARITIES AS DRAWN MOTORS GO TO REST POSITION (ORIGIN)