

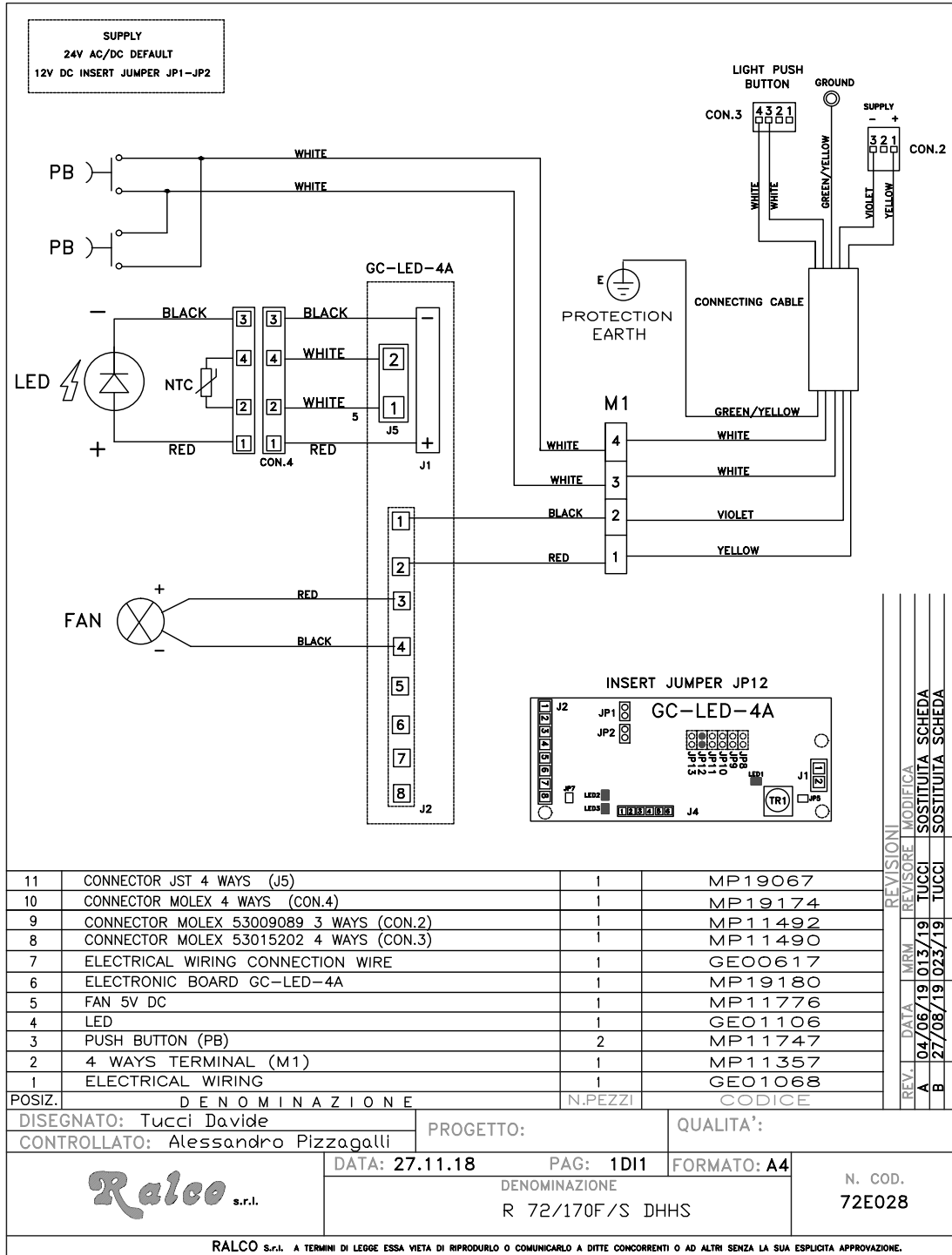
DESCRIPTION

This collimator is equipped with the following optional items; a detailed description is provided within this **PERSONALIZATIONS** document or within the Instruction Manual, chapter **OPTIONAL ITEMS**.

RO	DESCRIPTION
RO 096	Wiring customization
RO 447	Metal rotating mounting flange: 7mm thickness, +/-90° with mechanical stop, 89mm diameter

INSTALLATION

Wiring Diagram



R 72/170F/S DHHS - Installation

SPARE PARTS



WHEN ORDERING SPARE PARTS, THE CUSTOMER IS REQUESTED TO SPECIFY THE COLLIMATOR MODEL AND SERIAL NUMBER.

R72/170F/S DHHS

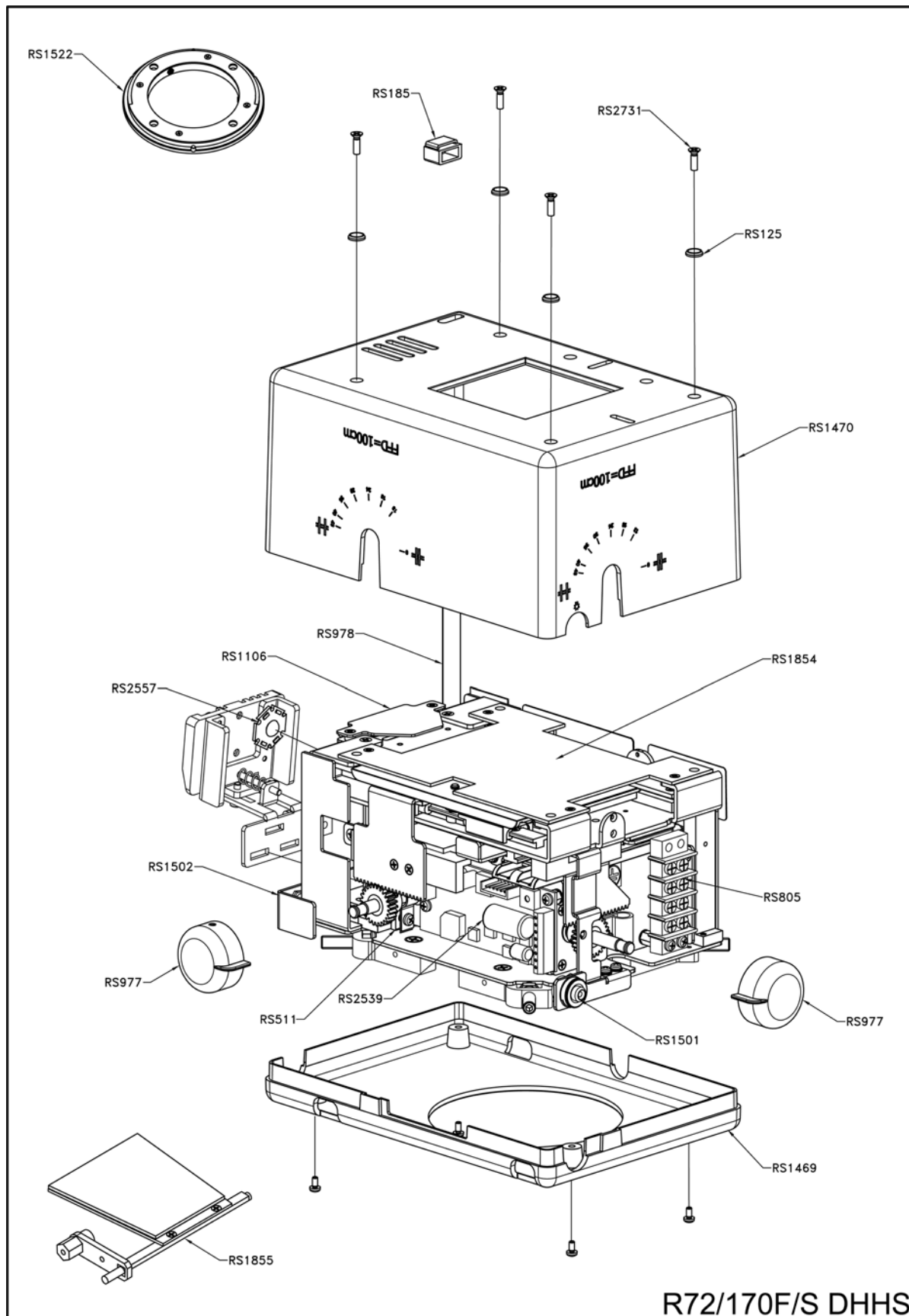
PN	DESCRIPTION
RS 125	Washer
RS 185	Tape measure knob
RS 511	Clutch
RS 805	4-way terminal
RS 977	Knob
RS 978	Retractable tape measure
RS 1106	LED fan
RS 1469	Upper cover
RS 1470	Lower cover
RS 1501	Pushbutton
RS 1502	Pushbutton
RS 1522	Mounting flange
RS 1854	Antidust panel
RS 1855	Mirror
RS 2539	LED board
RS 2557	LED
RS 2731	Screw, TS M3x12mm

LABEL

Manufactured by <i>Ralco</i> <small>srl</small> for SEDECAL	 Ralco srl Via dei Tigli 13/G 20853 Biassono (MB) - Italy 2021-01
BEAM LIMITING DEVICE MD Series: R 72 DHHS Model: R 72 S DHHS Customization: 170F SN 2000902	Min. inherent filtration Al equiv. 2 mm Al/75 IEC 60522/1999 X-Ray rating up to: 125kVp Supply: 24V AC/DC, 2A, 50/60Hz
(01)08058776050028(11)701000(21)00000002000902	C US 0051

R 72/170F/S DHHS - Spare Parts

PARTS BREAKDOWN



R 72/170F/S DHHS - Spare Parts

R72/170F/S DHHS

Date of Issue:
27.02.2019

Revision Level:
A - MRE/013/19
MRE/023/19
B - MRE/029/19
C - MRD/001/21

Issued by:

