

SHF BATTERY GENERATOR

RADIOGRAPHIC SPECIFICATIONS

Model	310 PSU	410 PSU	415 PSU	510 PSU	515 PSU
Part#	07163-001	07164-001	07164-003	07165-001	07165-003
Power	32kW	40kW	40kW	50kW	50kW
kVp Range	40-125	40-125	40-150	40-125	40-150
mA Range	10-400	10-500	10-500	10-500	10-500
mAs Range	0.1-500	0.1-500	0.1-500	0.1-500	0.1-500

- LINE CABLE included for USA 110 VAC.
- BATTERIES: 07485, Dry-Cell Lead ACID (PS-1290), 12V 9Ah, ¼" PO, 6" x 2.6 x 3.7h. Full set is 30 pcs.
- DUTY CYCLE: Continuous, Limited by capacity of the X-Ray Tube.
- BATTERY REQUIREMENTS FOR OPERATION:
 - Recharge the batteries for at least 30 minutes: (1) At the beginning of the day before use and (2) at the end of the day after use.
 - Fully recharge the batteries (8 hours): (1) if the generator is to be disconnected for more than 3 weeks or (2) if the generator has been disconnected for more than 3 weeks.
 - Keep the generator connected to power (mains) whenever possible. This will increase battery life.
 - Do not allow the batteries to be deeply discharged as storage capacity will diminish—they will never return to 100% original capacity.

ELECTRICAL SPECIFICATIONS

Circuit Breaker minimum rating (all voltages are single-phase, 50/60 Hz):

- 20A @ 110-120VAC (Recommend 12AWG Wire or bigger diameter)
- 12.5A @ 208VAC (Recommend 14AWG Wire or bigger diameter)
- 10A @ 220-240VAC (Recommend 14AWG Wire or bigger diameter)

Maximum Input Power (Momentary): 3.3kVA

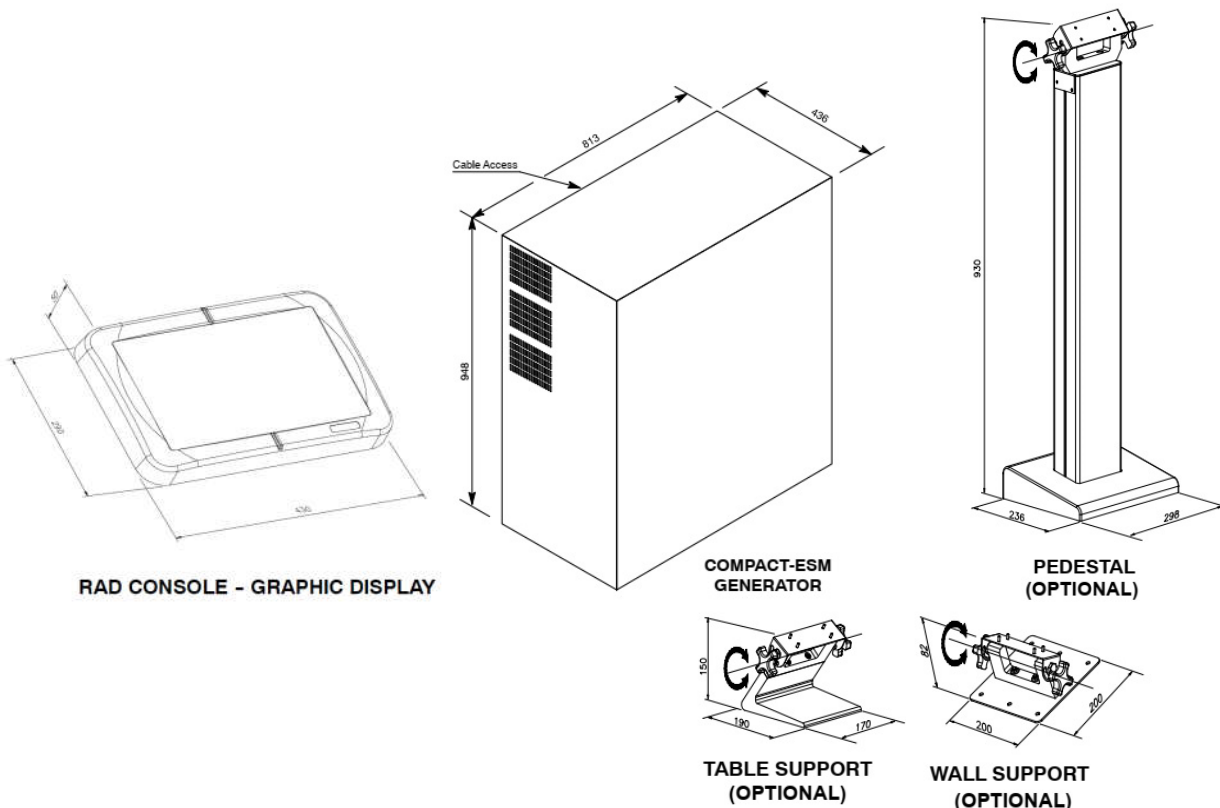
Auxiliary power supplies: 24VAC @6A and 24VDC @ 10A

ENVIRONMENTAL OPERATING SPECIFICATIONS

Ambient temperature range	Relative humidity range	Atmosphere pressure range
50°F (10°C) to 104°F (40°C)	30% to 75%	20.67 inHg (700 hPa) to 31.30 inHg (1060 hPa)

TUBE COMPATIBILITY LIST

Compatible with all common X-ray tubes



DIMENSIONS

COMPONENT	Length	Width	Height	Weight
CRATED Generator (Shipping Information)	1220 mm (48")	570 mm (23")	1140 mm (45")	268 kg (590 lb)
Generator with Leveling Legs	813 mm (32.0")	436 mm (17.2")	948mm (37.3")	235kg (518lb)
Pedestal	298 mm (11.7")	236 mm (9.3")	930 mm (36.6")	10 kg (22 lb)
RAD Console Graphic Display	430 mm (16.9")	290 mm (11.4")	50 mm (1.9")	6 kg (13.2 lb)