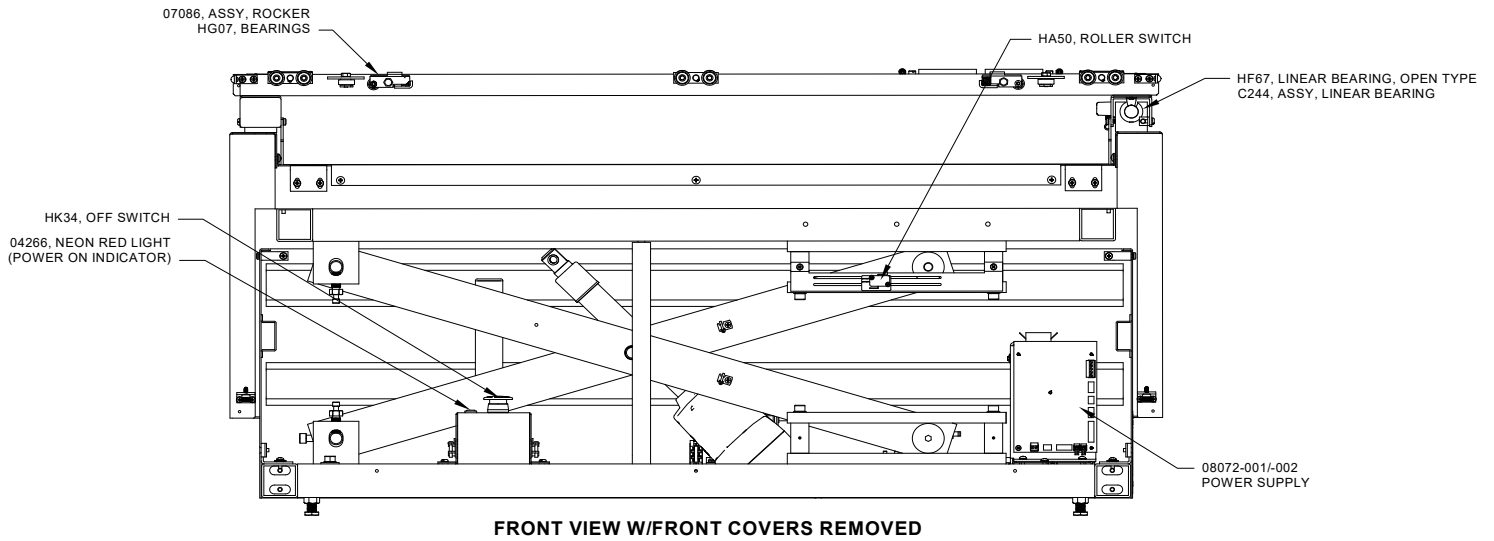
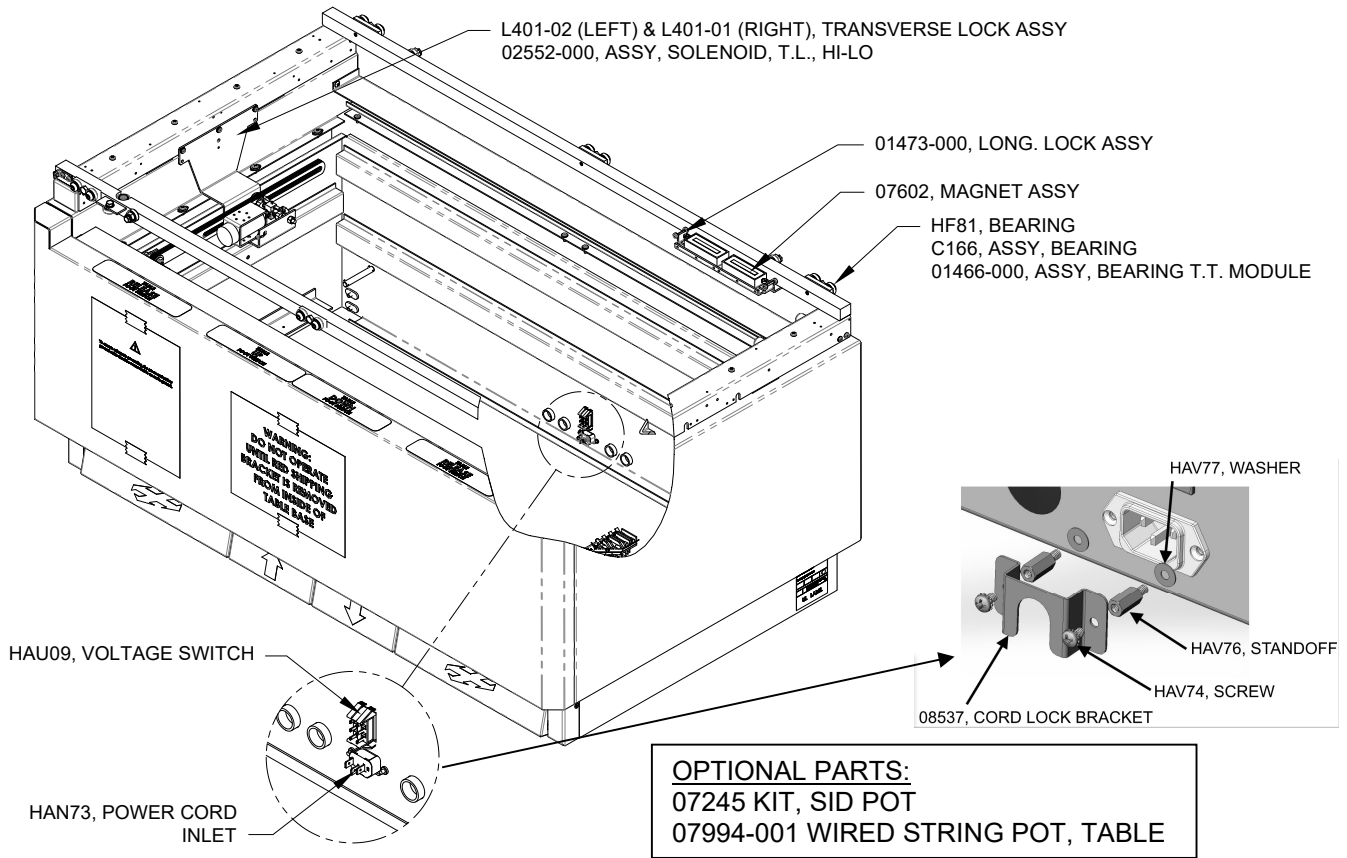


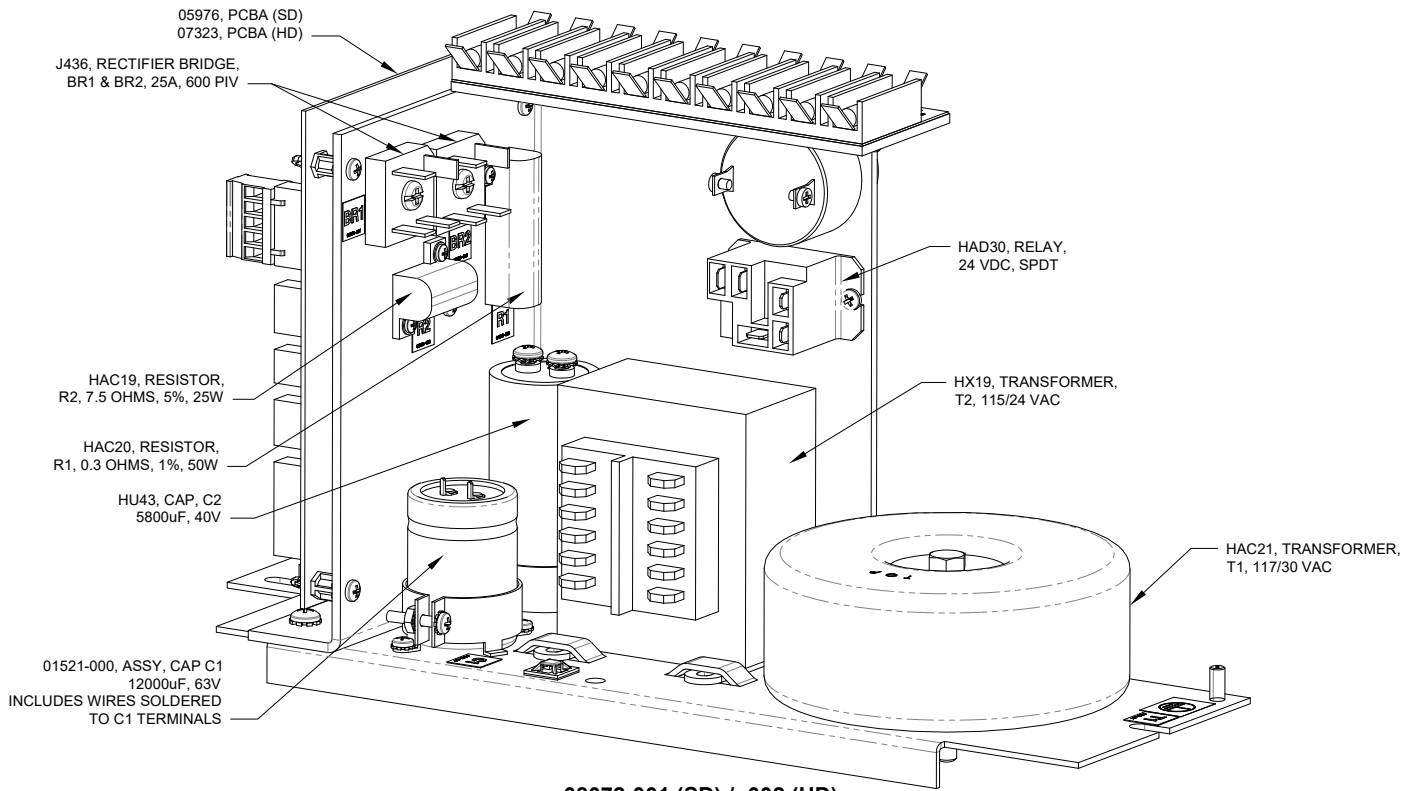
REPLACEMENT PART GUIDE – S222/S211

See graphics on the following pages for Summit part numbers and descriptions of service parts.

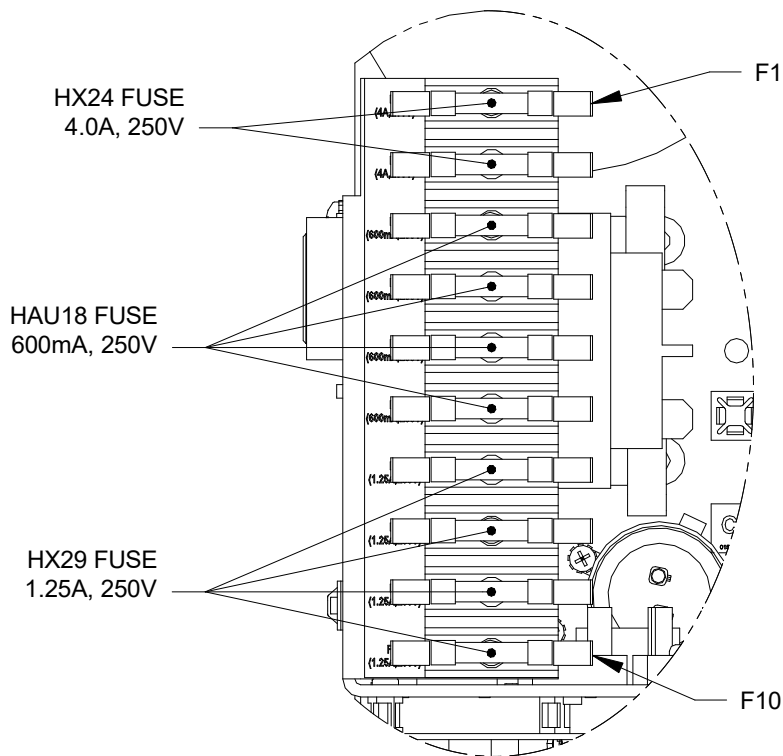
S222: Valid for **CBA496-0719** and later

S211: Valid for **BXA249-0719** and later.





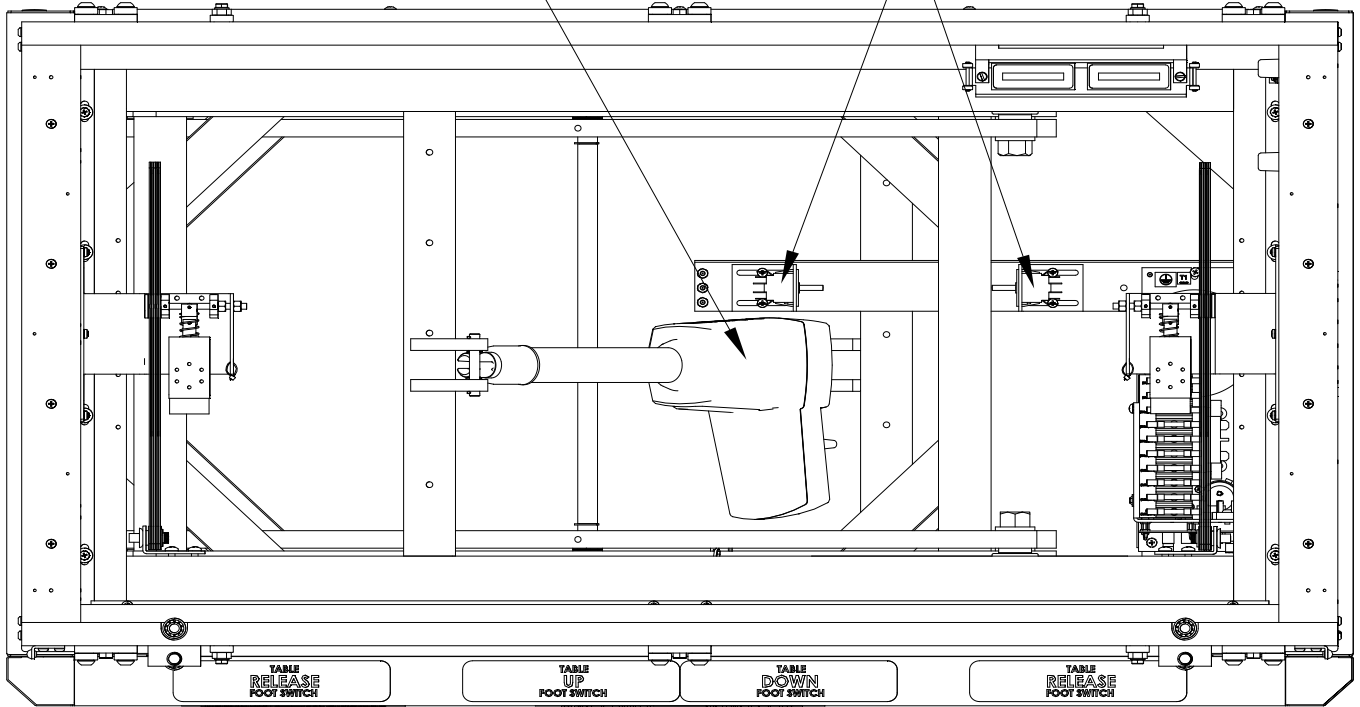
**08072-001 (SD) / -002 (HD),
POWER SUPPLY ASSEMBLY**



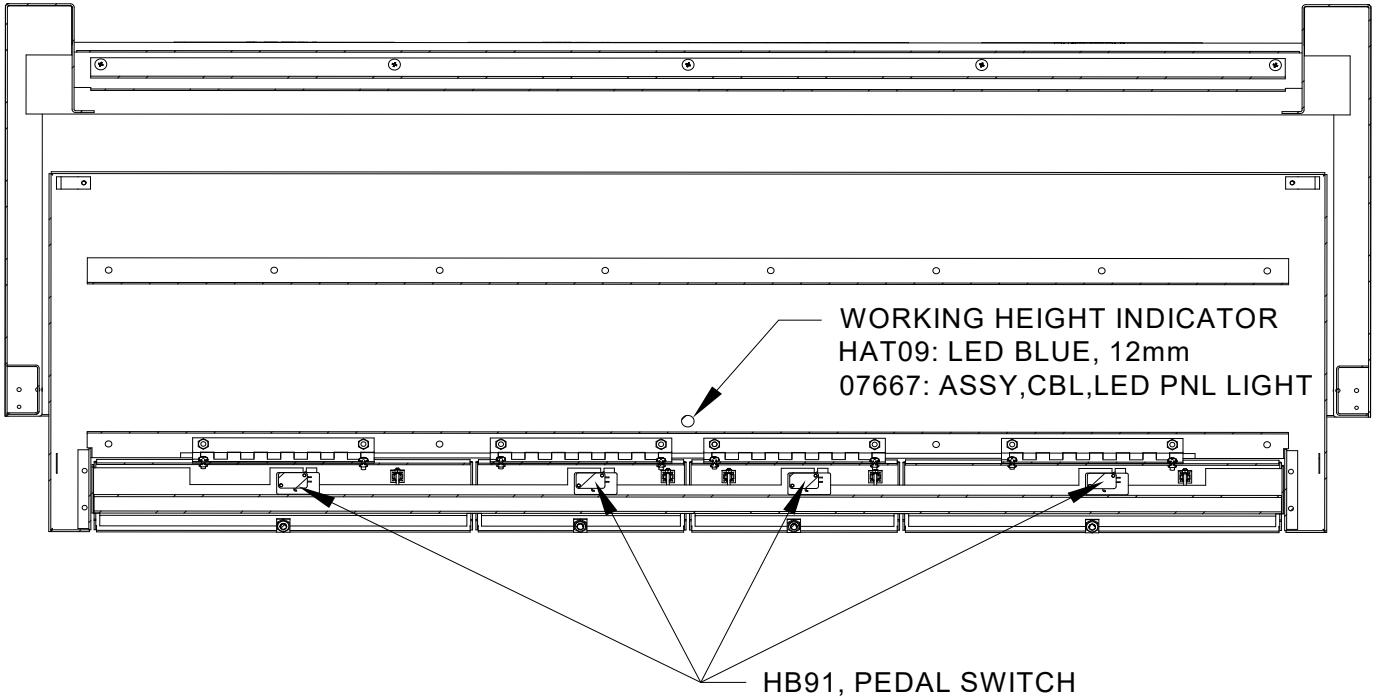
**DETAIL VIEW OF FUSE PART NUMBERS
AND VALUES FOR THE 08072* POWER SUPPLY**

01539-000 ASSY, ACTUATOR
[2004 TO PRESENT]

HK07, SWITCH,
TABLE UP/DOWN TRAVEL

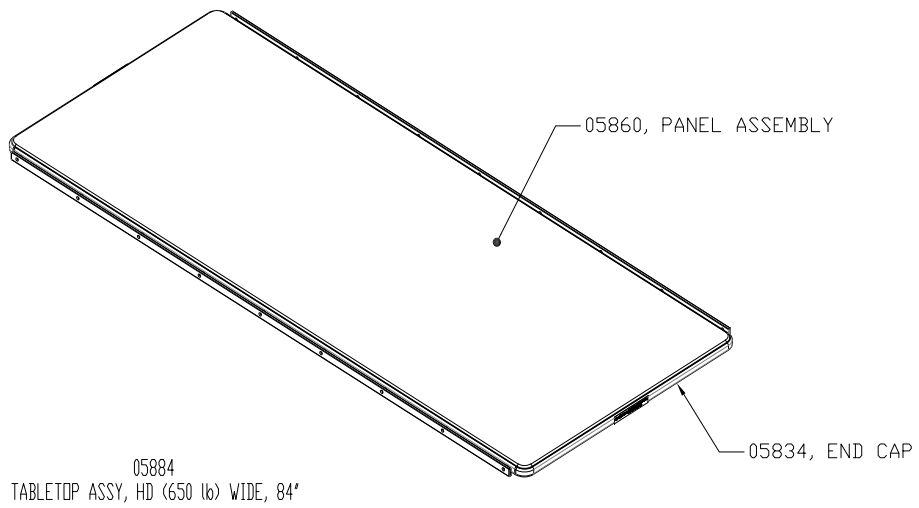
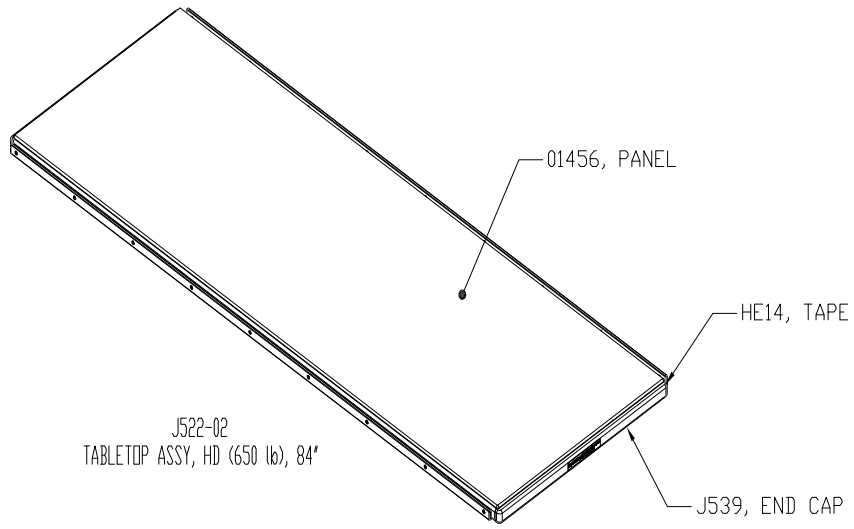
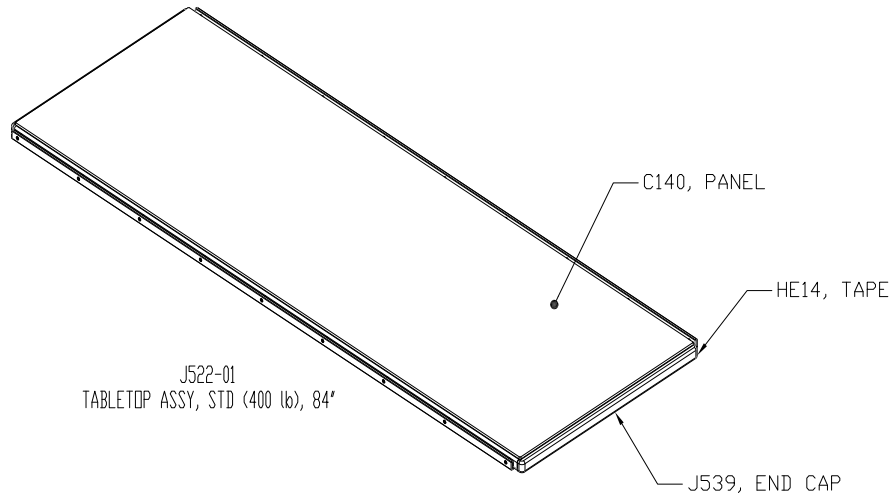


TOP VIEW W/TOP PANELS REMOVED



VIEW OF INSIDE FRONT PANEL

FOR S222:



FOR S211:

