

TUBESTAND, FLOOR TO WALL / CEILING MOUNT

TRAVEL AND ALIGNMENT

Longitudinal travel of Focal Spot	39.2" for 5 ft rail 75.2" for 8 ft rail 99.2" for 10 ft rail
Vertical travel of Focal Spot (from floor)	11.75" min (beam horizontal) 75.75" max (beam horizontal) 76.75" max (beam vertical)
Distance of Focal Spot from wall (assuming tubestand is wall mounted, no header)	Depending on application, distance is: 19.2"(chiro), 23.2"(vet/mobile table), 26.2", 28.2""(stationary medical table), 32.2" (float top medical table)

MOUNTING SPECIFICATIONS

Ceiling height	88" – 121"
Wall / Ceiling mounting bolts	6" from end on 16" centers, each with a minimum pull-out force of 150 lbs.
Floor mounting bolts	6" on each end on 12" centers, each with a minimum pull-out force of 500 lbs.

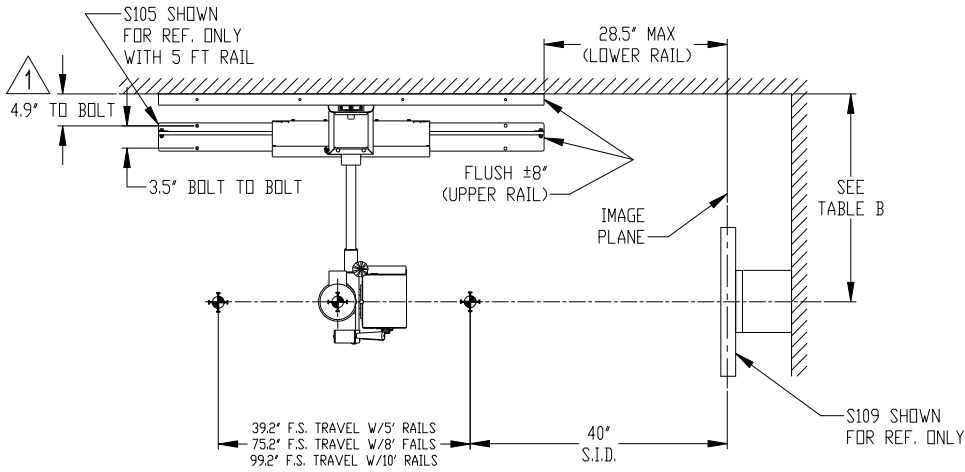
ELECTRICAL (OPTION)

24 VDC, 1 Amp, from additional 05970 power supply or applicable x-ray generator.
--

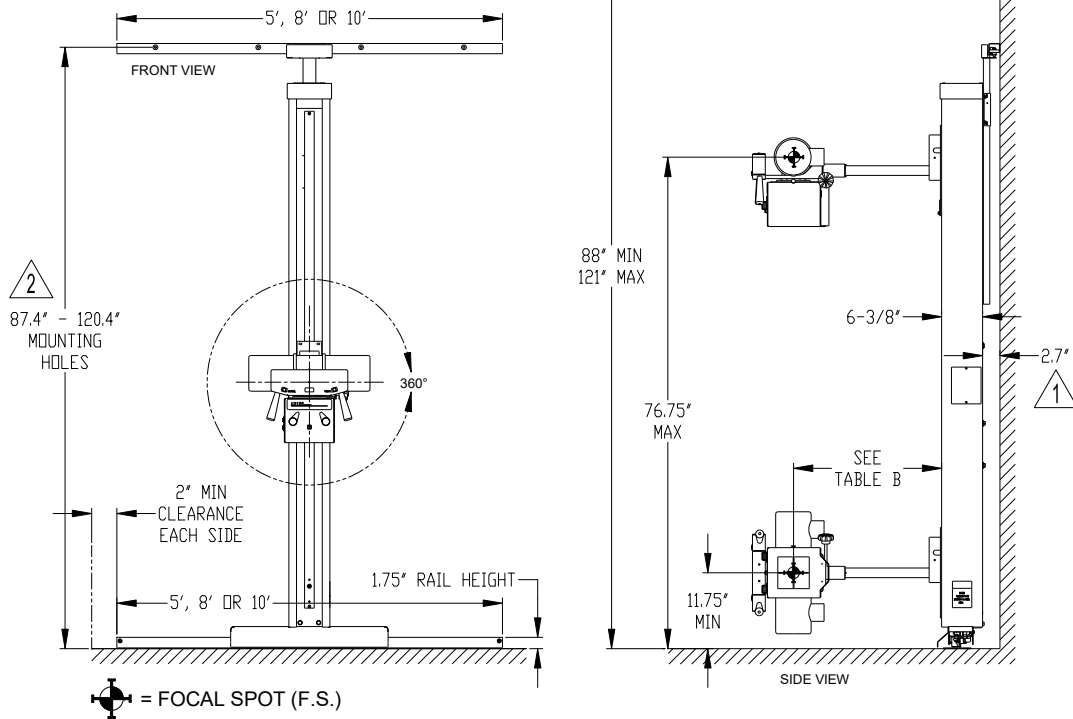
SHIPPING INFORMATION (weight lbs, [dimensions] in inches.)

	5 ft Rail	8 ft Rail	10 ft Rail
Column Assembly	136 [88 x 10 x 8.5]		
Accessory Kit w/Tube arm Assembly	50 [29 x 28 x 10]		
Ceiling Extension Kit	12 [66 x 5.5 x 4.5]		
Rail Kit	22[66 x 5.5 x 4.5]	35[100 x 5.5 x 4.5]	44 [124 x 5.5 x 4.5]

Specifications subject to change without notice.



**FLOOR TO WALL/CEILING
TUBESTAND DRAWING
(S105/A3305/1550)**



- 1. ASSUMES NO HEADER BOARD INSTALLED, DIMENSION TO BACK OF UPPER RAIL.
- 2. IF HEADER BOARD IS NEEDED FROM UPPER RAIL, MOUNT IT WITH ITS CENTER AT 87.4" - 120.4" ABOVE FLOOR.

TABLE B: DISTANCE FS TO FRONT OF COLUMN	DISTANCE FS TO WALL (NO HEADER)	PART NO. ASSY, TUBE ARM/MOUNT
10" for Chiro applications and some non- angulating tubemounts.	19.2"[487mm]	06237-008
14" for small tables (Vet, Mobile, and narrow stationary and some non-angulating tubemounts).	23.2"[589mm]	06237-012
17" for stationary integrated medical tables	26.2"[665mm]	06237-015
19" for other fixed medical tables	28.2"[716mm]	06237-017
23" for float top tables	32.2"[817mm]	06237-021