

Technical Publication

RP-1236R0

SUMMIT P/N 09530-009 REV. A

Renewal Parts

X-ray System

REVISION HISTORY

REVISION	DATE	REASON FOR CHANGE
0	OCT 06, 2022	First Edition

This Document is the English original version, edited and supplied by the manufacturer.

The Revision state of this Document is indicated in the code number shown at the bottom of this page.

ADVISORY SYMBOLS

The following advisory symbols will be used throughout this manual. Their application and meaning are described below.



DANGERS ADVISE OF CONDITIONS OR SITUATIONS THAT IF NOT HEHEDED OR AVOIDED WILL CAUSE SERIOUS PERSONAL INJURY OR DEATH.



ADVISE OF CONDITIONS OR SITUATIONS THAT IF NOT HEHEDED OR AVOIDED COULD CAUSE SERIOUS PERSONAL INJURY, OR CATASTROPHIC DAMAGE OF EQUIPMENT OR DATA.

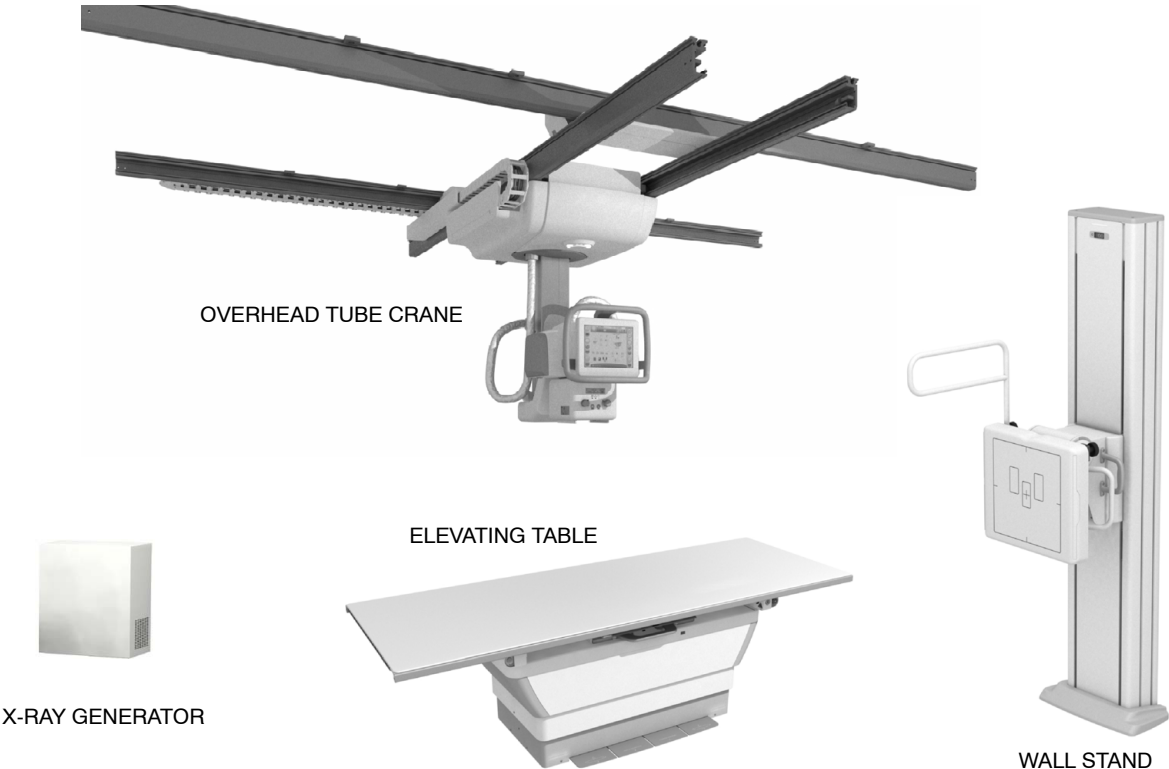


Advise of conditions or situations that if not heeded or avoided could cause personal injury or damage to equipment or data.

Note 

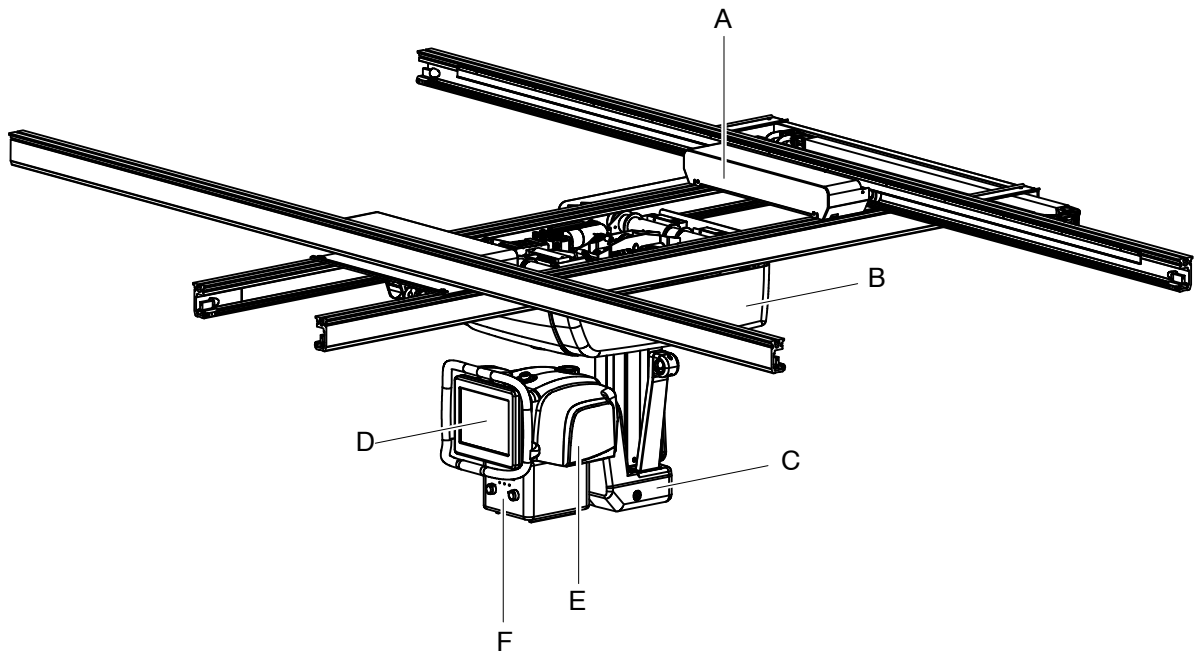
Alert readers to pertinent facts and conditions. Notes represent information that is important to know but which do not necessarily relate to possible injury or damage to equipment.

SECTION 1 OVERHEAD TUBE CRANE CHALLENGE X



1.1 OVERHEAD TUBE CRANE CHALLENGE X

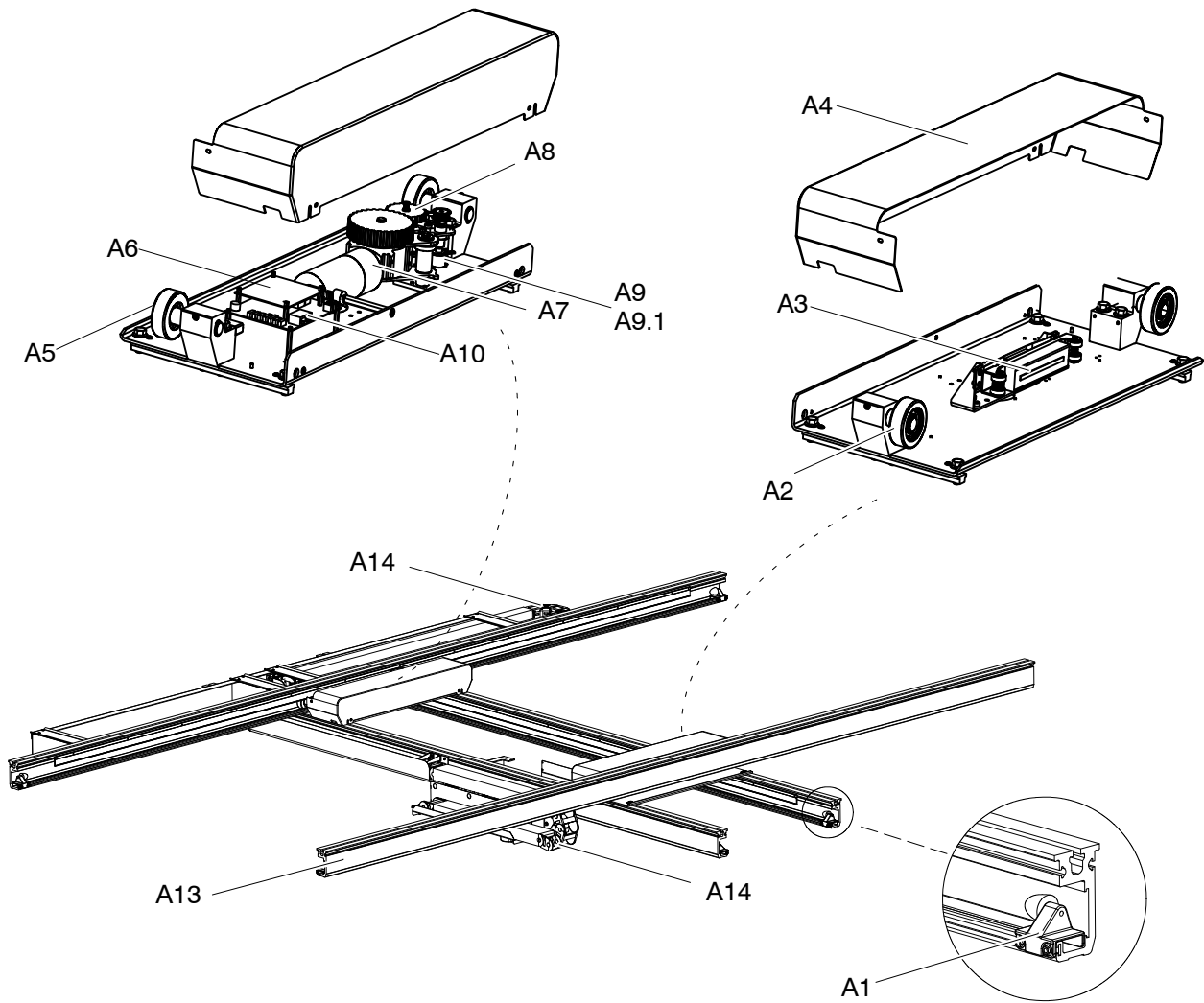
- A. RAIL SYSTEM & LONGITUDINAL/TRANSVERSAL MOVEMENT
- B. CARRIAGE
- C. TELESCOPIC COLUMN & L-BLOCK
- D. CONSOLE
- E. TUBE AND SUPPORTS
- F. COLLIMATOR
- G. MISCELLANEOUS / OPTION
- H. CABLES



ITEM	DESCRIPTION	QTY	REFERENCE	REMARKS
A0	RAIL SYSTEM & LONGITUDINAL/TRANSVERSAL MOVEMENT			
A1	XY Displacement Stop	2	A527051-01	included 4 units
A2	Brake Side Roller Assembly	1	A527052-01	
A3	XY Brake	1	SAT-A18021-01	
A4	Tray Top Cover	2	SAT-22681-01	
A5	Motor Side Roller Assembly	1	A527053-01	
A6	Servo UMC 24V	1	SAT-A3625-03	
A7	XY Motor	1	SAT-A18025-02	
A8	Hybrid Assembly XY	1	A527057-01	
A9	Potentiometer Assembly XY	1	A527058-01	Included Item A9.1
A9.1	Belt 2,5 180 6mm	1	SAT-S0003441	
A10	Universal Motor Controller	1	SAT-A3624-02	
A11	Clamp Installation Kit		SAT-A18104-03	
A12	Installation Kit Assembly CHX Longitudinal Rails		SAT-A18104-04	
A13	Longitudinal Rails 3900mm OTC-CHX		SAT-A18001-39	
	Longitudinal Rails 4600mm OTC-CHX		SAT-A18001-46	
	Longitudinal Rails 5100mm OTC-CHX		SAT-A18001-51	
	Longitudinal Rails 6100mm OTC-CHX		SAT-A18001-61	
A14	Chain Holder Rotation CPR		SAT-53530164	

X-ray System

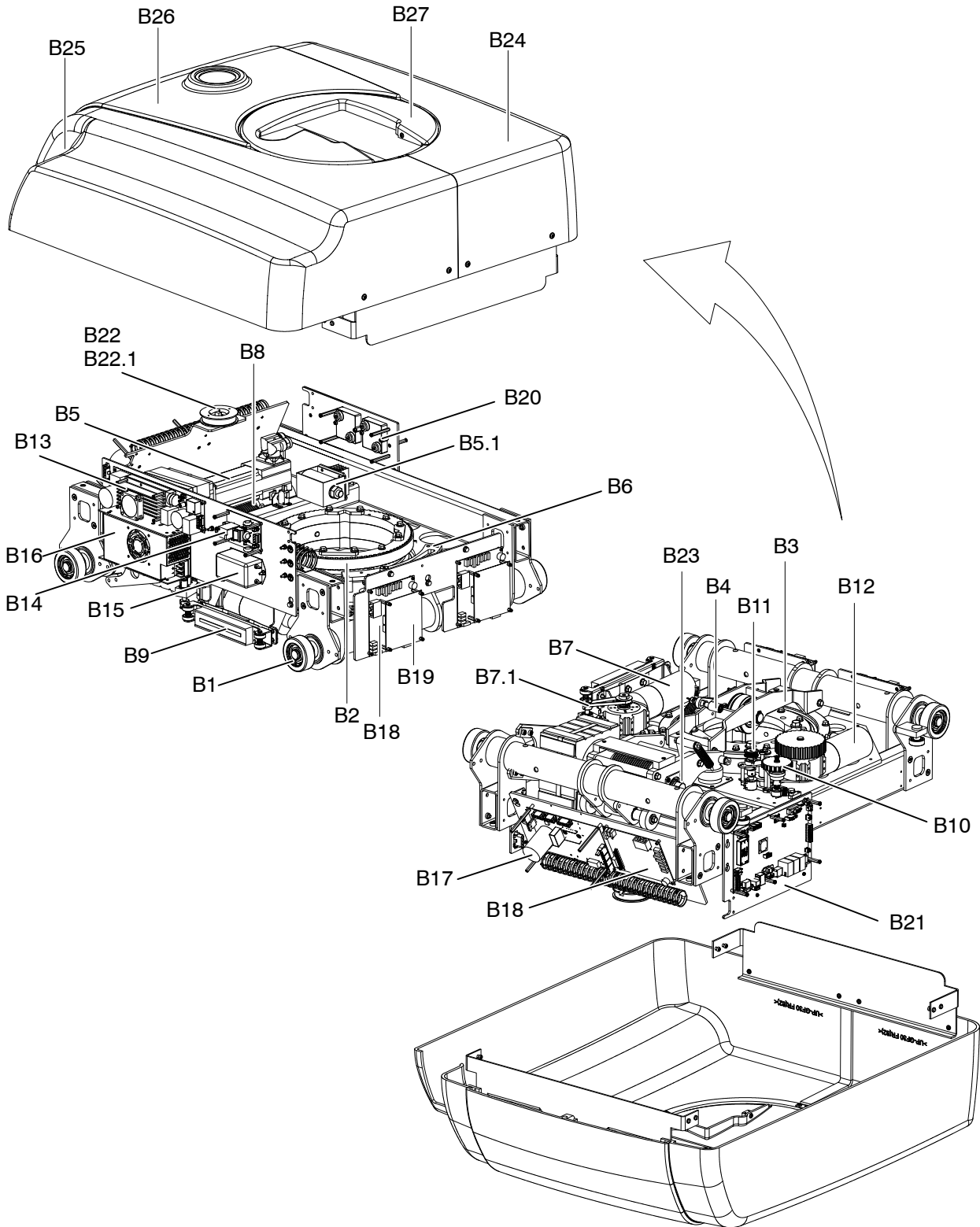
Renewal Parts



ITEM	DESCRIPTION	QTY	REFERENCE	REMARKS
B0	CARRIAGE			
B1	Carriage Bearing Assembly	1	A527054-01	
B2	Belt	1	SAT-53940011	
B3	Fixed Steel Cable Rear	1	SAT-A18070-01	
B4	Cable Break Detector	1	SAT-A18071-01	
B5	Assembly Motor	1	SAT-A18072-04	Included Item B5.1
B5.1	Rache Kit Motor Z	1	SAT-A18068-01	
B6	End Stop Switch Beta	1	SAT-A18028-01	
B7	Motor Beta	1	SAT-A18030-01	
B7.1	Potentiometer Motor Beta	1	SAT-A18094-01	
B8	Tensor Beta	1	SAT-A18031-01	
B9	XY Brake	1	SAT-A18021-01	
B10	Hybrid Assembly XY	1	A527057-01	
B11	Potentiometer Assembly XY	1	A527058-01	
B12	XY Motor	1	SAT-A18025-02	
B13	PBA PFC 1600	1	SAT-A9577-04	
B14	PBA Input Module	1	SAT-A3707-01	
B15	Filter Line	1	SAT-50208019	
B16	Power Supply XP	1	SAT-53418038	
B17	PBA Servo Z Potencia	1	SAT-A3666-03	
B18	Universal Motor Controller	3	SAT-A3624-02	
B19	PBA Servo Power 24V / 200W	1	SAT-A3625-03	
B20	Power Resistor	2	SAT-52708018	
B21	Generic Room Master PBA	1	SAT-A3633-02	
B22	Led Assembly	1	SAT-A18077-02	
B22.1	IR Remote PBA	1	SAT-A40008-01	
B23	Beta Motor Anti-Rotation Bumper	1	SAT-A18100-02	
B24	Carriage Left Cover	1	SAT-22672-01	
B25	Carriage Right Cover	1	SAT-22672-02	
B26	Carriage Front Cover	1	SAT-22673-01	
B27	Carriage Central Cover	1	SAT-22674-01-053	

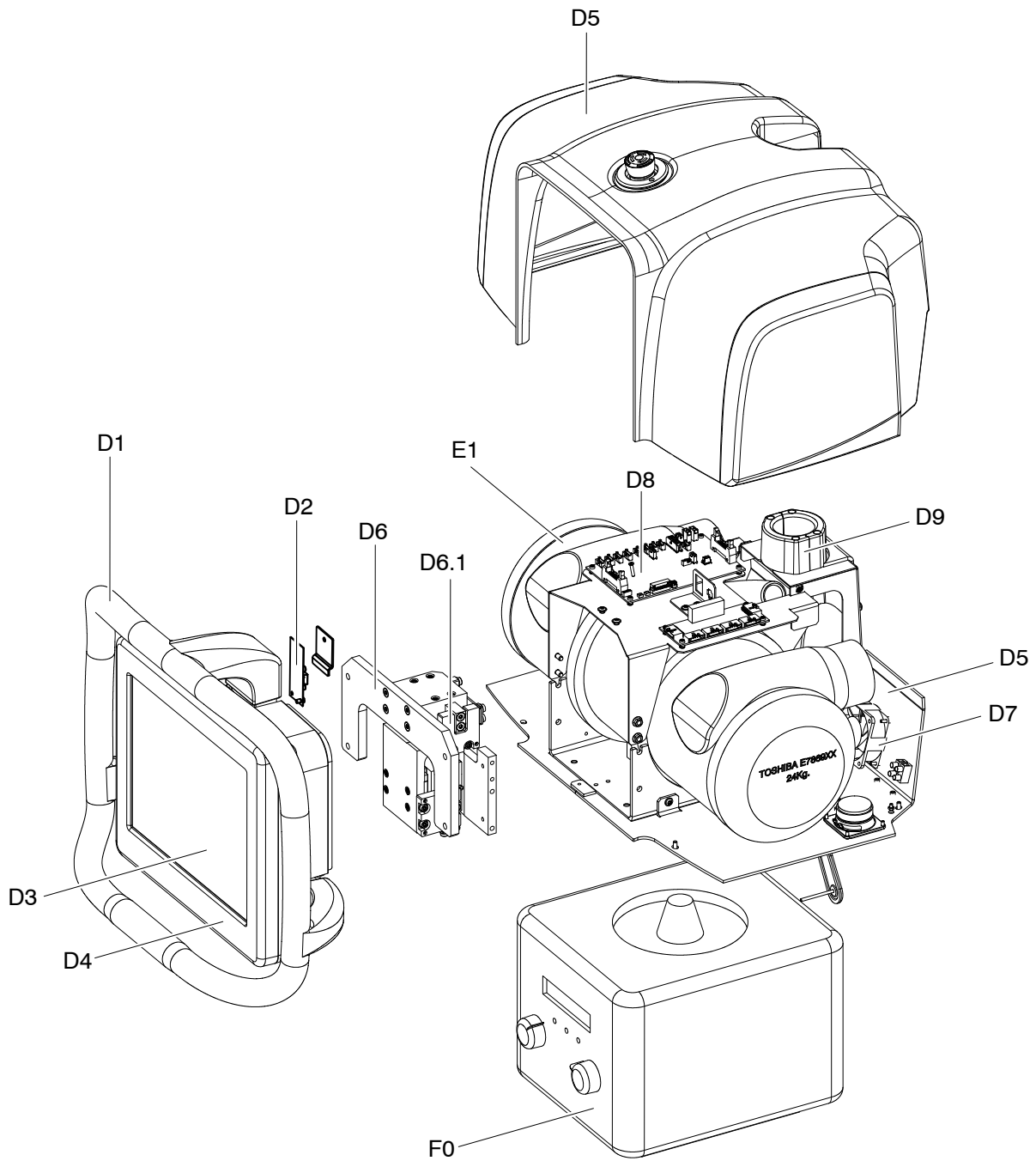
X-ray System

Renewal Parts



ITEM	DESCRIPTION	QTY	REFERENCE	REMARKS
C0	L - BLOCK			
C1	Potentiometer Assembly Alpha	1	A527055-01	
C2	Alpha Tensor	1	SAT-A18037-01	
C3	Alpha Motorization	1	SAT-A18066-02	
C3.1	Belt 16AT5	1	SAT-53940152	
C3.2	Potentiometer Vertical	1	A527059-01	
C4	Alpha Hybrid Assembly	1	SAT-A18063-01	
C4.1	Belt 6T2.5	1	SAT-53940214	
C5	Steel Cables Fixation	1	SAT-A18073-01	
C6	Covers Sets Lower Turn w. Anticollision	1	SAT-A18045-02	
C7	Universal Motor Controller	1	SAT-A3624-02	
C8	PBA Servo Power 24V / 200W	1	SAT-A3625-03	
C9	Set of Metal Strips and Plastic Caps for Telescope	1	SAT-A18076-01	

ITEM	DESCRIPTION	QTY	REFERENCE	REMARKS
D0	CONSOLE			
D1	Console Wheel 053	1	SAT-A18058-02	
D2	PBA Capacitive Switch	1	SAT-A3710-03	
D3	PC Panel 12"	1	SAT-55001315	
D4	TFT Cover Assembly 053	1	SAT-A18048-03	
D5	Toshiba Tube Covering Assembly	1	A527056-01	
D6	Force Sensor Set 3D	1	A527068-01	Includes Item D6.1
D6.1	Extensiometer Assembly	3	SAT-A18099-01	
D7	Fan 24 VDC 70 MA 60x60x25	2	A527060-01	
D8	GPIO Head PBA	1	SAT-A3665-05	
D9	Fixing Head Cables	1	SAT-A18051-01	
E0	TUBE			
E1	TUBO RX E7869XX		6690-60	
F0	COLLIMATOR			
F1	Automatic Collimator w/o DAP	1	SAT-6693-42	
F2	Automatic Collimator with DAP	1	SAT-6693-43	Optional



ITEM	DESCRIPTION	QTY	REFERENCE	REMARKS
G0	MISCELLANEOUS			
G1	Handswitch With Collimator Button	1	SAT-A6805-02	
G2	Kit ASK STH CHX	1	SAT-A13050-586	
G3	Set Extra Torx Screws OTC-CHX	1	SAT-A18112-01	
G4	Kit Room Interface ETH W/O Detector	1	SAT-A13050-638	
G5	Snap-on Installation Marking	1	A525617-01	
G6	Console for Analog Systems	1	SAT-AS00091	Only for Analog Systems
G7	Remote Control	1	SAT-AS01109	Includes Item G7.1
G7.1	Overlay	1	SAT-55808367	
G8	DF XRay Footswitch Assembly	1	SAT-A21119-01	

X-ray System

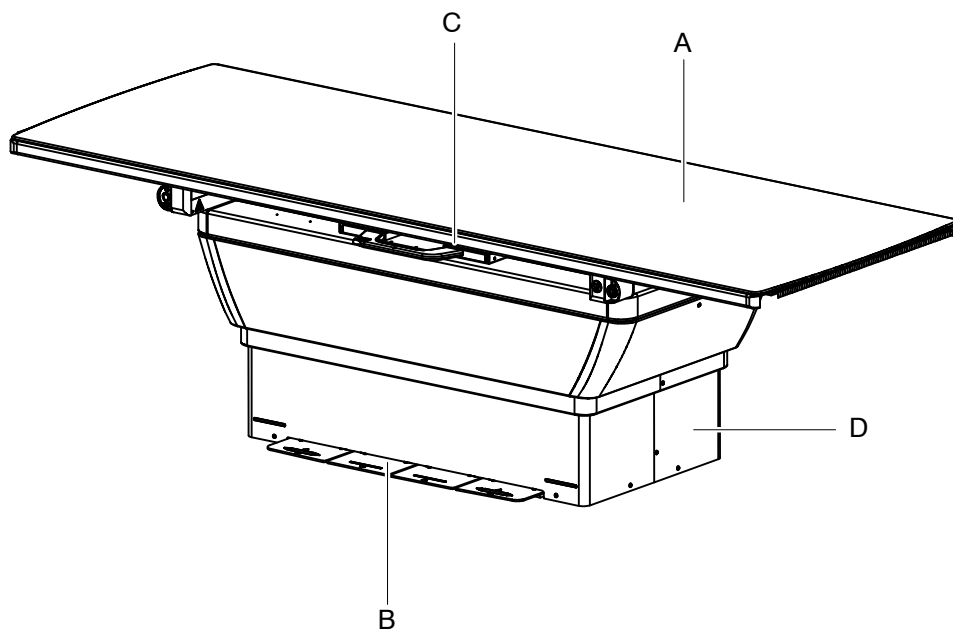
Renewal Parts

ITEM	DESCRIPTION	QTY	REFERENCE	REMARKS
H0	CABLES			
	CARRIAGE AND RAILS CABLES			
	DF Encoder HEDS-5500 Cable	1	A15634-01	
	DF Potentiometer Cable (730mm)	1	A15158-01	
	DF Braking Chopper Cable	1	A15244-01	
	DF Z Control Cable	1	A15220-01	
	DF Z Servo Supply Cable	1	A15120-01	
	DF Servo J16 Adapter Cable	1	A15528-01	
	DF Filter Input Cable	1	A15326-02	
	DF Power Supply Harness	1	A15121-01	
	DF Power Out Supply Harness	1	A15313-01	
	DF Service Mode (600mm)	1	A15330-06	
	DF UMC&CAN Cable (400mm)	1	A15090-01	
	DF Safety Brake Actuator Cable	1	A15364-01	
	Extension Cable RGB (700mm)	1	A15187-06	
	DF Service Mode (400mm)	1	A15330-01	
	DF Power Supply Cable 1200mm	1	A15143-01	
	DF Servo Power Supply Cable (1200mm)	1	A15104-03	
	DF Brake Adapter Cable (2300mm)	1	A15227-02	
	DF Brake Adapter Cable (500mm)	1	A15227-01	
	DF Power Supply Out Cable	1	A15317-01	
	DF Sensing Safety Actuator Cable	1	A15527-01	
	DF ON-OFF Local Cable (1400mm)	1	A15329-01	
	DF Service Mode (1700mm)	1	A15330-02	
	DF UMC&CAN Cable (600mm)	1	A15090-09	
	Adapter Broken	1	A15369-01	
	DF Remote Set Cable	1	A15384-01	
	Guided Transverse Cables	1	SAT-A18016-01	
	Guided Rotation Cables	1	SAT-A18017-01	
	Guided Longitudinal Cables	1	SAT-A18015-02	

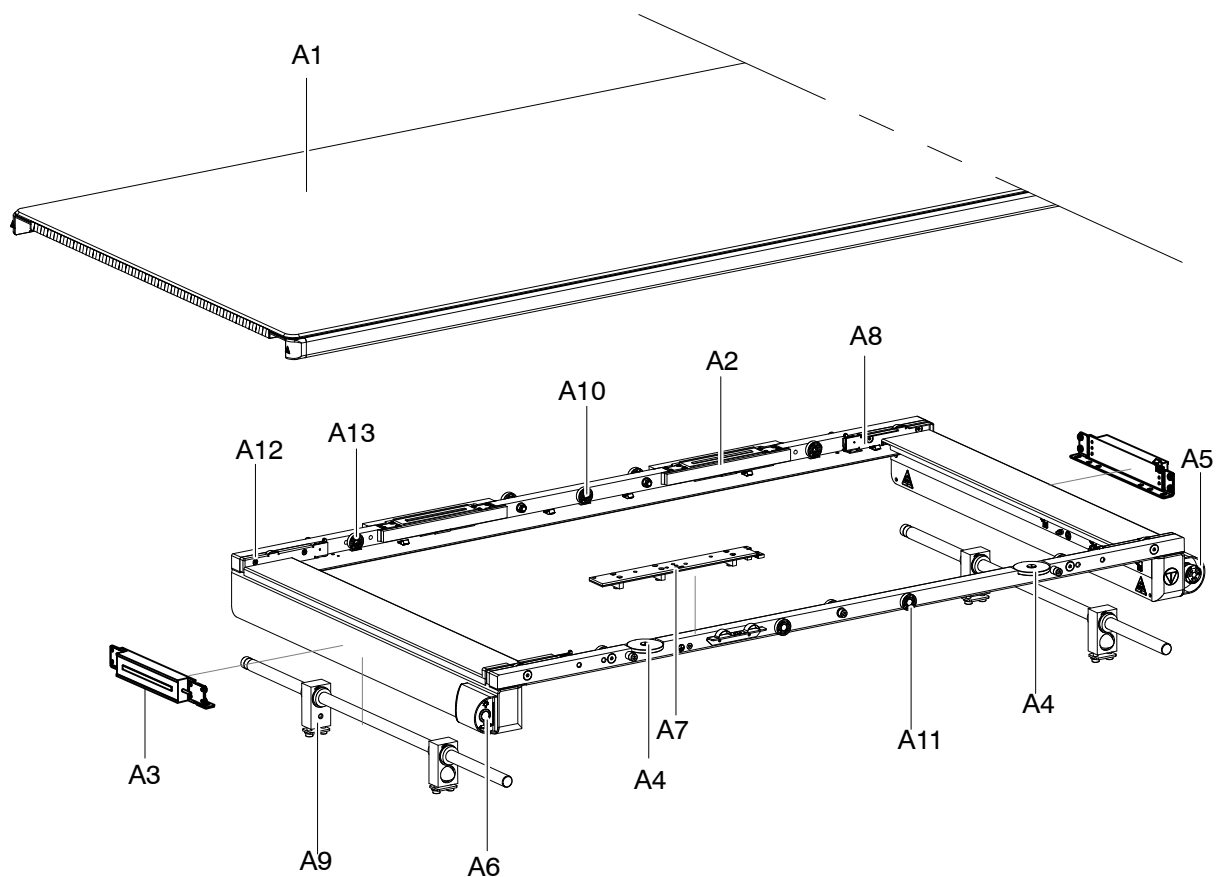
ITEM	DESCRIPTION	QTY	REFERENCE	REMARKS
	CABLES			
	L-BLOCK CABLES			
	CAN BUS Terminator Resistor	1	A15202-01	
	TUBE-COLLIMATOR ASSEMBLY CABLES			
	DF Deadman Flywheel Cable	1	A15386-01	
	DF Supply TFT Cable	1	A15248-01	
	Couple Shielded Cat6	1	53010199	
	DF Ethernet Adapter Cable	1	A15267-01	
	DF RS232 Panel Adapter Cable	1	A15542-01	
	DMB Emerg Switch Cable	1	A15073-01	
	DF Audio PCB Supply Cable	1	A15362-01	
	HV Cable 20m	1	6680-58	
	HV Cable 25m	1	6680-59	
	HV Cable 30m	1	6680-60	
	HOSE CABLES			
	BUS Hardware Alpha	1	A15319-01	
	DF Power Supply Cable	1	A15318-01	
	DF Supply Cable (3600mm)	1	A15104-01	
	DF UMC&CAN Cable (5900mm)	1	A15090-06	
	DF UMC&CAN Cable (3000mm)	1	A15090-03	
	Carriage Ground Cable	1	S0004387	
	DF Supply Cable (5400mm)	1	A15104-02	
	M4/M4 AWG 10 Ground Cable (5100mm)	1	A15361-01	
	High Voltage Cable Cover (6m)	1	A6855-06	
	M4/M4 AWG 10 Ground Cable (5700mm)	1	A15361-02	
	M4/M4 AWG 10 Ground Cable (3000mm)	1	A15361-03	
	DF Vertical Pot Adapter Cable	1	A15373-01	
	DF Service Mode (2100mm)	1	A15330-04	
	DF Service Mode (3500mm)	1	A15330-05	

1.2 ELEVATING TABLE

- A. TABLE TOP AND TABLE TOP SUPPORT
- B. CHASSIS, MOTORIZATION AND ELECTRONICS
- C. DETECTORS CABINET
- D. COVERS
- E. CABLES



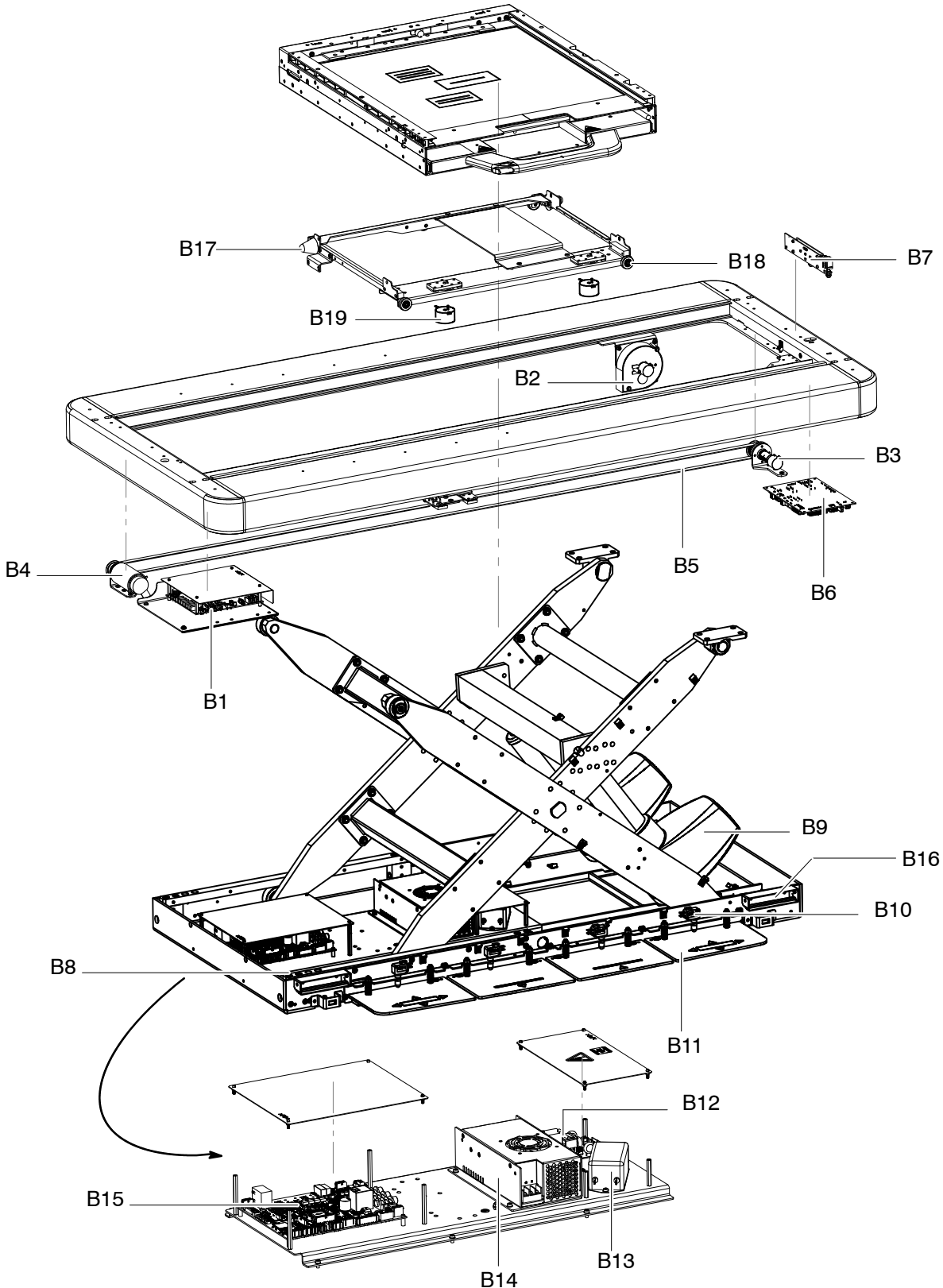
ITEM	DESCRIPTION	QTY	REFERENCE	REMARKS
A0	TABLE TOP			
A1	Table top Transparent	1	SAT-A19041-06	For NET-400
	Table top Laminate	1	SAT-A19041-04	For NET-500
	Table top Carbon Fiber	1	SAT-A19041-05	For NET-500
A2	Longitudinal Brakes	2	SAT-A19009-01	
A3	Transversal Brakes	2	SAT-A19010-01	
A4	Transversal Wheel	1	SAT-A19005-01	
A5	Emergency Switch	1	SAT-A19011-01	
A6	Button Lock Table Top	1	SAT-A15197-01	
A7	Longitudinal Table Optical Sensors PBA	1	SAT-A3667-02	
A8	Microswitch Kit	1	SAT-A19006-01	
A9	Frame Support Bearings	1	SAT-A19008-01	
A10	Fixed Longitudinal bearing 28	2	SAT-A11221-01	
A11	OFF-Center Longitudinal Bearing	4	SAT-A11220-01	
A12	Fixed Longitudinal Bearing	4	SAT-A11222-01	
A13	Longitudinal Roller	4	SAT-A11243-01	



X-ray System

Renewal Parts

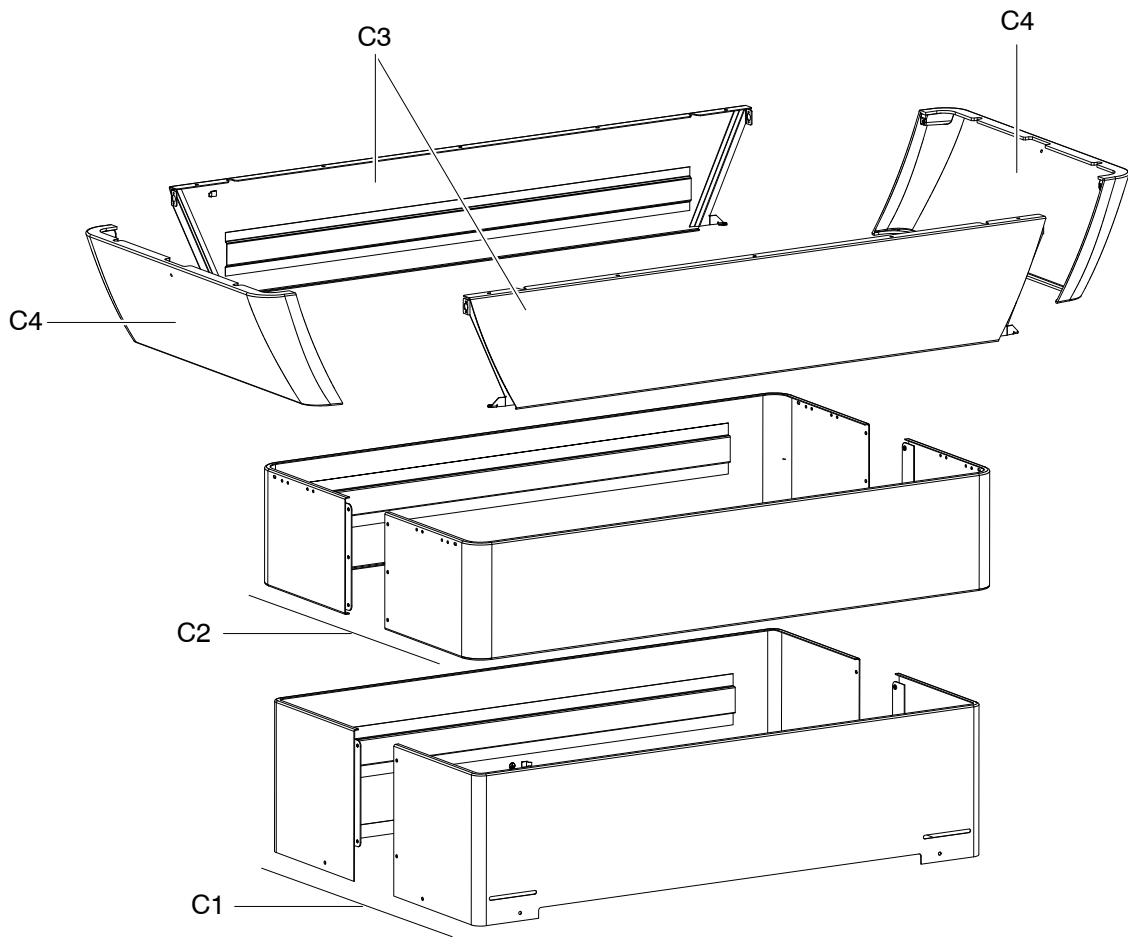
ITEM	DESCRIPTION	QTY	REFERENCE	REMARKS
B0	CHASSIS, MOTORIZATION AND ELECTRONICS			
B1	Set UMC Servo	1	SAT-A18053-01	
B1.1	Universal Motor Controller	1	SAT-A3624-02	
B1.2	PBA Servo Power 24V / 200W	1	SAT-A3625-03	
B2	Height Potentiometer Cable	1	SAT-S0023960	
B3	DF Potentiometer Cable	1	SAT-A15158-02	
B4	Longitudinal Motor	1	A527516-01	
B5	Longitudinal Belt Set	1	SAT-A19043-01	
B6	Interface Table Board	1	SAT-A3698-04	
B7	Transversal Table Optical Sensor Board	1	SAT-A3673-01	
B8	End Stop Switch Kit	1	SAT-A19002-01	
B9	Vertical Motor	2/3	A527517-01	
B10	Pedal Microswitch Kit	1	A527518-01	
B11	Pedal Kit	1	SAT-A19017-01	
B12	PBA Input Module	1	SAT-A3707-01	
B13	Line Filter	1	SAT-50208019	
B14	Power Supply	1	SAT-53418038	
B15	NET GPIO Board	1	SAT-A3696-03	
B16	LED Status	1	A527519-01	
B17	Bumper Kit	1	SAT-53830010	Included 2 units
B18	Adaptation Drawer Strait	1	SAT-A19022-02	
B19	Electro Brake 24 - 35 VAC	1	SAT-52301011	



X-ray System

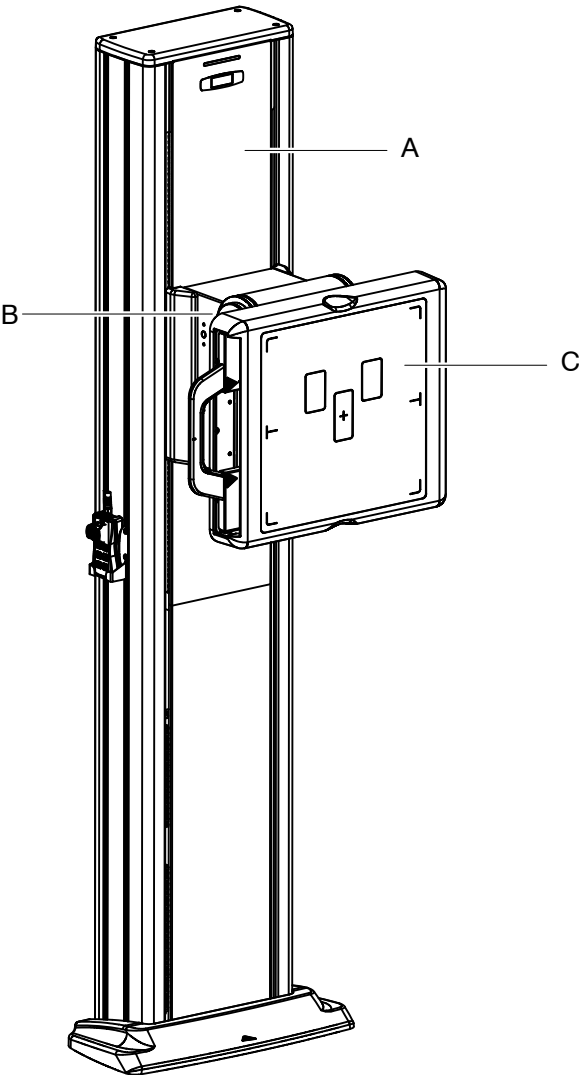
Renewal Parts

ITEM	DESCRIPTION	QTY	REFERENCE	REMARKS
C0	COVERS			
C1	Lower Cover NET500 Kit	1	A527510-01	
C2	Middle Cover NET500 Kit	1	SAT-A19047-01	
C3	Upper Cover NET500 Kit	1	A527511-01	
C4	Laterals Upper Cover NET500 Kit	1	SAT-A19048-01	



1.3 WALL STAND

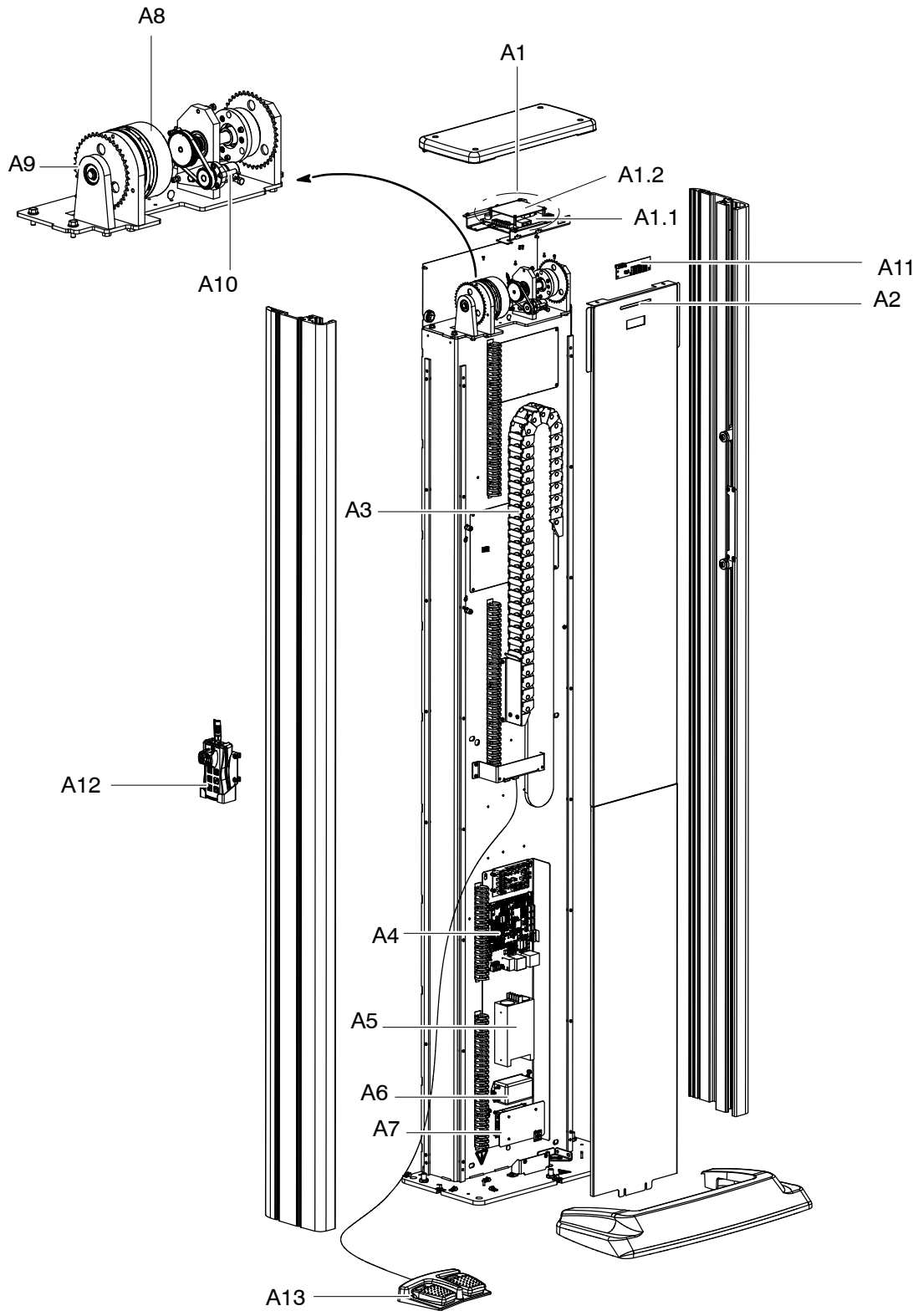
- A. COLUMN
- B. TILTING
- C. DETECTORS CABINET
- D. CABLES



X-ray System

Renewal Parts

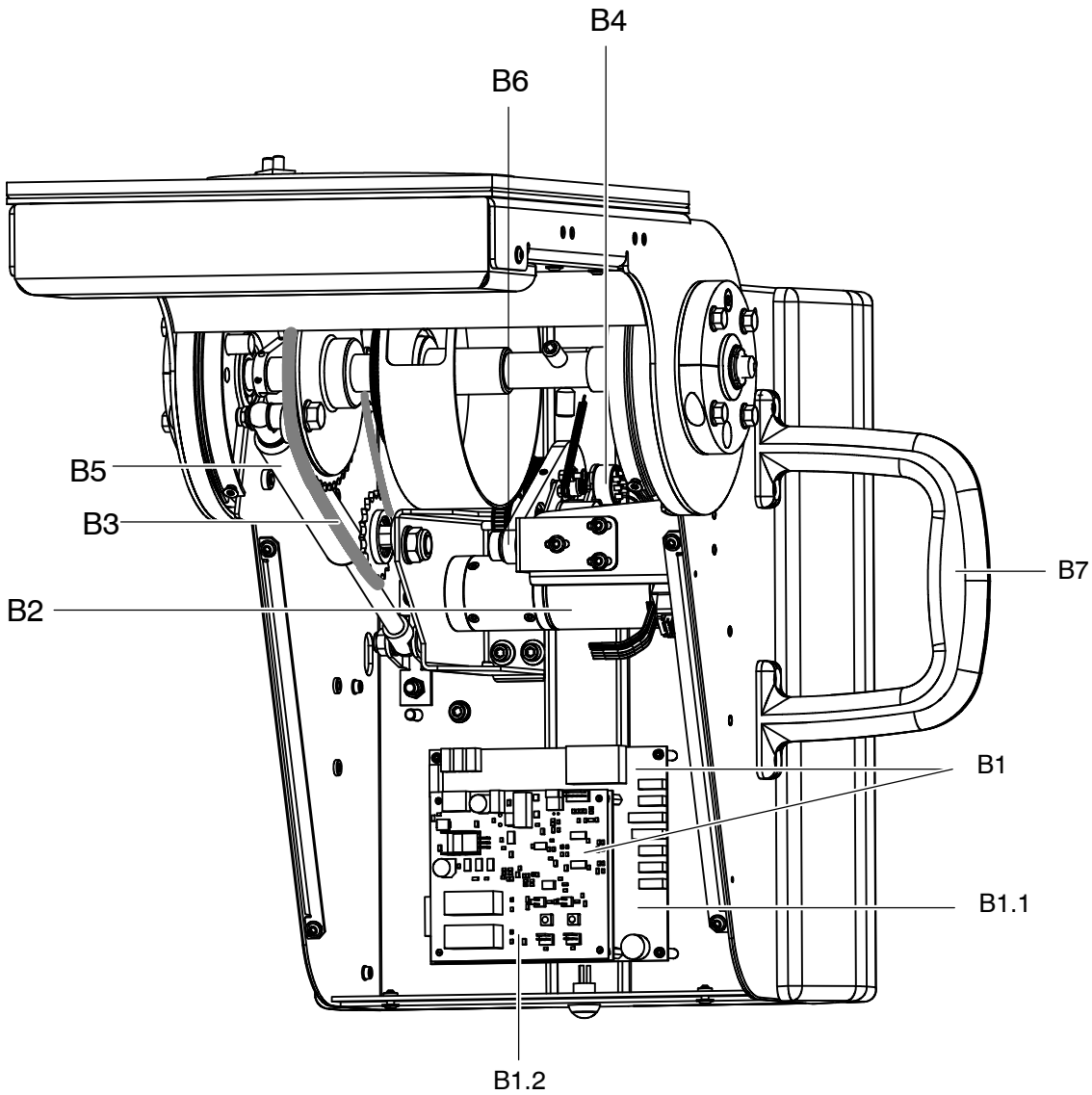
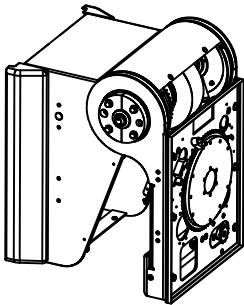
ITEM	DESCRIPTION	QTY	REFERENCE	REMARKS
A0	COLUMN			
A1	Servo UMC 24V	1	SAT-A18053-01	
A1.1	PBA Servo Control	1	SAT-A3624-02	
A1.2	PBA Servo Power 24V / 200W	1	SAT-A3625-03	
A2	Led Status	1	A527519-01	
A3	Cable Chain Kit	1	SAT-A16358-01	
A4	GPIO Interface Analog/Digital Board	1	SAT-A3697-03	
A5	Power Supply 350W	1	SAT-53418066	
A6	Filter	1	SAT-50208019	
A7	PBA Input Module	1	SAT-A3707-01	
A8	Negative Vertical Brake	1	SAT-A16365-01	
A9	Wall Stand Vertical Motor Assembly	1	SAT-A16367-01	
A10	Vertical Potentiometer WS	1	A527520-01	
A11	PBA WS Display	1	SAT-A3711-02	
A12	Console WS CHX Tilting & Rotation	1	SAT-AS00012	
	Console WS CHX Tilting	1	SAT-AS00013	
	Console WS CHX W/OTilting	1	SAT-AS00014	
A13	Footswitch (Foot Pedal)	1	SAT-CC00452	



X-ray System

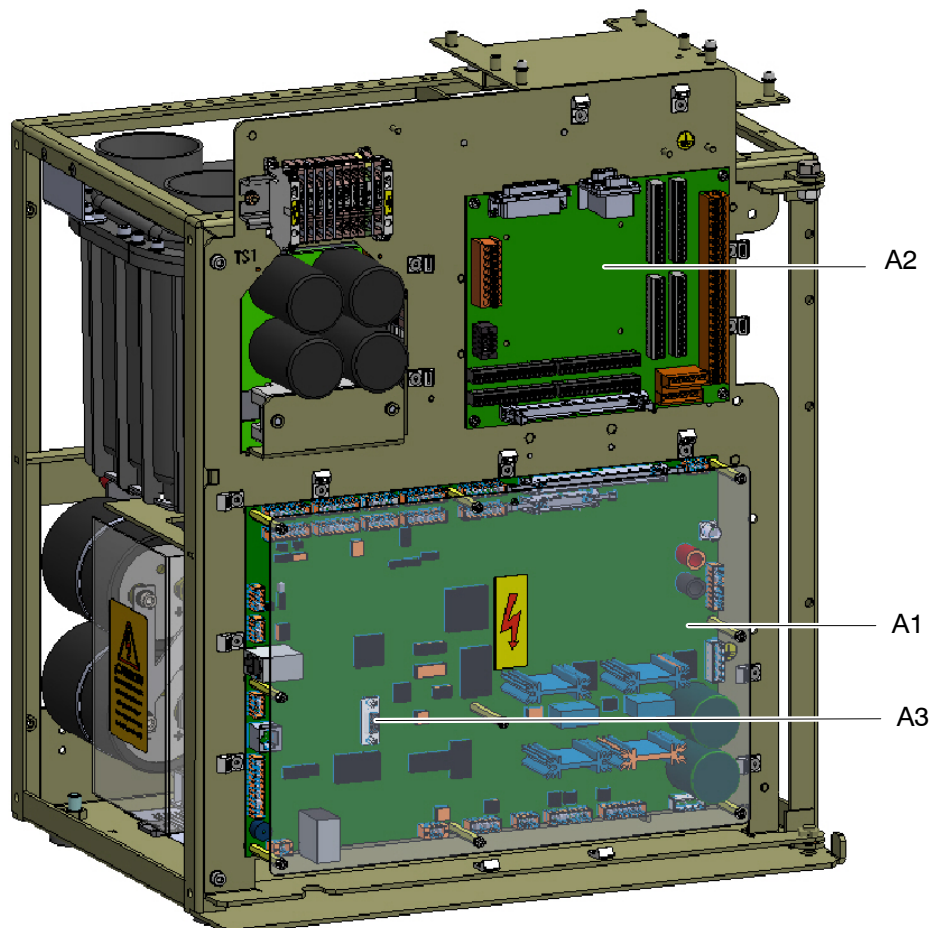
Renewal Parts

ITEM	DESCRIPTION	QTY	REFERENCE	REMARKS
B0	TILTING			
B1	Set UMC Servo	1	SAT-A18053-01	
B1.1	Universal Motor Controller	1	SAT-A3624-02	
B1.2	PBA Servo Power 24V / 200W	1	SAT-A3625-03	
B2	Tilting Motor	1	A527521-01	
B3	Tilting WS Motorization Chain	1	SAT-P00092	
B4	DF Hybrid Sensor Assembly	1	A527522-01	
B5	Set Gas Spring Stabilus 10/23 1200N	1	SAT-AS00120	
B6	Tilting Potentiometer	1	A527523-01	
B7	Spare NBS Assy Bucky Handle	1	RS0013024	



1.4 GENERATOR

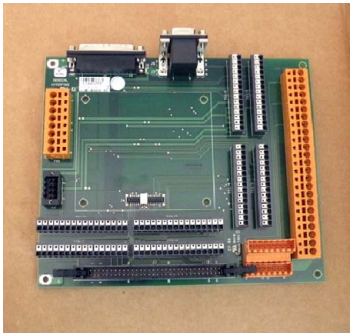
ITEM	DESCRIPTION	QTY	REFERENCE	REMARKS
A0	CONTROL PANEL, MOD. 3			
A1	Control Board	1	SAT-A3640-03	Dongle with dedicated software not included, install the Dongle from the replaced Board. Dongle is exclusive for each Generator.
A2	Interface Board	1	SAT-A3674-04	
A3	License Key Module (Dongle)	1	SAT-A11920-02	Dongle is exclusive for each Generator, so the corresponding Generator serial number has to be indicated in the spare part order. This component must not be stored as a stock item.



A1



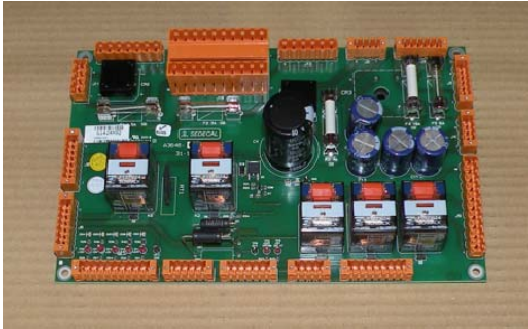
A2



A3



B1



B2



B3



B3.1



B4



B5



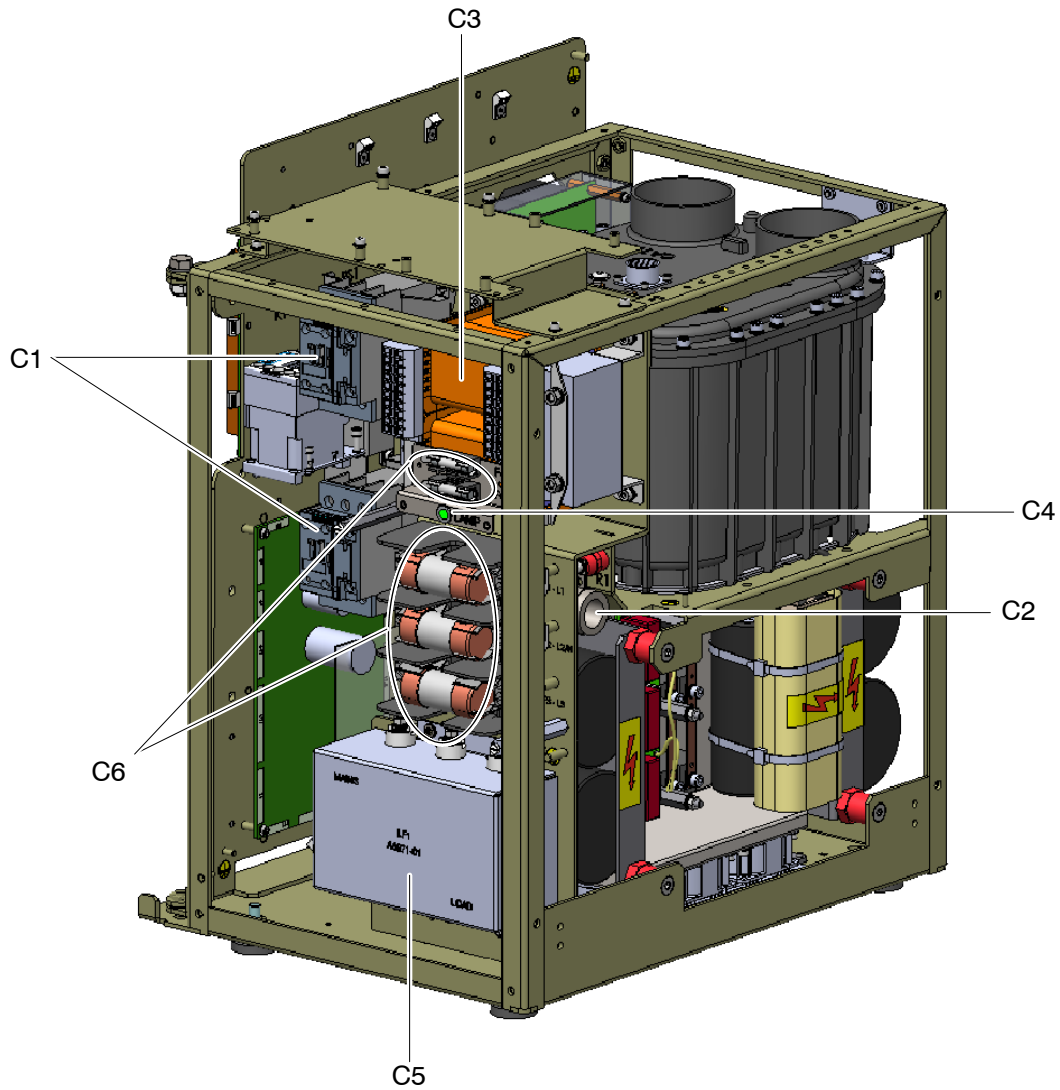
B6



X-ray System

Renewal Parts

ITEM	DESCRIPTION	QTY	REFERENCE	REMARKS
C0	POWER INPUT MODULE			
C1	Contactors	2	SAT-51405016	K2, K3
C2	Resistor 20 ohms /100 W / 10%	1	SAT-52707021	
C3	Transformer	1	SAT-50509071	
C4	Green LED	1	SAT-54203026	
C5	Line Filter C1F	1	SAT-A11769-01	Optional for 1 Ph - Heavy Duty
C5	Line Filter C3F Symmetric	1	SAT-A11769-02	Optional for 3 Ph - Heavy Duty
C6	Fuses F1, F2, F3, F4, F5	1	A522018-01	see Fuse Kit - ITEM F0)
		1	A522018-02	(see Fuse Kit - ITEM F0) only for 50kW single phase Generator



C1



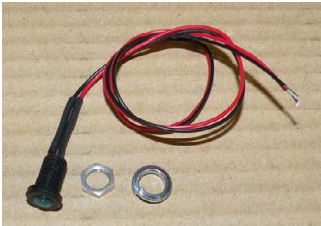
C2



C3



C4



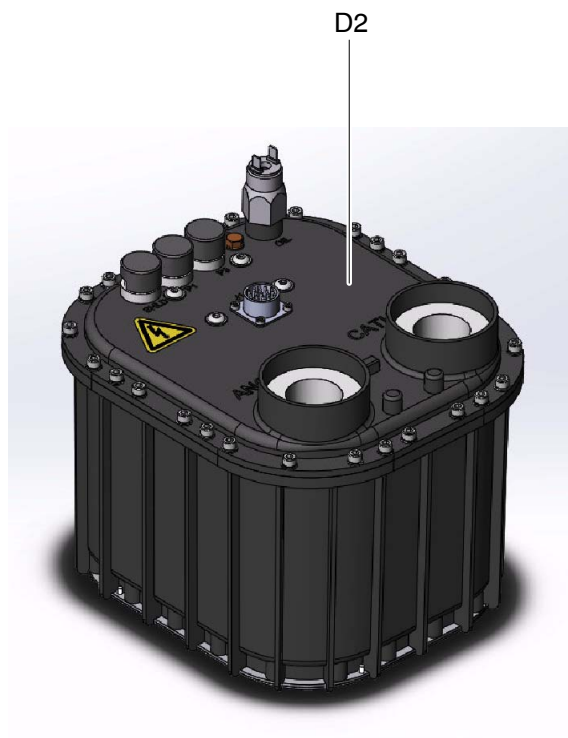
C5



X-ray System

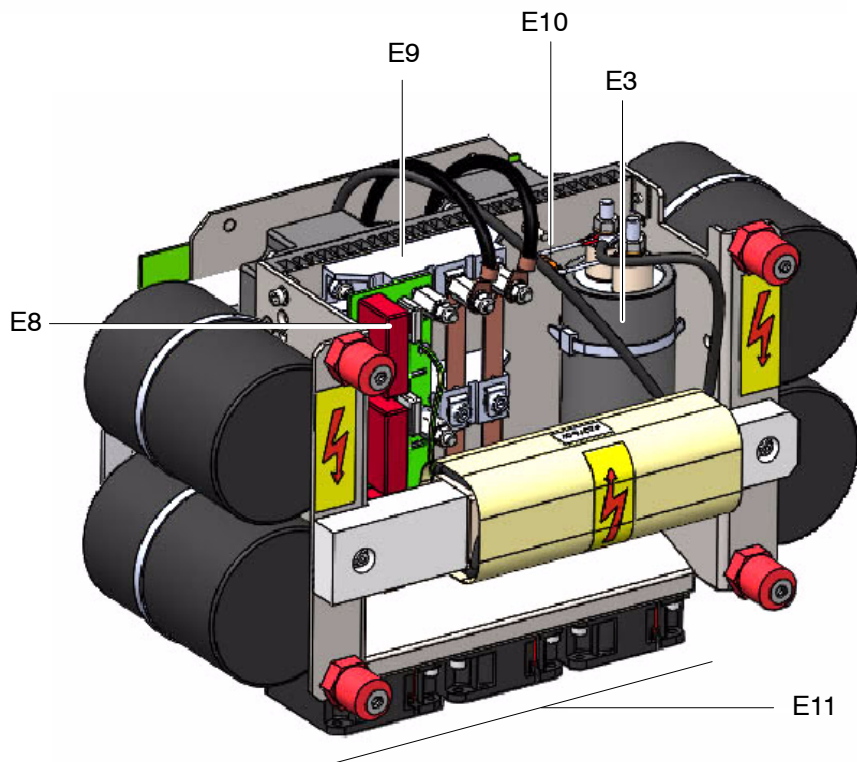
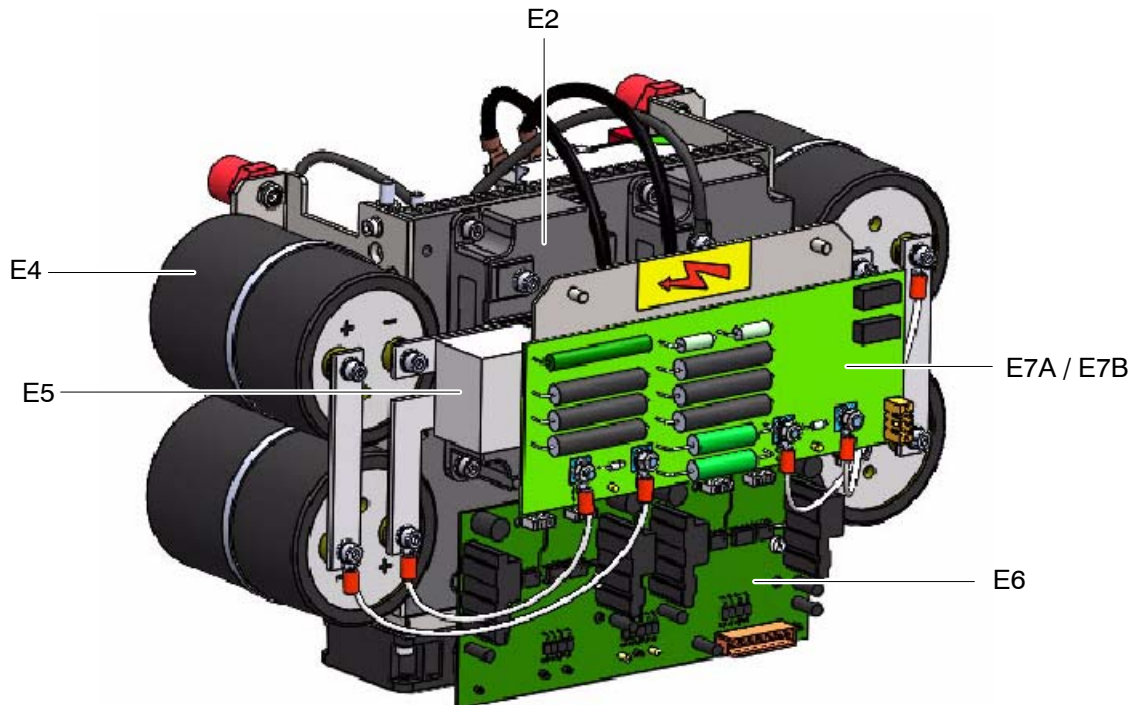
Renewal Parts

ITEM	DESCRIPTION	QTY	REFERENCE	REMARKS
D0	HIGH VOLTAGE TANK - HERMETICAL TANK (ALUMINIUM)			
D1	HV Tank, 1T, 230V	1	SAT-A6099-14	
	HV Tank, 1T, 400-440V	1	SAT-A6099-12	
	HV Tank, 1T, 480V	1	SAT-A6099-13	
D2	HV Tank, 1T, 230V, Heavy Duty	1	SAT-A6099-16	Includes Pressure Switch
	HV Tank, 1T, 400-440V, Heavy Duty	1	SAT-A6099-17	Includes Pressure Switch and Protective Caps
	HV Tank, 1T, 480V, Heavy Duty	1	SAT-A6099-18	Includes Pressure Switch and Protective Caps



ITEM	DESCRIPTION	QTY	REFERENCE	REMARKS
E0	INVERTER MODULE, MOD. 5			
E1	Inverter 3Ph, 208-230 V, Lo kW, w Fans, RF	1	SAT-A6862-20	
E1	Inverter 3Ph, 208-230 V, Hi kW, w Fans, RF	1	SAT-A6862-21	
E1	Inverter 1Ph, 230 V, Lo kW, w Fans, RF	1	SAT-A6862-25	
E1	Inverter 1Ph, 230 V, Hi kW, w Fans, RF	1	SAT-A6862-26	
E1	Inverter 1Ph, 230 V, 50 kW, w Fans, RF	1	SAT-A6862-91	
E1	Inverter 3Ph, 208-230 V, Lo kW, RAD	1	SAT-A6862-59	
E1	Inverter 3Ph, 208-230 V, Hi kW, RAD	1	SAT-A6862-60	
E1	Inverter 1Ph, 230 V, Lo kW, RAD	1	SAT-A6862-57	
E1	Inverter 1Ph, 230 V, Hi kW, RAD	1	SAT-A6862-61	
E1	Inverter 1Ph, 230 V, 50 kW, RAD	1	SAT-A6862-92	
E1	Inverter 3Ph, 400-480 V, HD, w Fans, RAD/RF	1	SAT-A6862-35	
E1	Inverter 3Ph, 400-480 V, w Fans, RAD/RF	1	SAT-A6862-40	
E1	Inverter 3Ph, 400-480 V, RAD	1	SAT-A6862-56	
E1	Inverter 3Ph, 400-480 V,80 kW, w Fans, RAD/RF	1	SAT-A6862-90	
E2	IGBT 400A / 600V	2	SAT-53416040	Used in Inverters A6862-20/25/59/57
E2	IGBT 600A / 600V	2	SAT-53416039	Used in Inverters A6862-21/26/60/61/91/92
E2	IGBT 300A / 1200V	2	SAT-53416038	Used in Inverters A6862-35/40/56
E2	IGBT 450A / 1200V	2	SAT-53416048	Used in Inverter A6862-90
E3	Capacitor 40 μ F, 450 VDC	1	SAT-54001006	C9, for 230 VAC Gen.
E3	Capacitor 10 μ F, 1000 VDC	1	SAT-54001011	C9, for 400-480 VAC Gen.
E4	Capacitor Elec. 3700 μ F, 450 VDC	4	SAT-54002011	C1, C2, C3 & C4 (For 1Ph Generators at 32 and 40 kW; and all 3Ph Generators)
E4	Capacitor Elec. 6200 μ F, 450 VDC	4	SAT-54002062	C1, C2, C3 & C4 (For 1Ph Generator at 50 kW)
E5	Capacitor 2 μ F, 1000 VDC	2	SAT-54008002	C10, C11
E6	PCB, IPM Driver	1	SAT-A3063-16	Both boards are interchangeable, the Generator can be equipped with either of them
		1	SAT-A3063-26	
E7A	PCB, Charge / Discharge Monitor	1	SAT-A3212-03	for 208-230 VAC (1 Ph / 3 Ph)
E7B			SAT-A3212-04	for 400-480 VAC (3 Ph)
E8	Input Rectifier Board	1	SAT-A3255-03	Includes 2 metallic Plates
E9	Rectifier SKKD 40F10	2/3	SAT-53404023	CR1, CR2, CR3 (only 2 for 1 Ph)
E9	Rectifier Diode	2	SAT-53404026	CR1, CR2 (For 1Ph Generator at 50 kW)
E10	Equipped Resistor	1	SAT-A3312-01	
E11	Fans	3	SAT-53103046	

E1



E2



E3



E4



E5



E6



A3063-16

E6



A3063-26

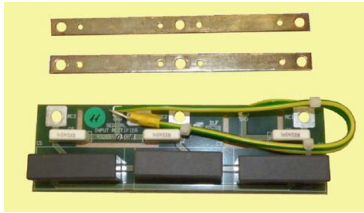
E7A



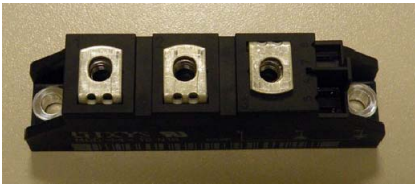
E7B



E8



E9



E10



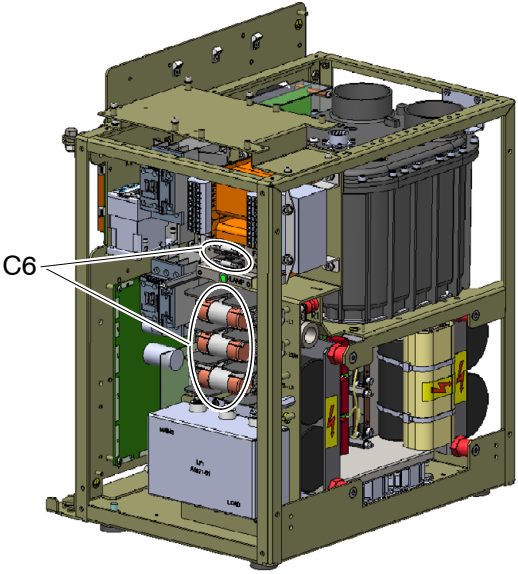
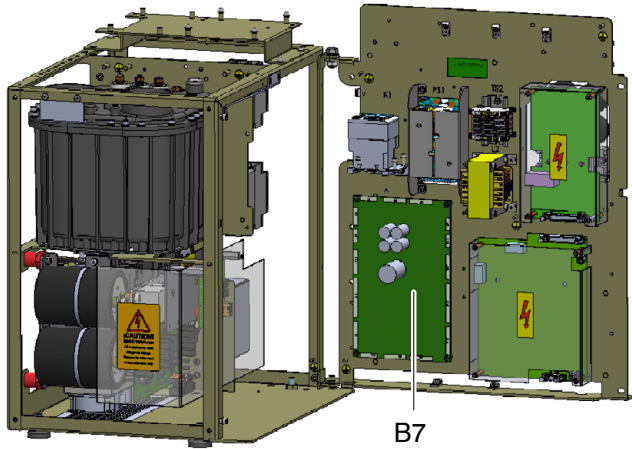
E11



X-ray System

Renewal Parts

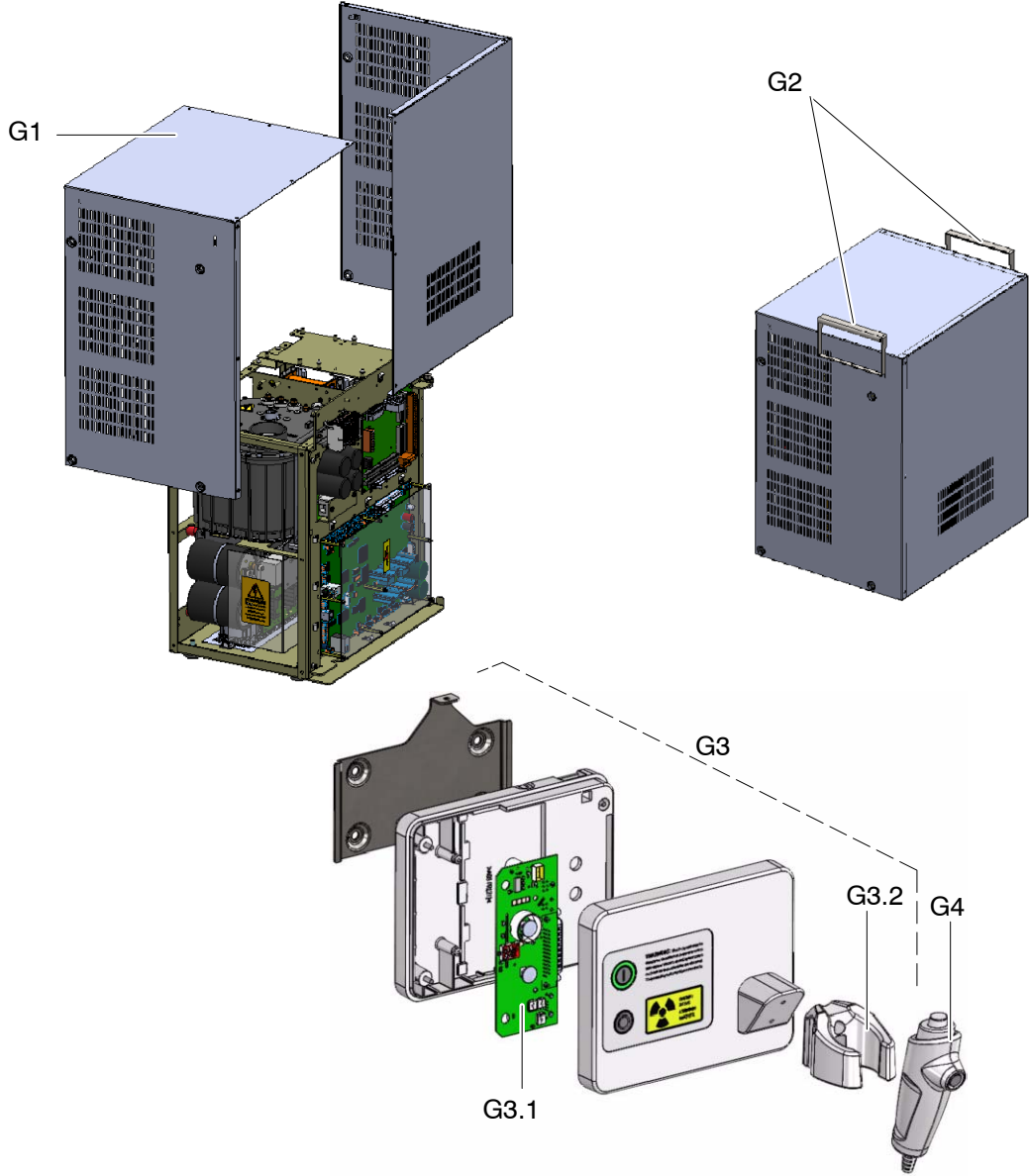
ITEM	DESCRIPTION	QTY	REFERENCE	REMARKS																
F0	FUSE KIT	1	A522018-01	<p>The Fuse Kit A522018-01 is common for all the 1-Phase and 3-Phase Generator models, except for 1-Phase 50 kW Generator, and comprises:</p> <table> <thead> <tr> <th><u>Reference</u></th> <th><u>Qty</u></th> </tr> </thead> <tbody> <tr> <td>53801002</td> <td>10</td> </tr> <tr> <td>53801003</td> <td>20</td> </tr> <tr> <td>53801008</td> <td>10</td> </tr> <tr> <td>53801011</td> <td>6</td> </tr> <tr> <td>53801012</td> <td>10</td> </tr> <tr> <td>53801013</td> <td>10</td> </tr> <tr> <td>C00809</td> <td>3</td> </tr> </tbody> </table>	<u>Reference</u>	<u>Qty</u>	53801002	10	53801003	20	53801008	10	53801011	6	53801012	10	53801013	10	C00809	3
		<u>Reference</u>	<u>Qty</u>																	
53801002	10																			
53801003	20																			
53801008	10																			
53801011	6																			
53801012	10																			
53801013	10																			
C00809	3																			
1	A522018-02	<p>The Fuse Kit A522018-01 is common for all the 1-Phase and 3-Phase Generator models, except for 1-Phase 50 kW Generator, and comprises:</p> <table> <thead> <tr> <th><u>Reference</u></th> <th><u>Qty</u></th> </tr> </thead> <tbody> <tr> <td>53801002</td> <td>10</td> </tr> <tr> <td>53801003</td> <td>20</td> </tr> <tr> <td>53801008</td> <td>10</td> </tr> <tr> <td>53801074</td> <td>4</td> </tr> <tr> <td>53801012</td> <td>10</td> </tr> <tr> <td>53801013</td> <td>10</td> </tr> <tr> <td>C00809</td> <td>3</td> </tr> </tbody> </table>	<u>Reference</u>	<u>Qty</u>	53801002	10	53801003	20	53801008	10	53801074	4	53801012	10	53801013	10	C00809	3		
<u>Reference</u>	<u>Qty</u>																			
53801002	10																			
53801003	20																			
53801008	10																			
53801074	4																			
53801012	10																			
53801013	10																			
C00809	3																			
B7	Fuse 1.5 A / 250 V SB		SAT-53801012	Supply Board: F1																
	Fuse 3 A / 250 V SB		SAT-53801003	Supply Board: F2																
	Fuse 4 A / 250 V SB		SAT-53801013	Supply Board: F3																
	Fuse 6.25 A / 250 V SB		SAT-53801002	Supply Board: F5																
	Fuse 10 A / 250 V SB		SAT-53801008	Supply Board: F4																
	Fuse 15 A / 1000 VDC		SAT-CC00809	Back Panel (TS2): F8																
C6	Fuse 50 A / 600 V SB		SAT-53801011	Input Line: F1, F2, F3 For 1-Phase or 3-Phase Generators, except for 1-Phase 50 kW Generator																
	Fuse 60 A / 600 VAC		SAT-53801074	Input Line: F1, F2, F3 Only for 1-Phase 50 kW Generator																
	Fuse 3 A / 250 V SB		SAT-53801003	Transformer: F4, F5																



X-ray System

Renewal Parts

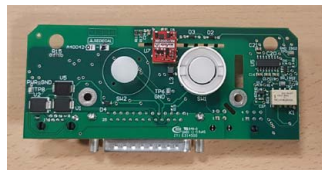
ITEM	DESCRIPTION	QTY	REFERENCE	REMARKS
G0	MISCELLANEOUS			
G1	Generator Cover	1	SAT-A11740-01	
G2	Handle Kit	1	SAT-28135-01	Optional
G3	Interface Box PC	1	SAT-AS00519	For using with a PC Includes Item G3.1 and G3.2
G3.1	PCB Interface Box	1	SAT-A40042-02	
G3.2	Hand Switch support	1	SAT-14653-01	
G4	Hand Switch equipped	1	SAT-A6805-16	
G5	Serial Console Cable SHFR 15m	1	A7756-11	



G3



G3.1



G3.2



G4

