

## TILTING WALL STAND

The tilting wall stand features an electric vertical lock and mechanical tilt lock. It comes standard as load right and can be reconfigured at installation for load left.

An optional version of this assembly is available with an inverted tilt mechanism. This allows for increased forward tilt. See specifications below.

### TRAVEL AND POSITION SPECIFICATIONS

Cabinet Tilt	Standard	+90° to -45° from vertical
	Inverted	+45° to -70° from vertical
Center of image plane vertical travel (cabinet vertical)	Standard	15.5" min to 79.0" max
	Inverted	10.0" min to 67.25" max
Wall to image plane (cabinet vertical)	28.0" (with wall header)	

### MOUNTING SPECIFICATIONS

Wall to rear of column	1.5" or 2.25" (with header)
Minimum ceiling height	85.5" from finished floor
Wall bracket mounting hole centers	Four total, 84" from finished floor
Wall mounting bolt specification	Four screws, Minimum pull-out force of 250 lbs each (total 1000 lbs)
Floor mounting bolt location	Minimum pull-out force of 500 lbs each

### ELECTRICAL REQUIREMENT FOR ELECTRIC LOCK

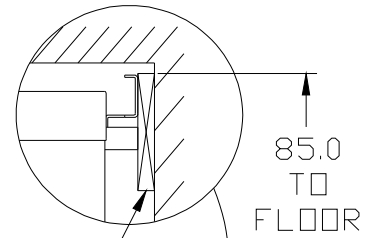
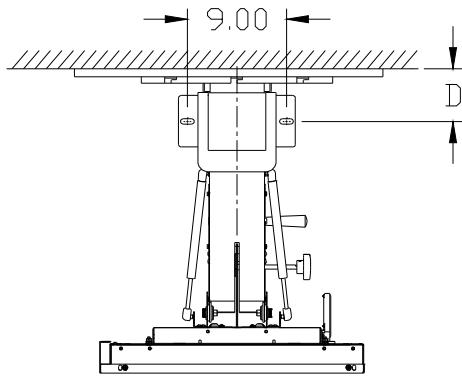
24 VDC, 1 Amp, from 05970 power supply or applicable x-ray generator <i>OR</i> 24 VAC, 1 Amp from 02307 power supply or appropriate power source
---

### SHIPPING INFORMATION

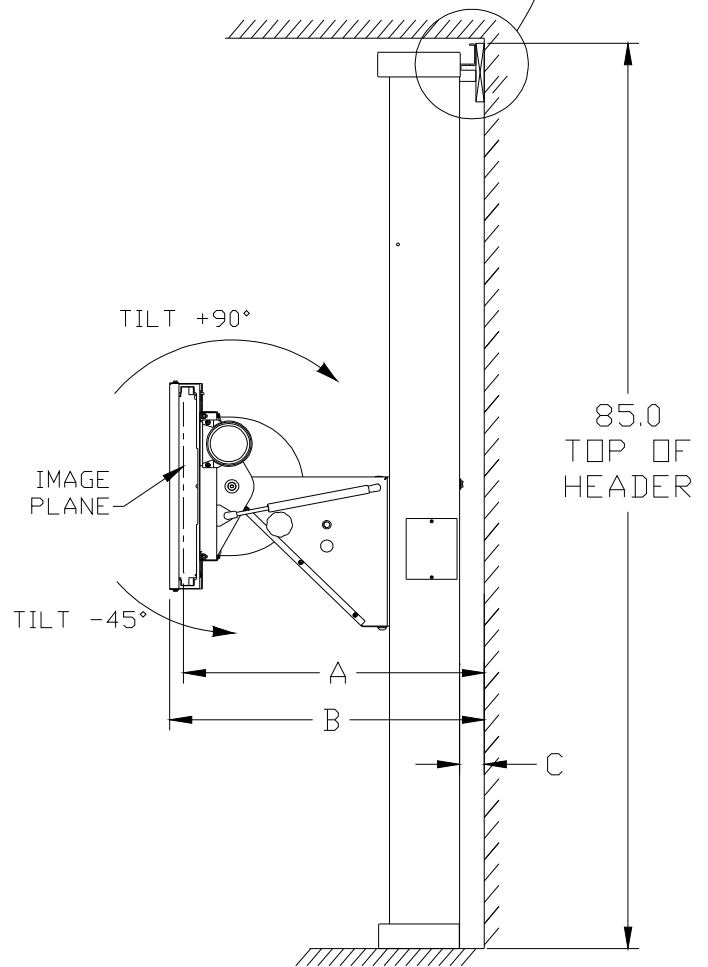
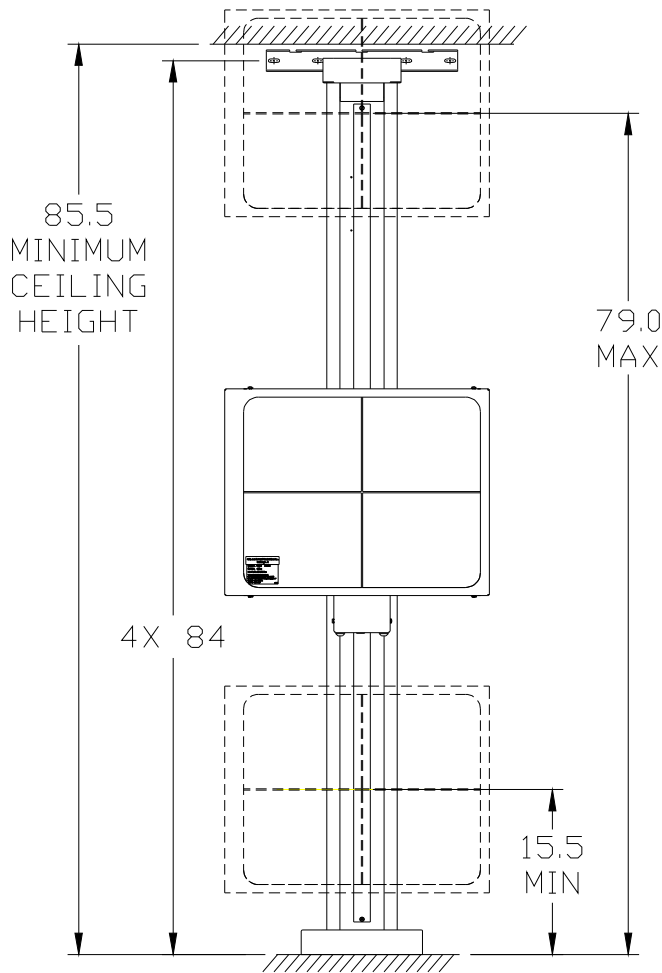
CONTENTS	DIMENSIONS	WEIGHT
S102 (on pallet)	32 x 96 x 51h inches	400 lb

Specifications subject to change without notice.

# TILTING WALL STAND Model S102

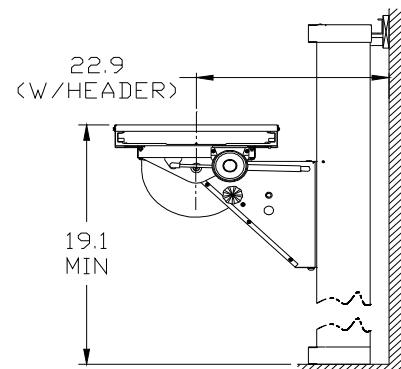


1x6 (SHOWN) OR 1x4  
HEADER RECOMMENDED

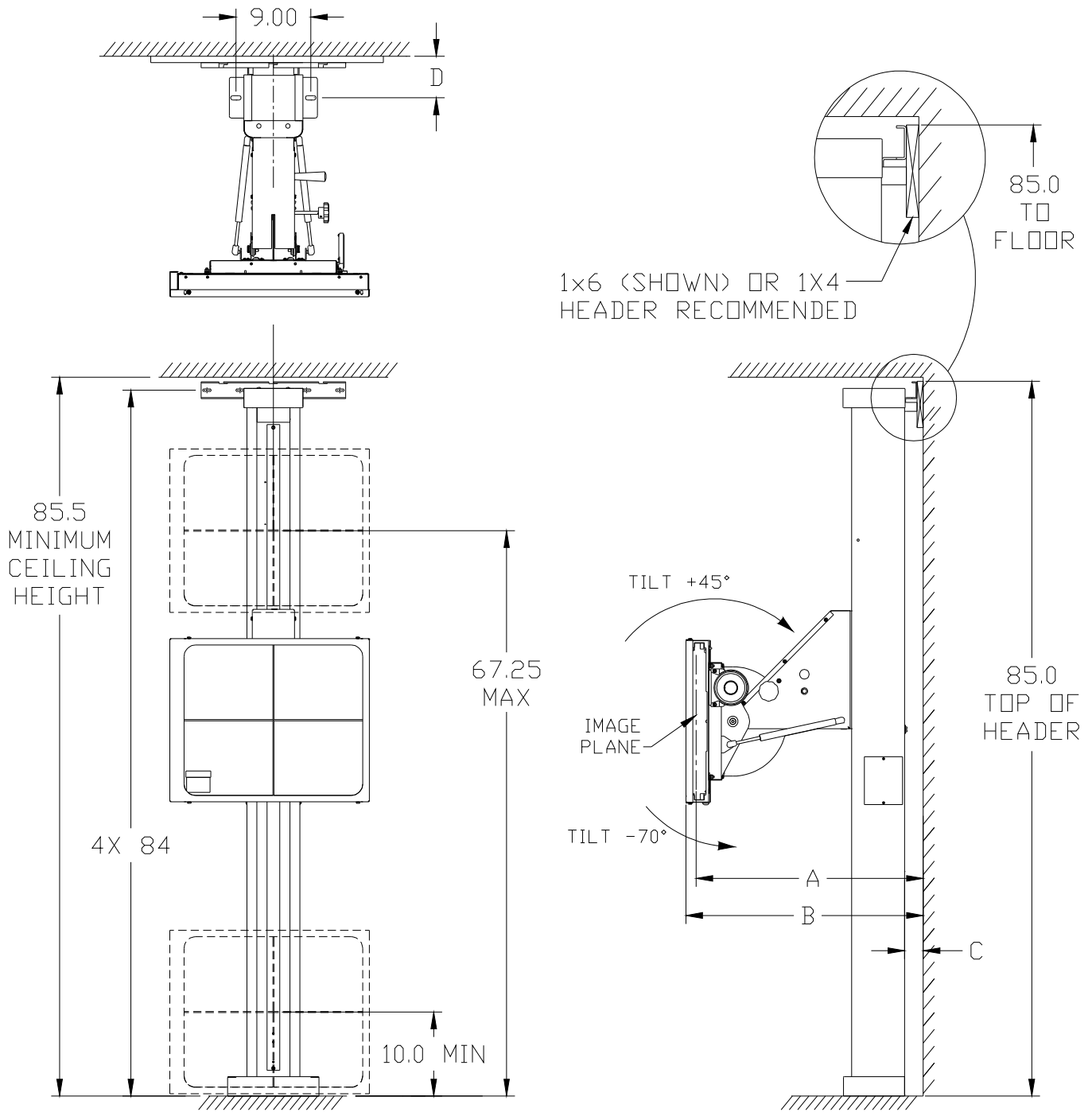


All dimensions in inches  
S102 shown with standard film grid cabinet

INSTALLATION	DIMENSION			
	A	B	C	D
BRACKET ONLY	26.5	27.75	1.5	4.25
BRACKET WITH HEADER (shown)	27.25	28.5	2.25	5.0



# INVERTED TILTING WALL STAND Model S102



All dimensions in inches  
S102 shown with standard film grid cabinet

INSTALLATION	DIMENSION			
	A	B	C	D
BRACKET ONLY	26.5	27.75	1.5	4.25
BRACKET WITH HEADER (shown)	27.25	28.5	2.25	5.0