

FULL SPINE WALL STAND

The full spine wall stand features vertical cabinet motion with an electric vertical lock.

Product options:

Load Left or Right, DR Position Detents, Patient Grip Package (handle and socket), Grid, Tray

TRAVEL AND POSITION SPECIFICATIONS

Image plane vertical travel (floor to center)	Without DR Position Detents	17.75” min to 65” max
	With DR Position Detents	18.75” min to 65” max
Wall to image plane	6.5” (mounted flush to wall)	

MOUNTING SPECIFICATIONS

Wall to rear of frame	Flush (offset by header thickness if using)
Minimum ceiling height	80" from finished floor
Wall mounting holes	Two: 16” apart, 69.88" from finished floor
Wall mounting screw specification	Two screws, Minimum pull-out force of 250 lbs each (total 500 lbs)
Floor mounting	Two screws required (with anchors if necessary)

ELECTRICAL REQUIREMENT FOR ELECTRIC LOCK

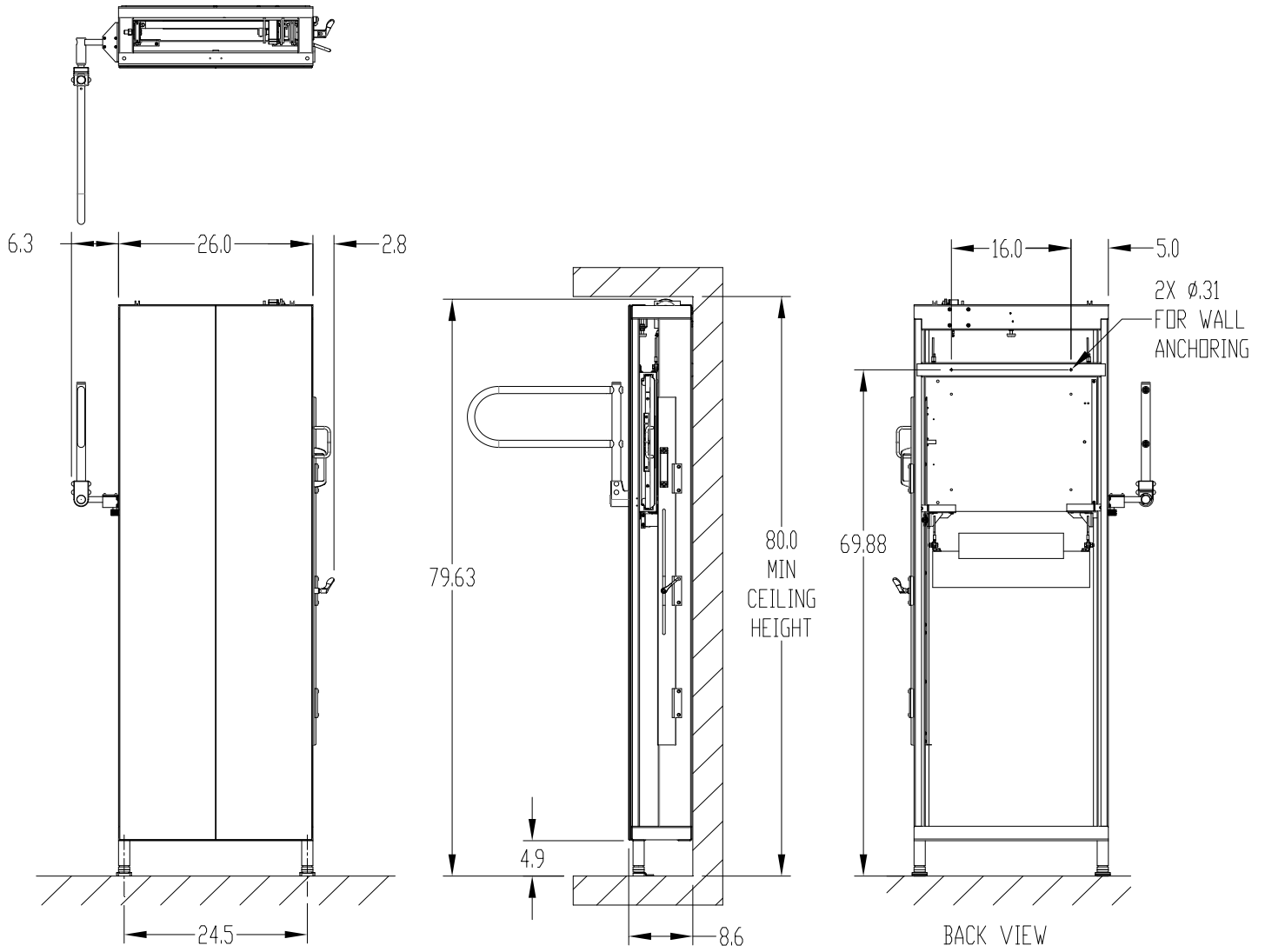
24 VDC, 1 Amp, from 05970 power supply or applicable x-ray generator
--

SHIPPING INFORMATION

CONTENTS	DIMENSIONS	WEIGHT
A172F (on pallet)	96 X 32 X 45	350 lbs

Specifications subject to change without notice.

FULL SPINE WALL STAND Model A172F



Product shown Load Right with optional DR Position Detents and Patient Grip Package.

