

# ROTATING TUBE STAND WITH TRANSVERSE

Standard Tubemount & Rail Length will vary with configurations (available with Platform Tubemount or either 6" or 6-3/4" Trunnion Rings & either 8' or 10' rails).

## TRAVEL AND ALIGNMENT

Longitudinal travel of focal spot	75.7" for 8 ft. rail 99.7" for 10 ft. rail	
Transverse travel of focal spot	± 5" from detent position	
Vertical travel of focal spot (focal spot to floor)	76.8" max, Platform, (Beam Vertical) 76.4" – 76.9" max, Trunnion (Beam Vertical) 13.5" min, (Beam Horizontal)	
Range of trunnion motion (when so equipped)	+82°, -15° (with standard collimator)	
Angulation	360°	
Column rotation	360°(where installation permits)	
Wall to focal spot at detent position (with 2" x 6" wall header)	Platform	39.2"
	Trunnion Ring	40.3"

## MOUNTING SPECIFICATIONS

Ceiling height	Min. 93.0" Max. 120.0"
Wall/Ceiling mounting bolt specification	Minimum pull-out force of 500 lbs. each
Floor mounting bolt location	Minimum pull-out force of 500 lbs. each

## ELECTRICAL

24 VDC, 2 Amp to come from 02307 power supply (sold separately) or applicable x-ray generator.

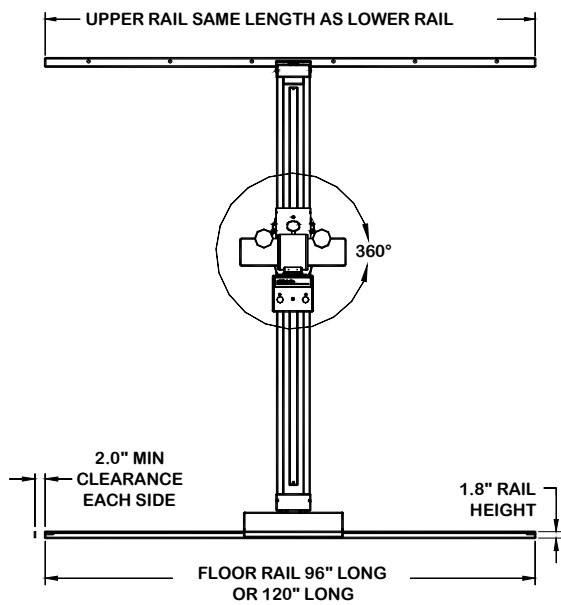
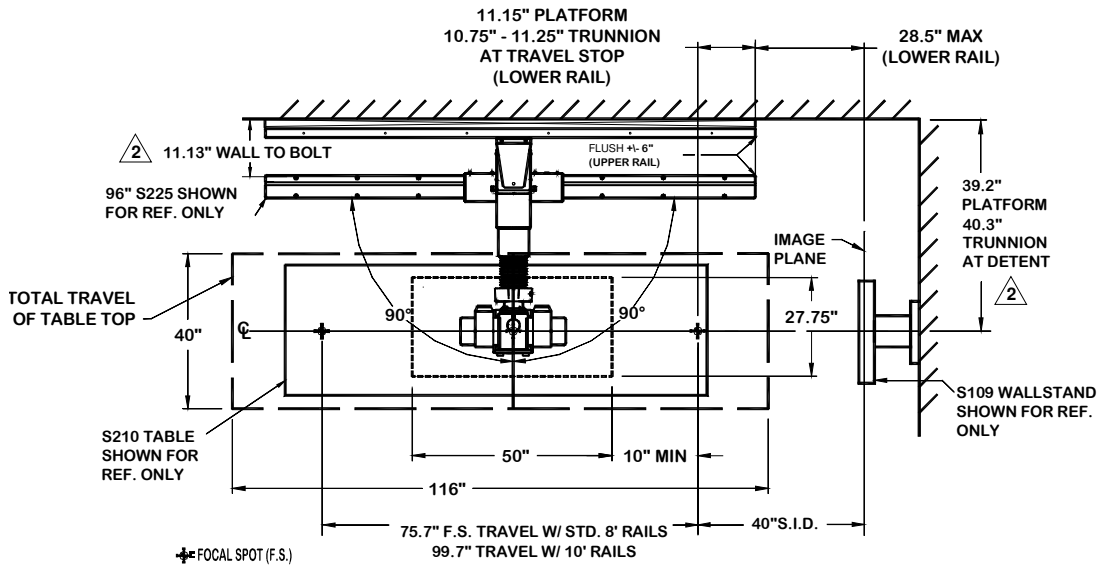
## SHIPPING INFORMATION

CONTENTS	DIMENSIONS	WEIGHT
Complete Column	97 x 43 x 8 inches	245 lbs.
Rails	8 x 9 x 96 inches	23 lbs.

Specifications subject to change without notice.

# ROTATING TUBE STAND WITH TRANSVERSE

## S225



**NOTES:**

- △1 ONLY WHEN EQUIPPED WITH TRUNNION RINGS.
- △2 DIMENSION WITH 2" x 6" (1.5" x 5.5" ACTUAL) HEADER.

