

S203 STATIONARY TUBE STAND, FLOOR TO WALL MOUNT

TRAVEL AND ALIGNMENT

Vertical travel of focal spot (focal spot to floor)	9.5" min (Beam Horiz.) 73.5" max (Beam Horiz.)
Angulation (All)	360°
Wall to focal spot	18.62" Standard Other Options Available (see Table A, Pg.2)
Vertical Lock Options	Electromagnetic Mechanical

MOUNTING SPECIFICATIONS

Ceiling height	85.5" min.
Wall mounting bolt specification	Minimum pull-out force of 500 lbs. each
Floor mounting bolt location	Minimum pull-out force of 500 lbs. each

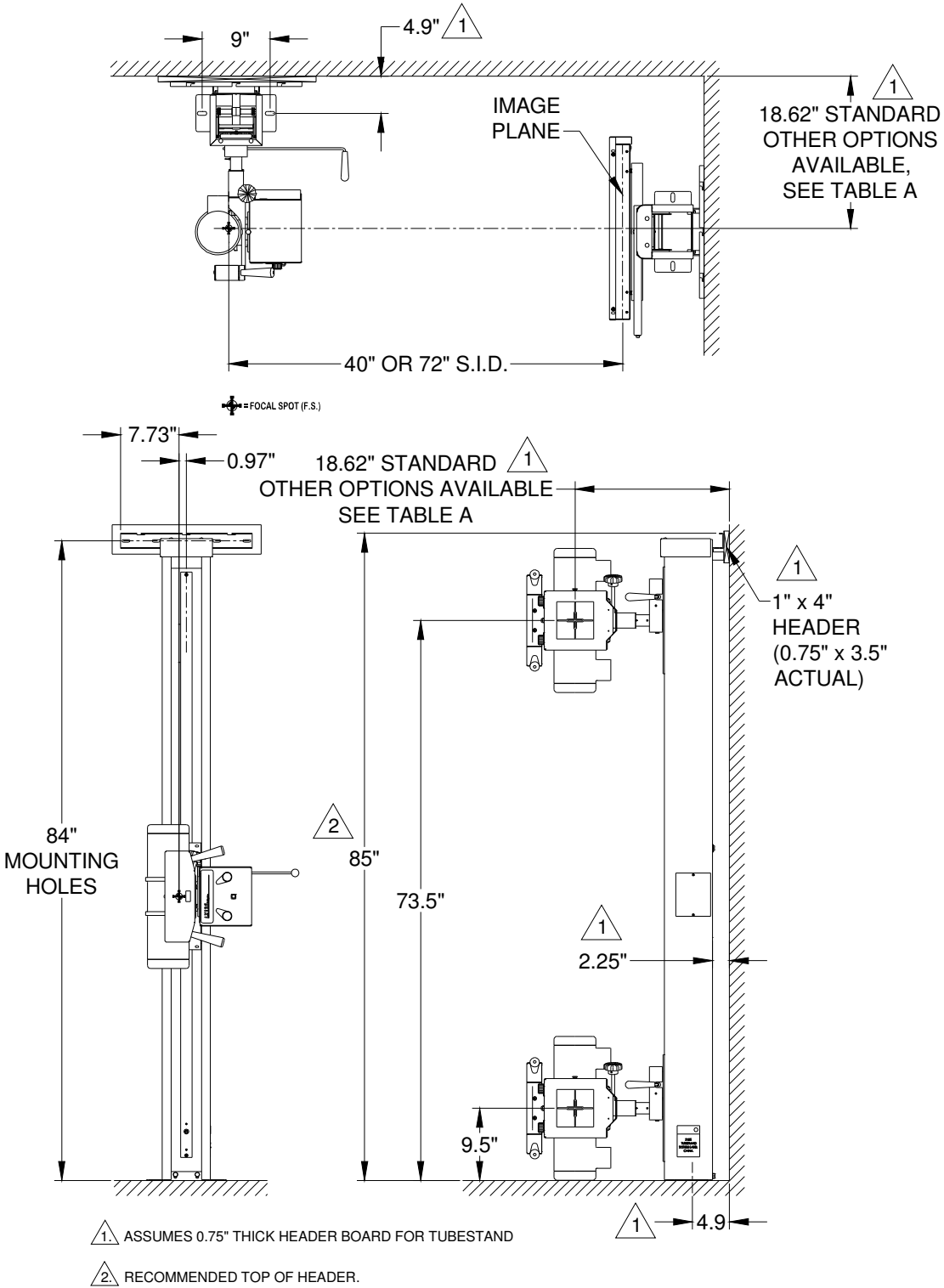
ELECTRICAL (For Electromagnetic Lock Option Only)

24 VDC, 1 Amp to come from 05970 power supply (sold separately) or applicable x-ray generator.
--

SHIPPING INFORMATION (weight lbs, [dimensions] in inches.)

Column Assembly	136 [88 x 10 x 8.5]
Accessory Kit w/Tube arm Assembly	40 [29 x 28 x 10]

Specifications subject to change without notice.



1. ASSUMES 0.75" THICK HEADER BOARD FOR TUBESTAND

2. RECOMMENDED TOP OF HEADER.

TABLE A	DISTANCE, FS TO FRONT OF COLUMN	DISTANCE, FS TO WALL OR BACK OF UPPER RAIL	PART NUMBER OF TUBE ARM KIT
	10"	18.62"	06237-008
	14"	22.62"	06237-012
	17"	25.62"	06237-015
	19"	27.62"	06237-017
	23"	31.62"	06237-021