

# NON-ROTATING TUBE STAND WITH TRANSVERSE

Eight-foot rails and platform mount are standard. Options include five foot rails, ten foot rails, 6" trunnion rings, and 6 3/4" trunnion rings.

## TRAVEL AND ALIGNMENT

Longitudinal travel of focal spot	39.2" for 5 ft. rail 75.2" for 8 ft. rail 99.2" for 10 ft. rail
Vertical travel of focal spot (Standard T.B.)	73.5 max (beam vertical) 72.5 max (beam horizontal) 13.25 min (beam horizontal)
Range of trunnion motion	+82°, -15° (with standard collimator)
Angulation	360°
Transverse travel of focal spot	± 5" from detent position
Wall to focal spot at transverse detent position	36"

## MOUNTING SPECIFICATIONS

Ceiling height	88" - 121" wall mount or ceiling mount
Wall/Ceiling mounting bolt specification	Minimum pull-out force of 500 lbs. each
Floor mounting bolt specification	Minimum pull-out force of 500 lbs. each

## ELECTRICAL

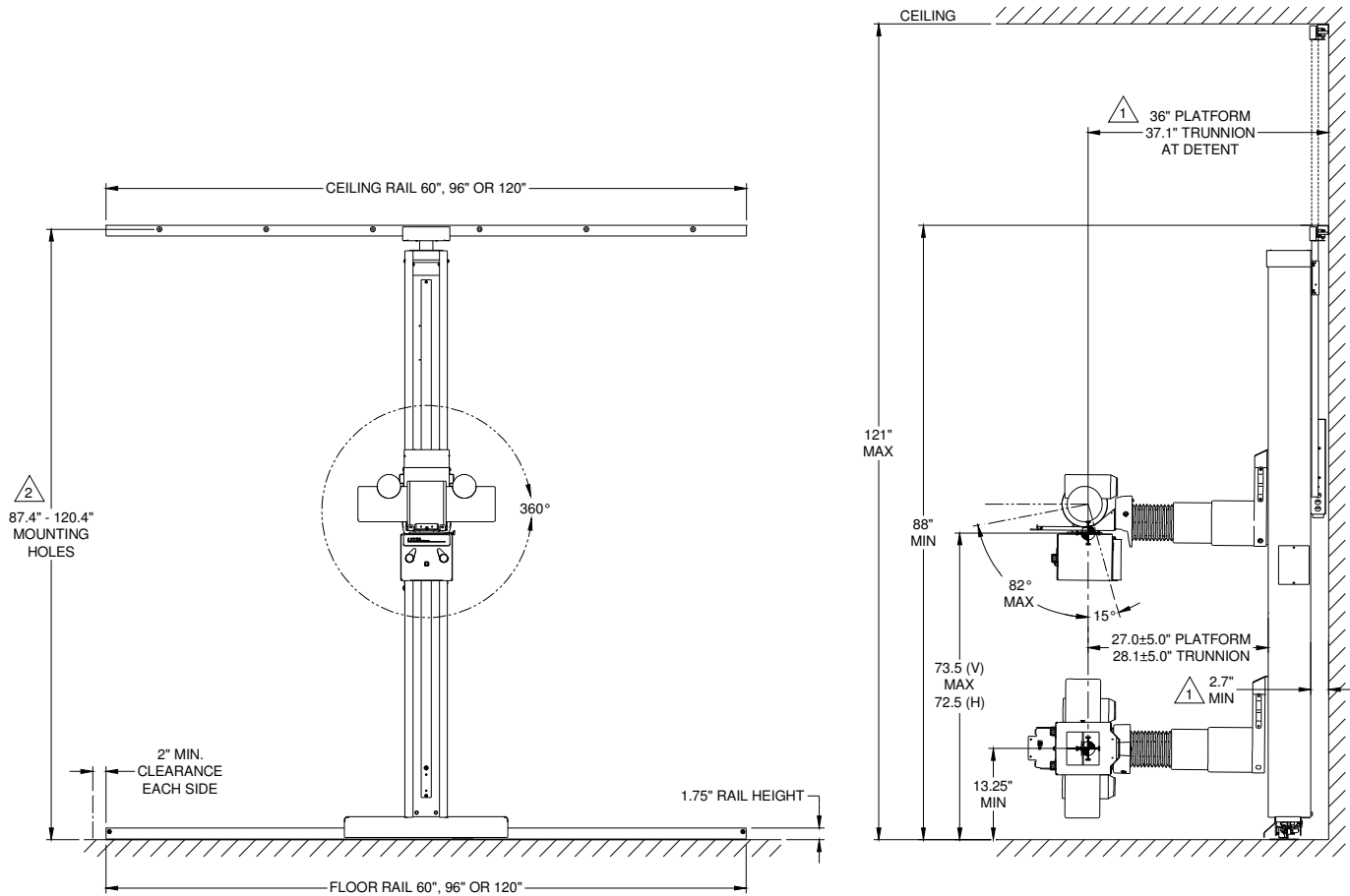
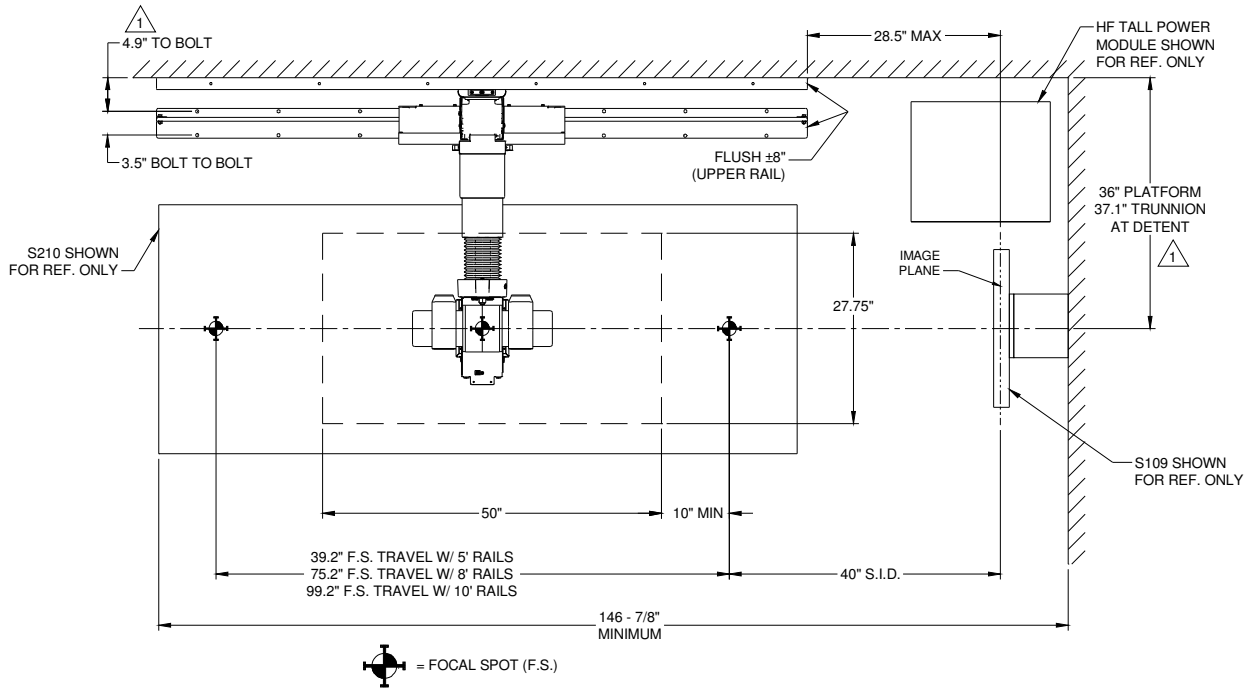
24 VDC, 2 Amp to come from 02307 power supply (optional) or applicable x-ray generator.

## SHIPPING INFORMATION (weight lbs, [dimensions] in inches.)

	5 ft Rail	8 ft Rail	10 ft Rail
Column Assembly	245 [97 x 43 x 8]		
Ceiling Extension Kit	12 [66 x 5.5 x 4.5]		
Rail Kit	22 [66 x 5.5 x 4.5]	35 [100 x 5.5 x 4.5]	44 [124 x 5.5 x 4.5]

Specifications subject to change without notice.

# NON-ROTATING TUBE STAND WITH TRANSVERSE S114



1. ASSUMES NO HEADER BOARD INSTALLED, DIMENSION TO BACK OF UPPER RAIL.

2. IF HEADER BOARD IS NEEDED FROM UPPER RAIL, MOUNT IT WITH ITS CENTER AT 87.4" - 120.4" ABOVE FLOOR.