

HEAVY DUTY TUBE STAND, FLOOR TO WALL / CEILING MOUNT

TRAVEL AND ALIGNMENT

Longitudinal travel of focal spot (Rail Mount)	39.2" for 5ft. rail 75.2" for 8 ft. rail 99.2" for 10 ft. rail	
Vertical travel of focal spot (focal spot to floor)	Rail Mount	13.0" min (Beam Horiz.) 73.0" max (Beam Horiz.) 74.0" max (Beam Vert.)
	Stationary	13.0" min (Beam Horiz.) 69.75" max (Beam Horiz.)
Angulation (All)	360°	
Wall to focal spot	Rail Mount	21", 30", 34" Available
	Stationary	20.5", 29.5", 33.5" Available

MOUNTING SPECIFICATIONS

Ceiling height	Rail Mount	88" – 121"
	Stationary	85" min.
Wall/Ceiling mounting bolt specification	Minimum pull-out force of 500 lbs. each	
Floor mounting bolt location	Minimum pull-out force of 500 lbs. each	

ELECTRICAL

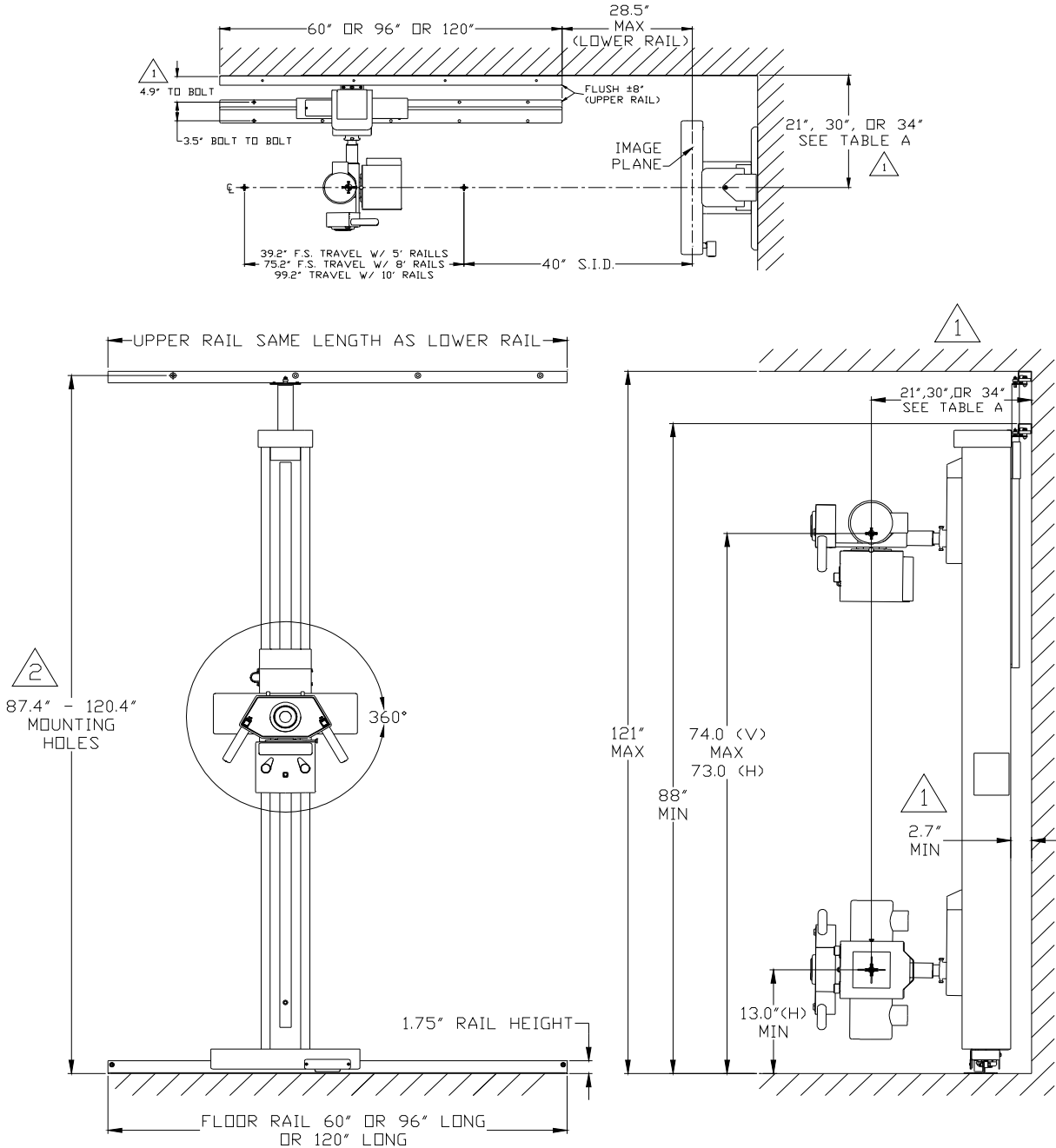
24 VDC, 1 Amp to come from 02307 power supply (sold separately) or applicable x-ray generator.

SHIPPING INFORMATION (weight lbs, [dimensions] in inches.)

	Stationary	5 ft Rail	8 ft Rail	10 ft Rail
Column Assembly	145 [88 x 10 x 8.5]			
Accessory Kit w/Tube arm Assembly	70 [29 x 28 x 10]			
Ceiling Extension Kit	---	12 [66 x 5.5 x 4.5]		
Rail Kit	---	22 [66 x 5.5 x 4.5]	35 [100 x 5.5 x 4.5]	44 [124 x 5.5 x 4.5]

Specifications subject to change without notice.

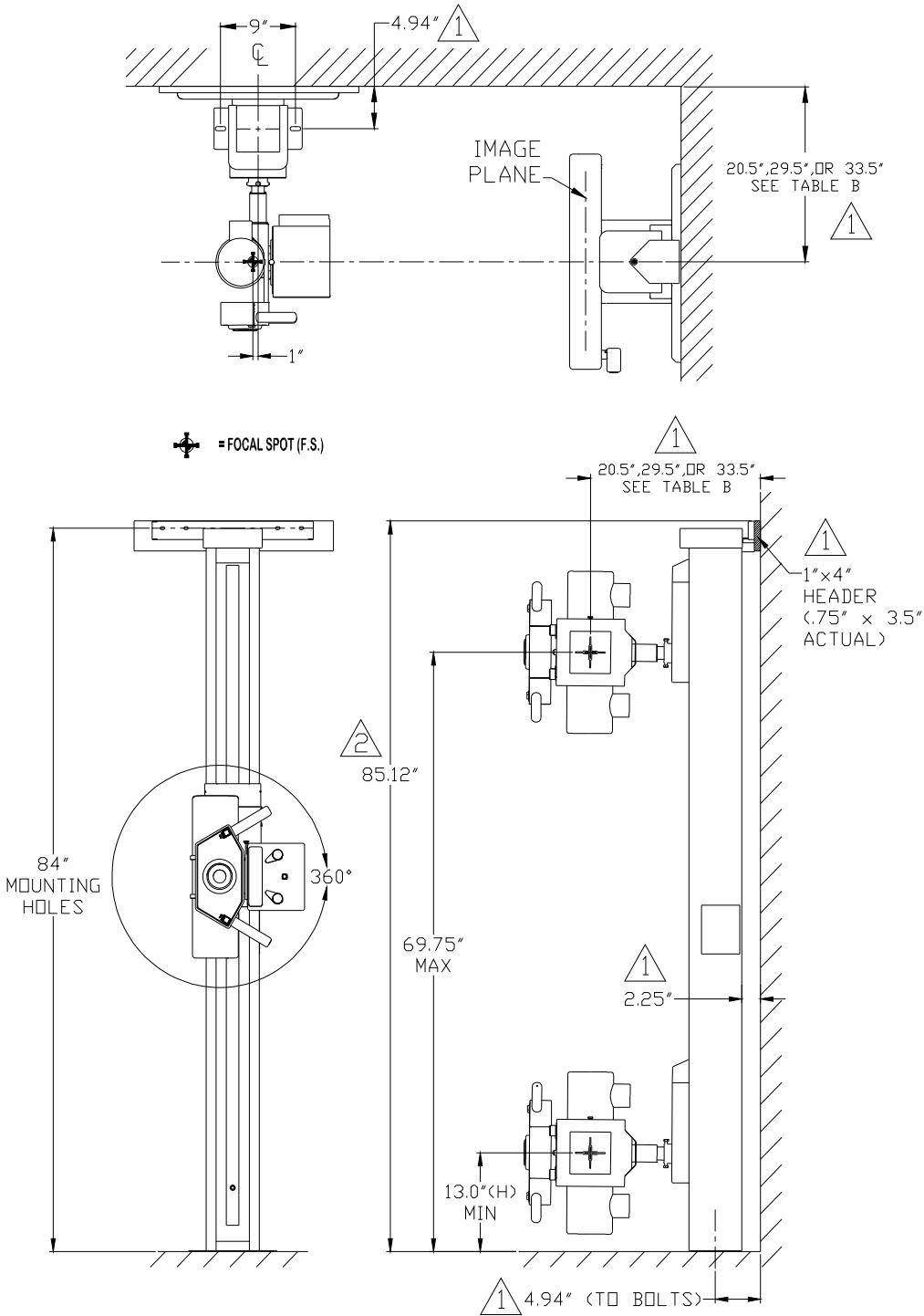
S113 RAIL MOUNT



- ① ASSUMES NO HEADER BOARD INSTALLED, DIMENSION TO BACK OF UPPER RAIL.
- ② IF HEADER BOARD IS NEEDED FOR UPPER RAIL, MOUNT IT WITH ITS CENTER AT 87.4" - 120.4" ABOVE FLOOR.

TABLE A	DISTANCE, FS TO FRONT OF COLUMN	DISTANCE, FS TO WALL OR BACK OF UPPER RAIL	PART NUMBER OF TUBE ARM KIT
	11-7/8"	21"	06880-001 (8" arm)
	20-7/8"	30"	06880-002 (17" arm)
	24-7/8"	34"	06880-003 (21" arm)

S113 STATIONARY



1 ASSUMES 0.75" THICK HEADER BOARD FOR TUBE STAND.
2 RECOMMENDED TOP OF HEADER AND MIN. CEILING HEIGHT.

	DISTANCE, FS TO FRONT OF COLUMN	DISTANCE, FS TO WALL	PART NUMBER OF TUBE ARM KIT
TABLE B	11-7/8"	20.5	06880-001 (8" arm)
	20-7/8"	29.5	06880-002 (17" arm)
	24-7/8"	33.5	06880-003 (21" arm)