

FLOOR MOUNT TUBE STAND

DIGITAL FLOOR MOUNT TUBE STAND

FOCAL SPOT MOTION

Vertical travel, distance
 from floor 14.56 inches minimum with beam horizontal,
 72.44 inches maximum with beam vertical

Longitudinal travel 96 inches (with standard 10 foot floor plate)

Transverse travel 8.5 inches total

Tube angulation $\pm 135^\circ$ with detents at zero and $\pm 90^\circ$

Column rotation $\pm 180^\circ$ where installation conditions permit.
 Column detents at 90° intervals.

SPACE REQUIREMENTS

Minimum ceiling height 92.5 inches

Floor plate dimensions 10 feet x 18 inches x 1.25 inches standard
 (8 foot version available)

Wall to floor plate 5.5 inches minimum, allows $\pm 90^\circ$ column rotation

Wall to focal spot Platform: 43.0 inches in detent, at 5.5 min wall to floor plate
 Trunnion: 44.13 inches in detent, at 5.5 min wall to floor plate
 Adjustable ± 0.5 inch

ELECTRICAL 120 VAC, 2 Amps continuous. A 20 foot, #14 AWG 3 conductor supply cable with a plug for 120 Volt outlet is provided.

MOUNTING SPECIFICATIONS

Floor to be level in all directions. Carpeted flooring is not recommended.

Five floor anchors (provided), each with a minimum of 500 lbs pullout force required.

For reference, a 3/8" steel expansion bolt with 2" of embedment in 3000 psi concrete provides at least 600 lbs of pullout strength.

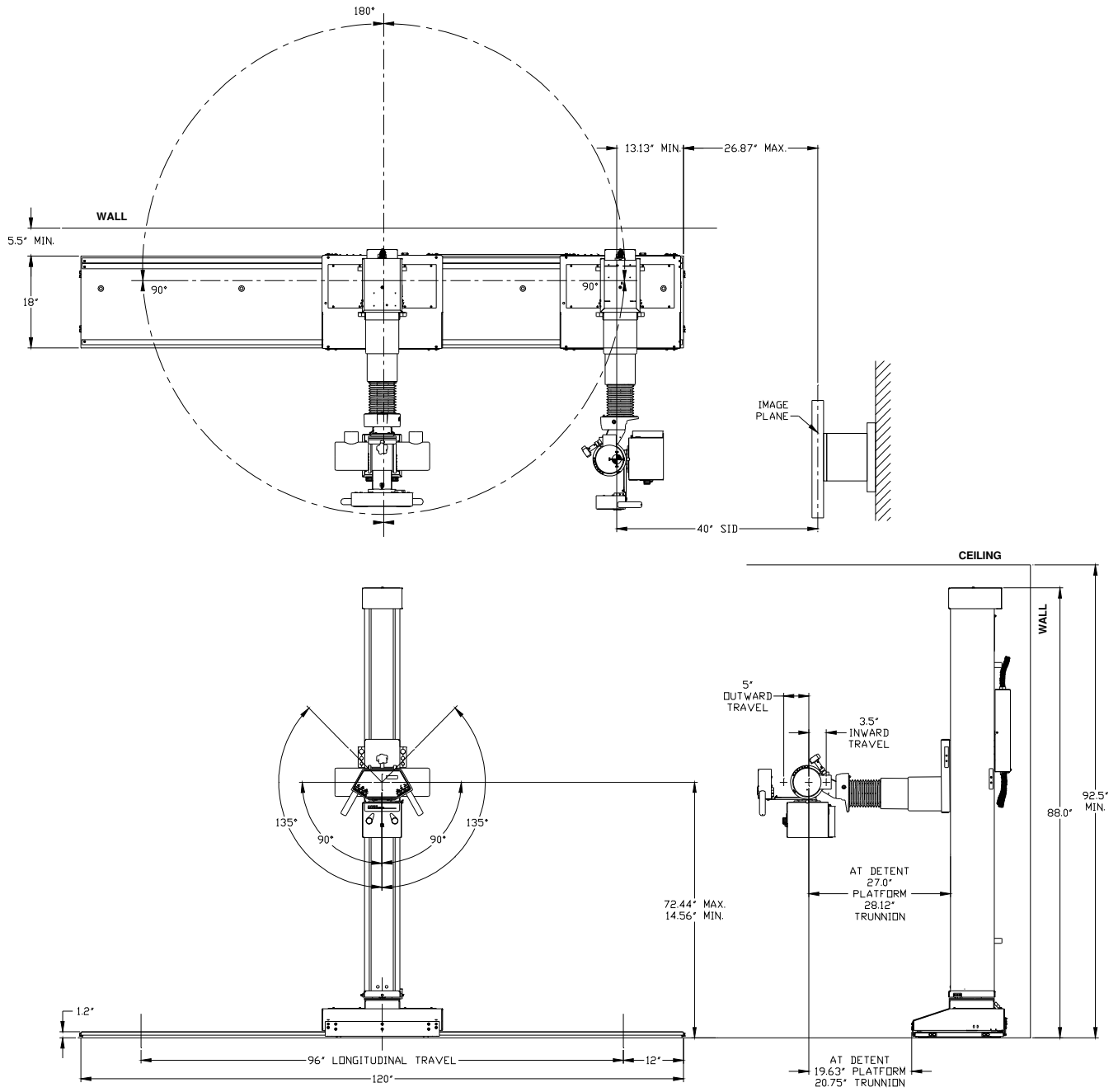
SHIPPING INFORMATION

This product is shipped as one carton and one palletized carton.

Contents	Dimensions	Weight
Floor plate	124 x 19 x 3 inches	140 pounds gross 130 pounds net
Column, transverse arm, base ass'y, tube mount, junction box, cables	90 x 35 x 12 inches, on a pallet	450 pounds gross 365 pounds net

Specifications subject to revision

FLOOR MOUNT TUBESTAND



DIGITAL FLOOR MOUNT TUBESTAND

