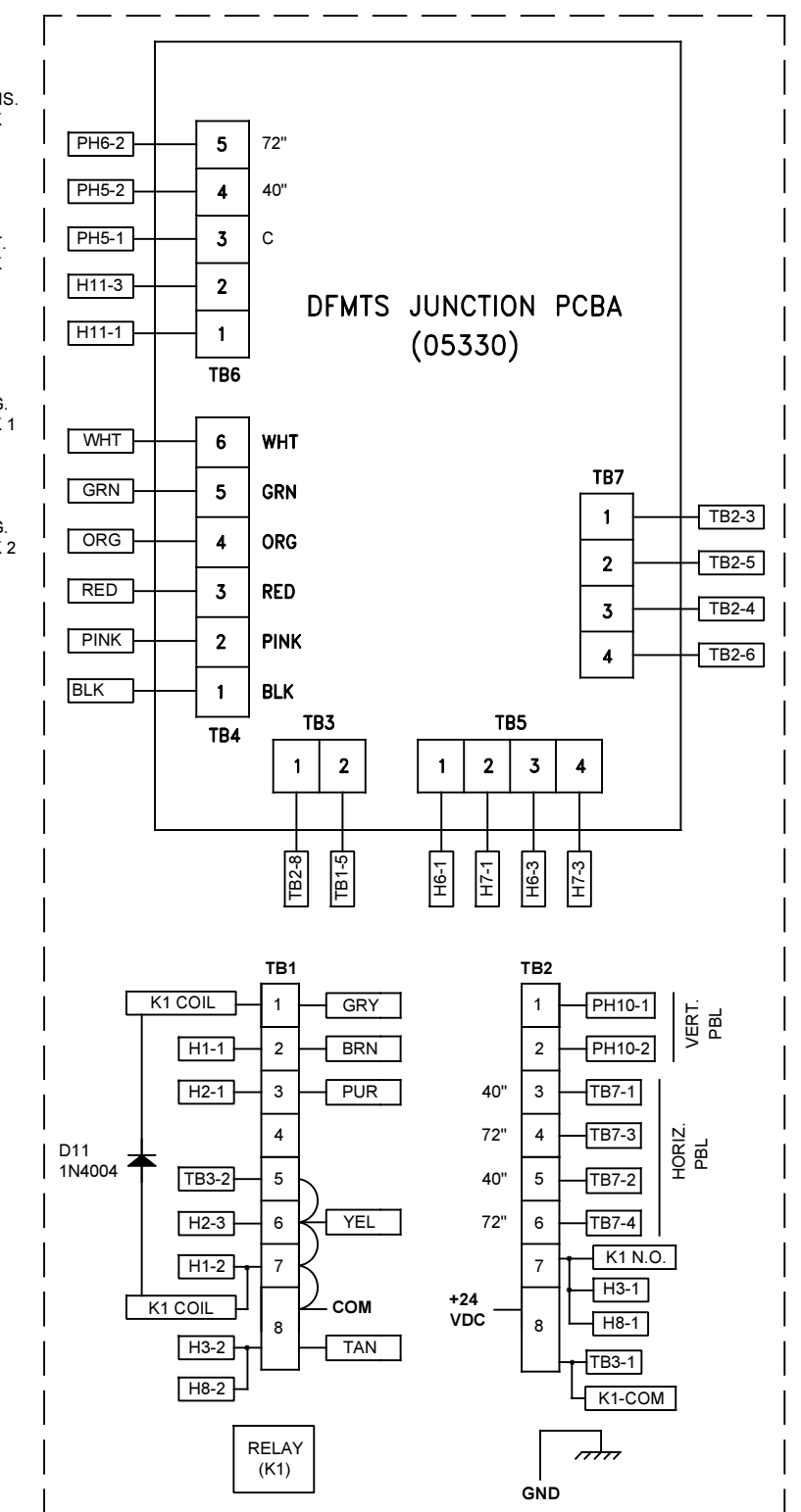
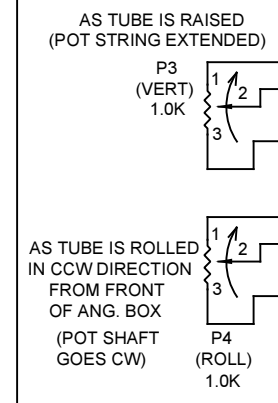
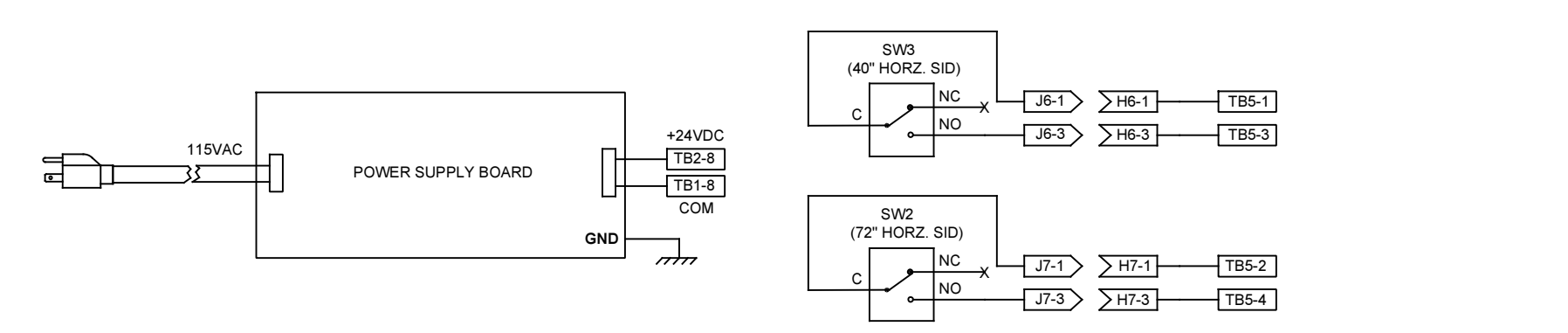
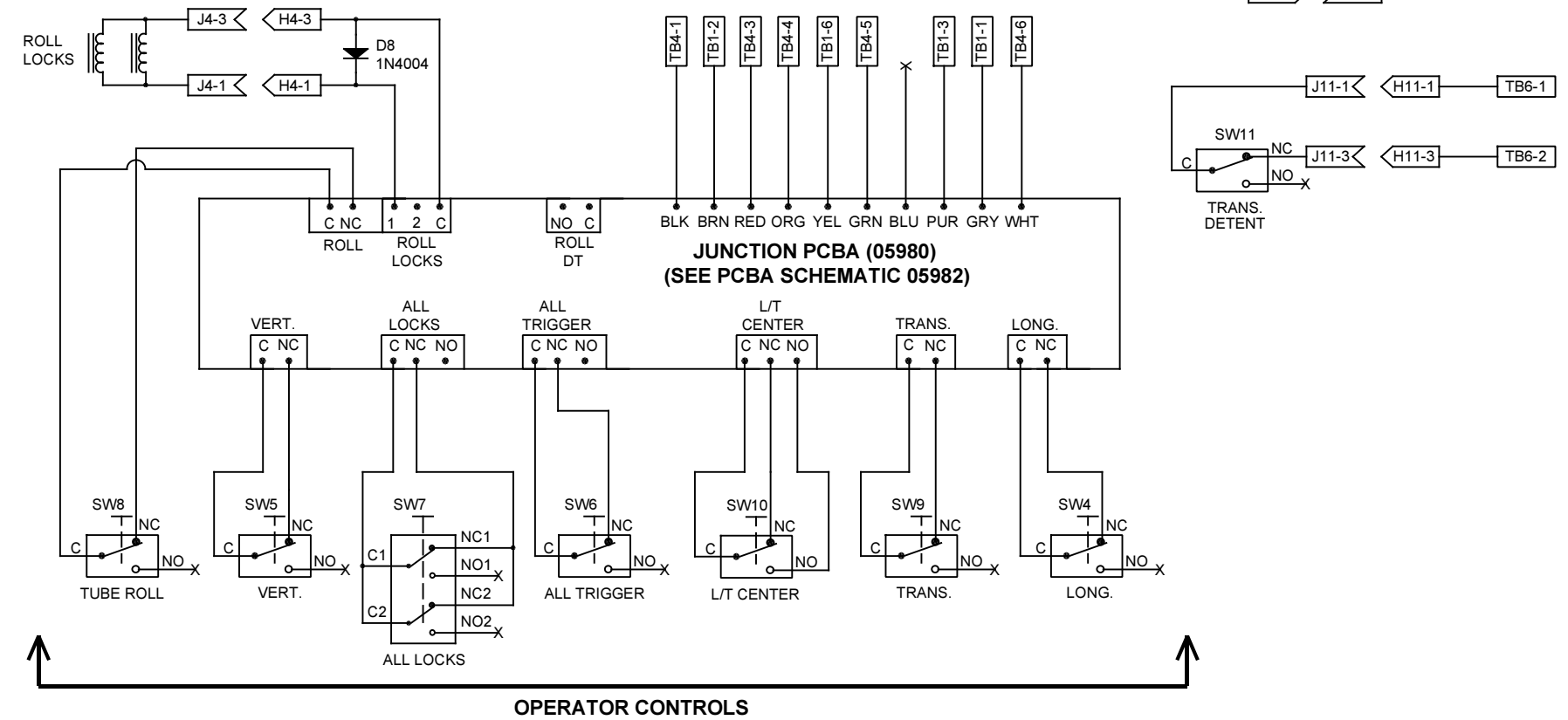
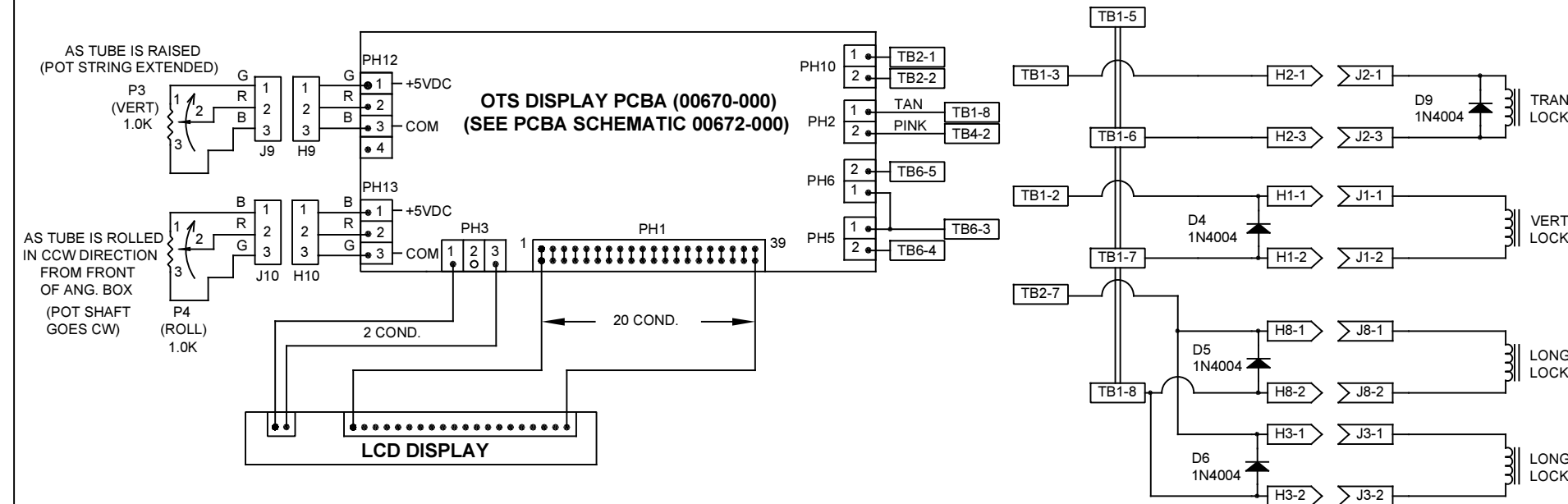


JUNCTION BOX



NOTE: TB2-1 & -2 USED FOR 40" DISCRETE VERT. SID SWITCH (PBL)
 TB2-3 & -5, -4 & -6 USED FOR 40" & 72" DISCRETE HORIZ. SID SW (PBL)



TOLERANCE UNLESS OTHERWISE SPECIFIED

SUMMIT INDUSTRIES, INC.
 2901 W. LAWRENCE AVE, CHICAGO, IL
 TEL 733-588-2480 FAX 733-588-0983

TITLE: **DIAGRAM, OVERALL SCHEMATIC, DFMTS**

C	7191	REVISED JUNCTION PCBA P/N	PT	6/17/11	DM
B	6763	CORRECTED POLARITY OF D8	PT	5/07/10	SC
A	6647	RELEASED	PT	3/19/10	SC
LTR	ECR	REVISION	BY	DATE	CHKD BY

SCALE	NONE	FINISH	NONE
DWG BY	DATE	APPROVED	DATE
PT	02/08/10	---	---
SIZE	C	SHEET	1 OF 1
PART NO.	05375	REV	C