

OVERHEAD TUBE SUPPORT

FOCAL SPOT MOTION

- Vertical travel..... 18¼ inches [464mm] minimum (for 9 ft ceiling height)
 78¼ inches [1988mm] maximum (for 9 ft ceiling height)
 6 inches [152mm] column extension optional
- Longitudinal travel..... 140 inches [3556mm] with standard 167 inch [4242mm] rails
 164 inches [4166mm] with optional 191 [4851mm] inch rails
- Transverse travel 90 inches [2286mm]
- Tube angulation ±120 deg with detents at zero and ±90
- Column rotation..... ±150 deg with detents at zero and ±90

TUBE MOUNTING.....

- 6 inch diameter trunnion rings standard 6-3/4 inch diameter trunnion rings optional
- Weight limit, tube plus collimator: Recommended ≤70 lbs [31.8kg]
 Max 80 lbs [36.4 kg]

ELECTRICAL.....

- 120 VAC, 3 Amps continuous.

MOUNTING.....

- Uni-Strut type ceiling mount with 1000 lb [455 kg] minimum load rating required. (Not included)

CONTROLS.....

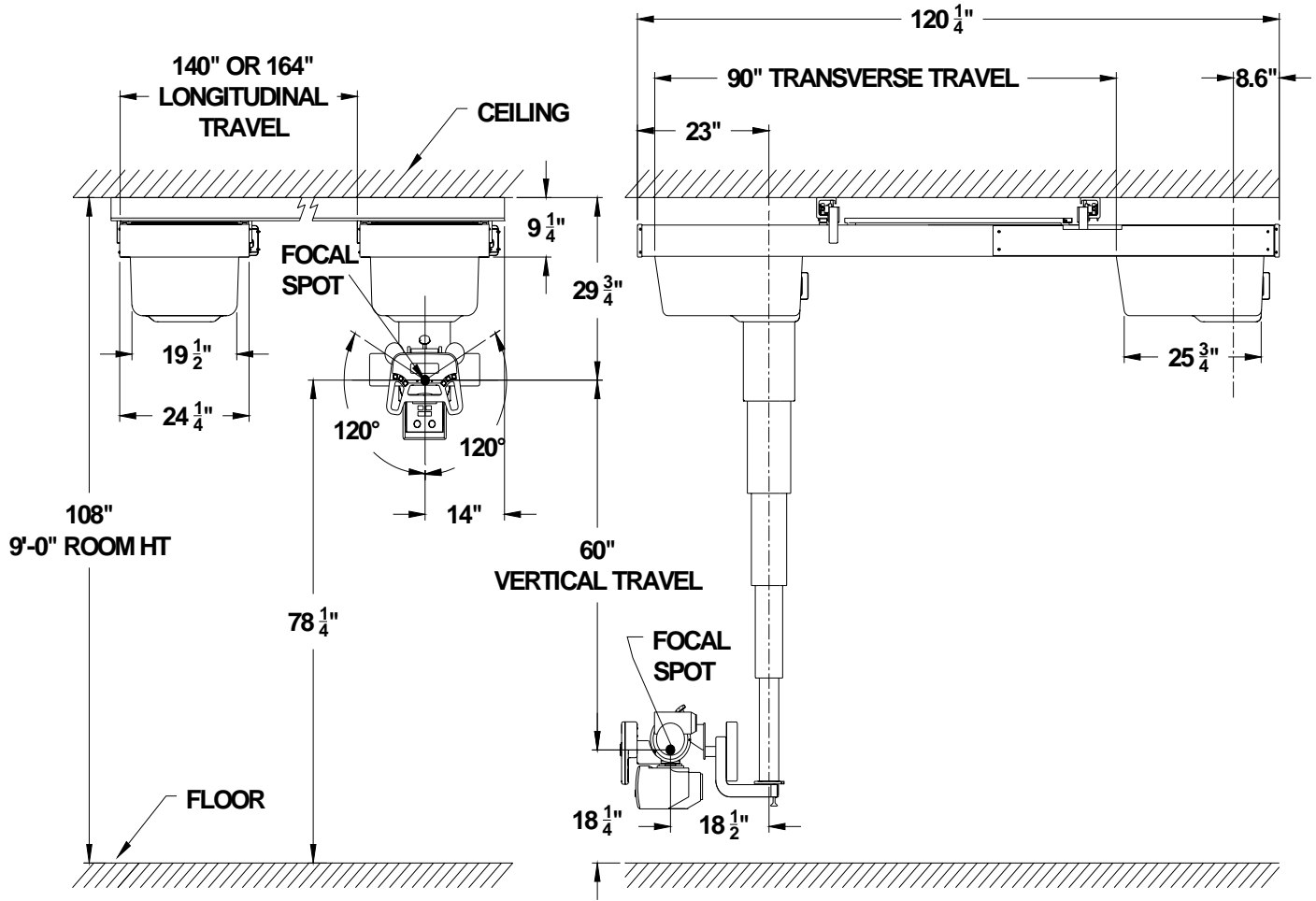
- LCD Display for Table Receptor SID, Table Top SID and Tube Roll Angle.
 Control buttons for Transverse Locks, Vertical Locks, Longitudinal Locks, and All Locks.

SHIPPING INFORMATION

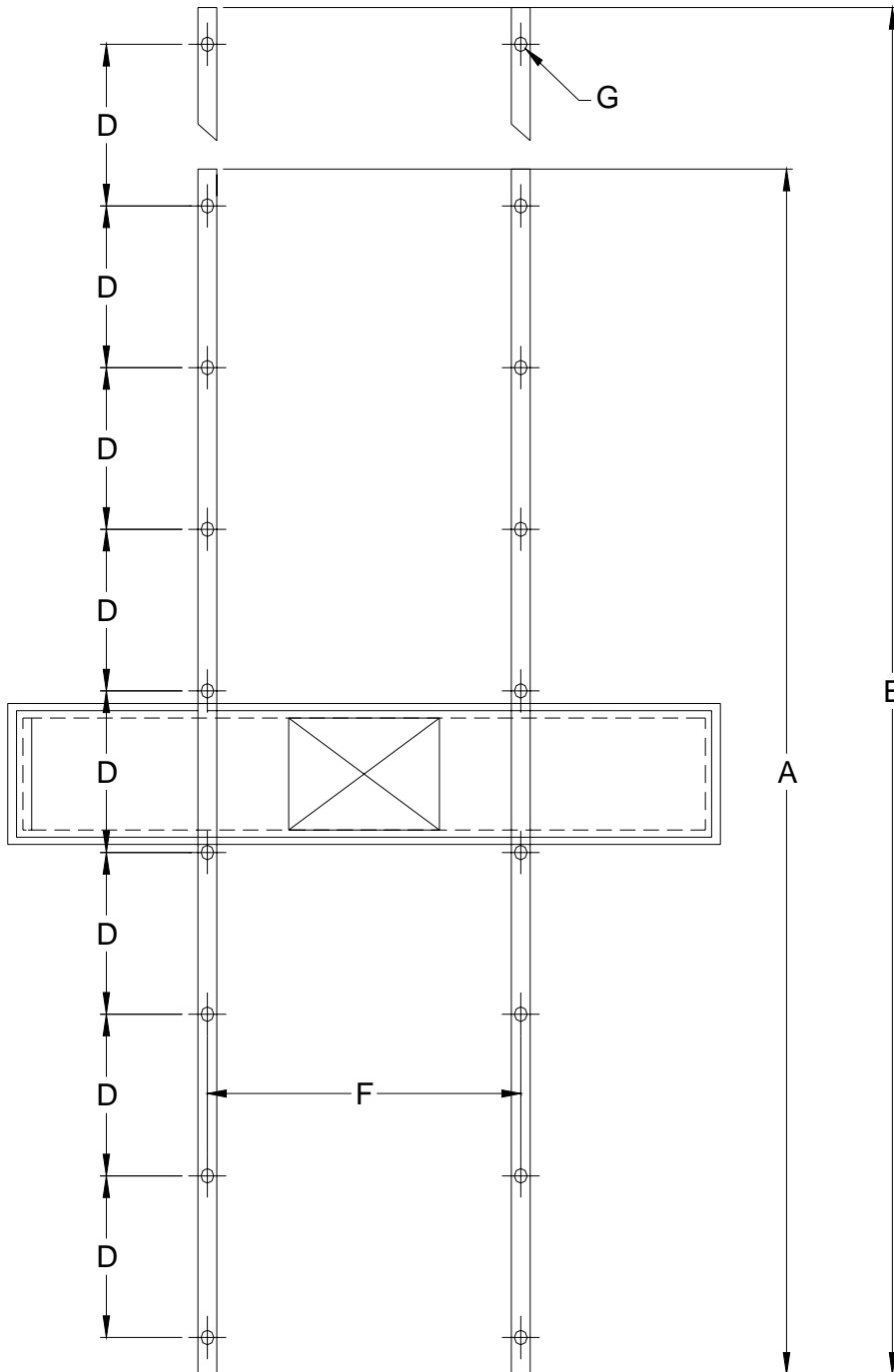
CONTENTS	DIMENSIONS [] = millimeters	WEIGHT [] = kg
Mast Assembly	32" x 26" x 40" [812 x 660 x 1016]	220 lbs [99.8]
Transverse Bridge	125" x 32" x 11" [3175 x 812 x 279]	165 lbs [74.8]
14' Longitudinal Rails (Standard)	168" x 9" x 5" [4267 x 228 x 127]	145 lbs [65.7]
16' Longitudinal Rails (Optional)	192" x 9" x 5" [4876 x 228 x 127]	165 lbs [74.8]
Accessory Kit	35" x 26" x 40" [889 x 660 x 1016]	50 lbs [22.6]

(Specifications subject to revision)

OVERHEAD TUBE SUPPORT



OVERHEAD TUBE SUPPORT



MECHANICAL SPECIFICATIONS:
WEIGHT INSTALLED: 600 LBS
DIMENSIONS IN INCHES:
A = 166.81 (STANDARD)
B = 190.81 (OPTIONAL)
D = 22 3/8
F = 49 7/8
G = $\varnothing 0.44$ HOLES
(FOR 3/8" [M10] HARDWARE)