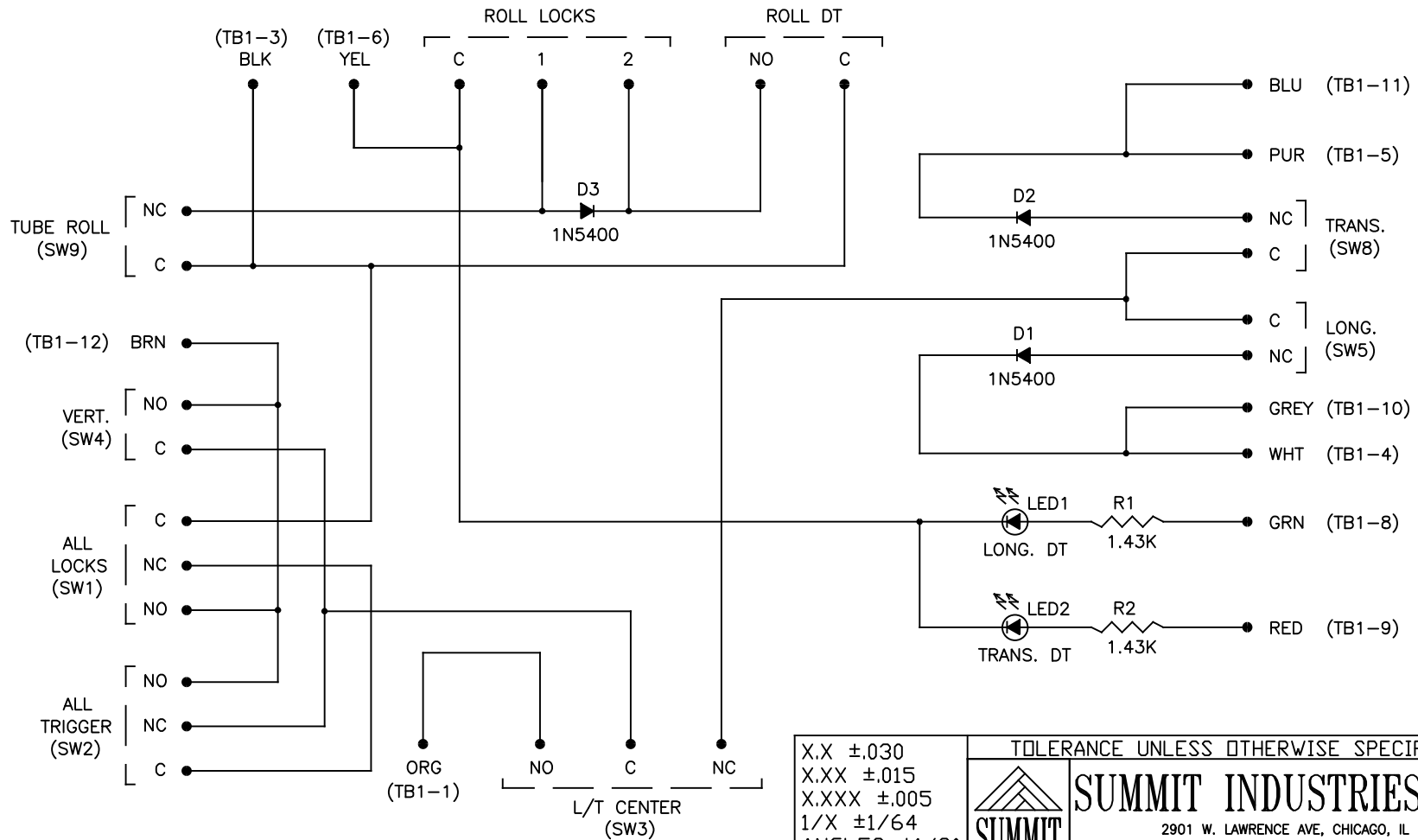


PART NO. **05982** REV **A**



X.X ±.030	TOLERANCE UNLESS OTHERWISE SPECIFIED	
X.XX ±.015	 SUMMIT INDUSTRIES, INC. 2901 W. LAWRENCE AVE, CHICAGO, IL TEL 733-588-2444 FAX 733-588-6820	
X.XXX ±.005		
1/X ±1/64		
ANGLES ±1/2°		

TITLE		SCHEMATIC, JUNCTION PCBA, OTS	
NEXT ASSY	05980	MATERIAL	SEE ABOVE
SCALE	NONE	FINISH	NONE

A	7080	RELEASED	PT	3/25/11	DM	DWG BY	DATE	APPROVED	DATE	SIZE	SHEET	PART	REV
LTR	ECR	REVISION	BY	DATE	CHKD BY	PT	3/18/11	DM	3/22/11	A	1 OF 1	05982	A