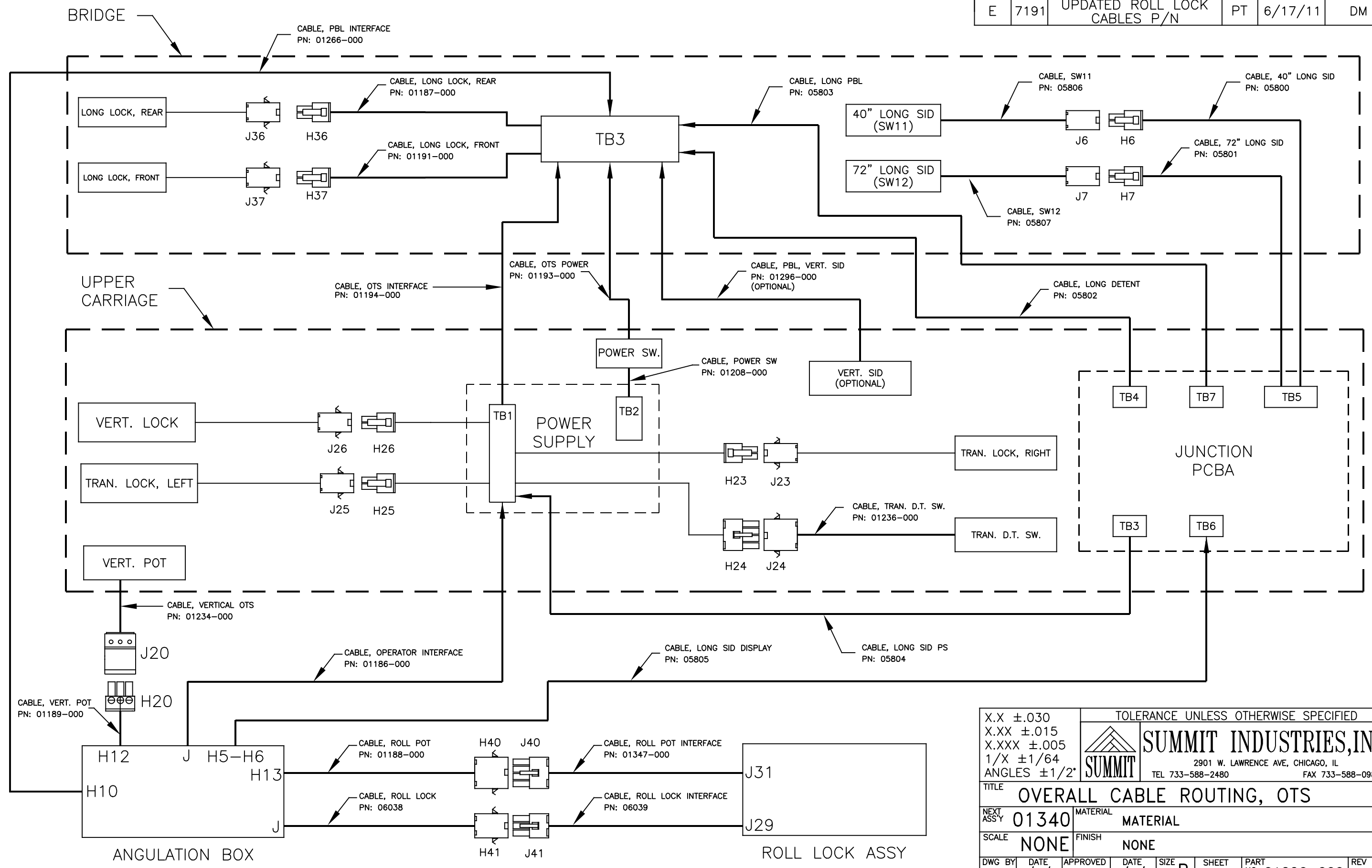



PART NO. 01226-000	REV E	LTR D	ECR 6919	REVISION ADDED JUNCTION PCBA	BY PT	DATE 9/17/10	CHKD BY SC
		E	7191	UPDATED ROLL LOCK CABLES P/N	PT	6/17/11	DM



X.X ±.030		TOLERANCE UNLESS OTHERWISE SPECIFIED	
X.XX ±.015		 SUMMIT INDUSTRIES, INC. 2901 W. LAWRENCE AVE, CHICAGO, IL TEL 733-588-2480 FAX 733-588-0983	
X.XXX ±.005			
1/X ±1/64			
ANGLES ±1/2°			
TITLE OVERALL CABLE ROUTING, OTS			
NEXT ASSY	01340	MATERIAL	MATERIAL
SCALE	NONE	FINISH	NONE
DWG BY	LG	DATE	02/27/03
APPROVED	DM	DATE	03/02/03
SIZE	B	SHEET	1 OF 1
PART NO.	01226-000	REV	E