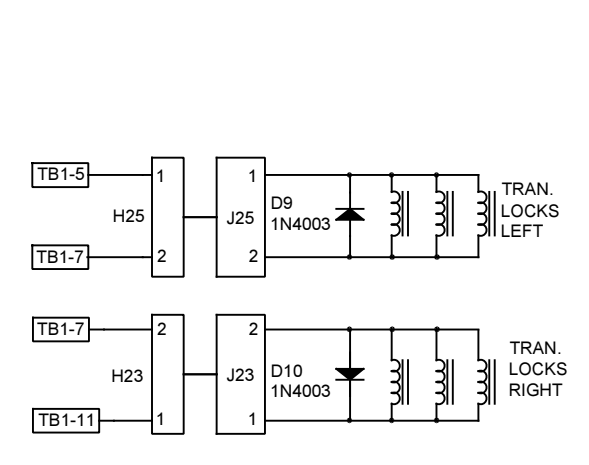
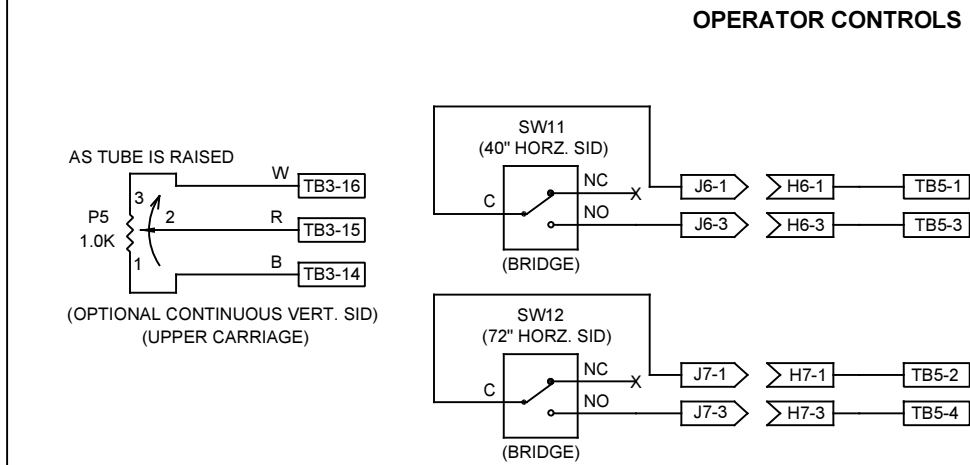
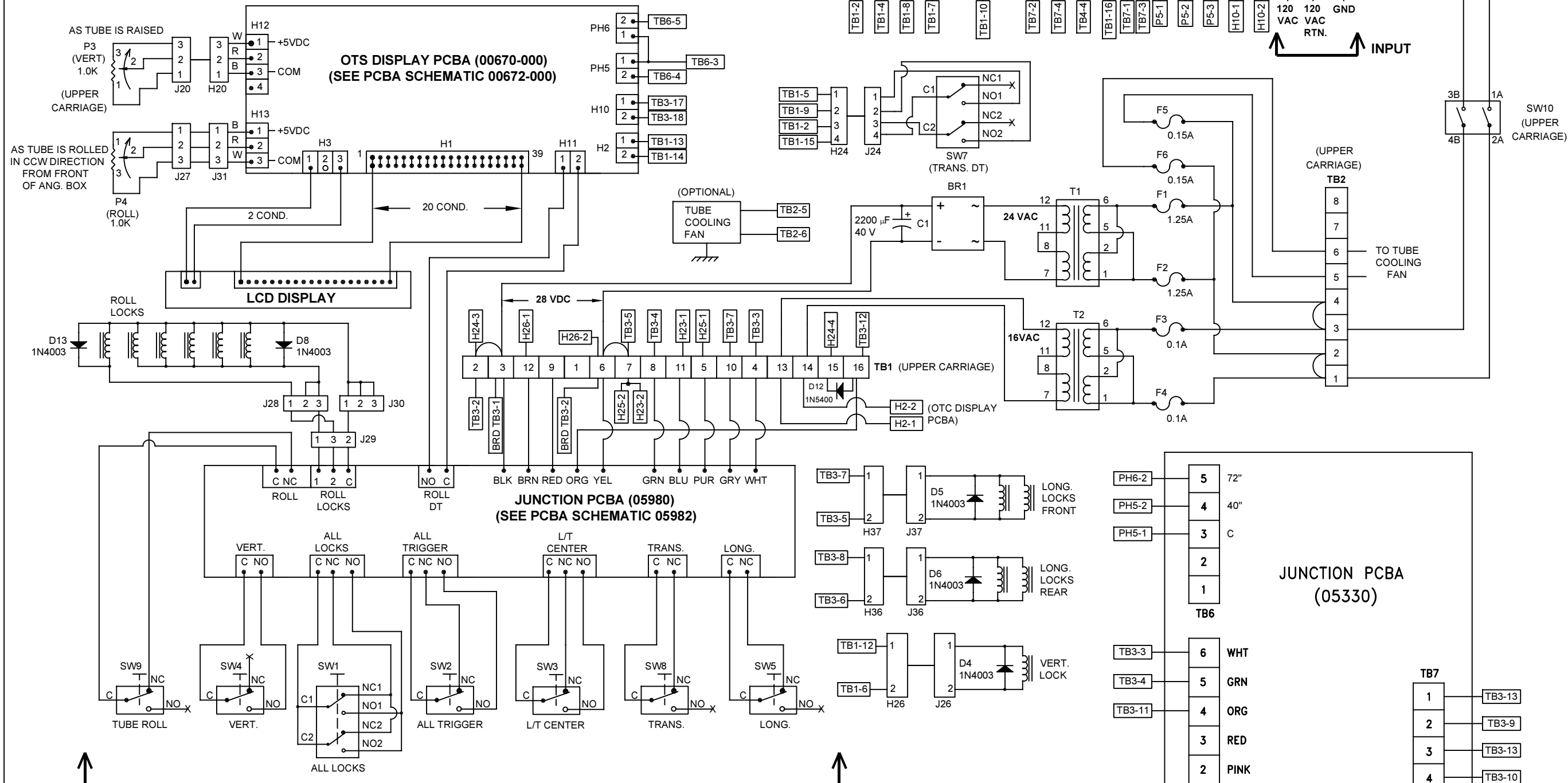


NOTES: TB3-9, 10, 13 USED FOR 40" & 72" DISCRETE HORIZ. SID SW  
 TB3-14, 15, 16 USED FOR CONTINUOUS VERTICAL SID (P5)  
 TB3-17, 18 USED FOR 40" DISCRETE VERT. SID SWITCH



TOLERANCE UNLESS OTHERWISE SPECIFIED			
X.X ±.030			
X.XX ±.015			
X.XXX ±.005			
1/X ±1/64			
ANGLES ±1/2°			
<b>SUMMIT INDUSTRIES, INC.</b>			
2901 W. LAWRENCE AVE., CHICAGO, ILL.			
TEL. 733-588-2480 FAX 733-588-0983			
<b>DIAGRAM, OVERALL ELECT. SYSTEM, OTS</b>			
TITLE		MATERIAL	
NEXT ASSY 01284		NONE	
SCALE NONE		FINISH NONE	
DWG BY RF DATE 9/18/02 APPROVED DM DATE 9/22/02 SIZE C SHEET 1 OF 1 PART NO. 01059 REV H			