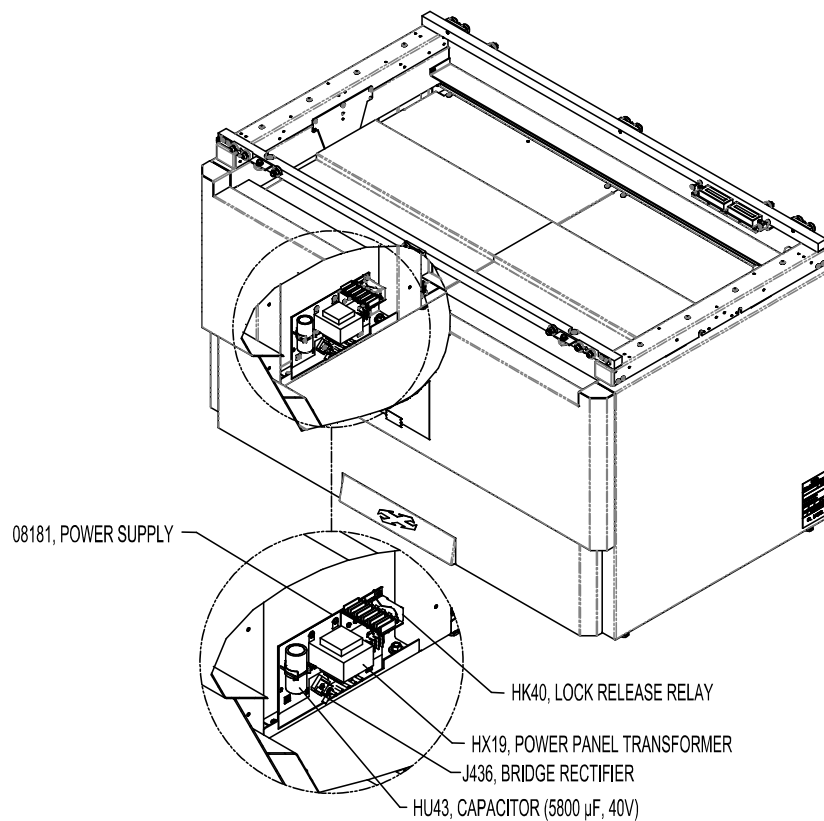
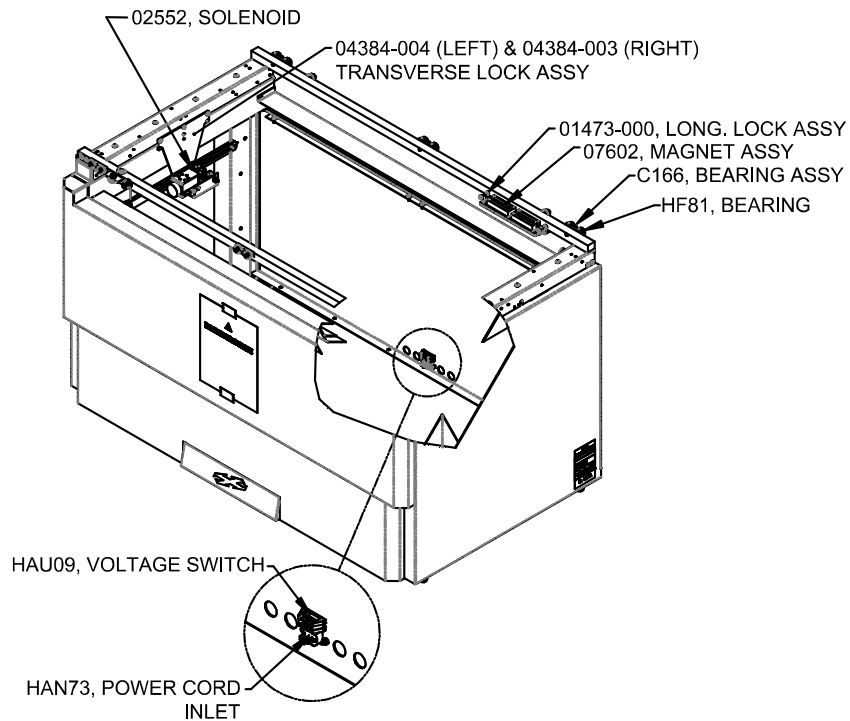


# REPLACEMENT PART GUIDE – S210/S223

See Table 1 and Figures 1 through 4 for Summit part numbers and descriptions of service parts.

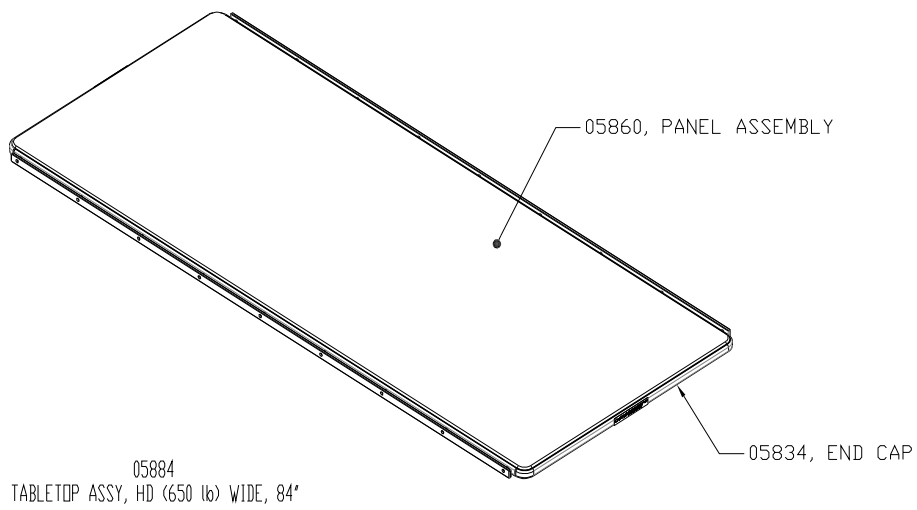
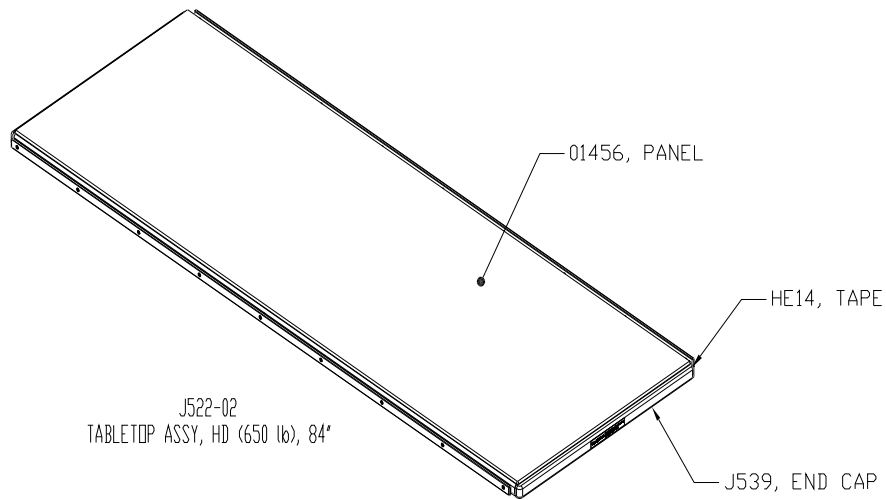
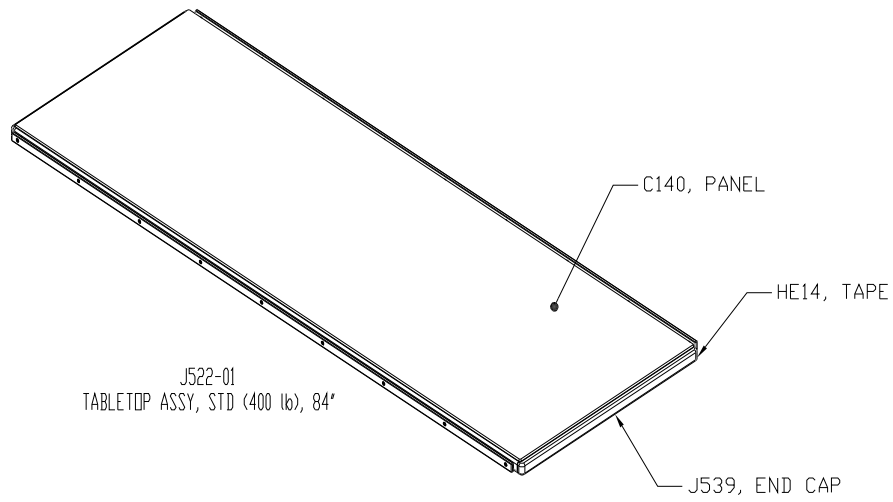
S210: Valid for **BWA322-0619** and later

S223: Valid for **CCA098-0419** and later





**FOR S223:**



**FOR S210:**

