

S222HD DELUXE ELEVATING TABLE

TABLE MOTION

Maximum height 34 inches above finished floor
Minimum height 23.25 inches above finished floor
Table top travel 30 inches longitudinal, 10 inches transverse
Lock holding force 60 lbs min transverse, 50 lbs min longitudinal
Bucky travel 18 inches, 8 lbs minimum lock holding force
Film plane to table top dist. . . 3.50 inches, 4.31 inches for AEC versions
Adjustable automatic stop for 40" SID working height.

SPACE REQUIREMENTS

Table top 30 inches wide, 84 inches long
Table base 30 inches by 52 inches
Table base rear to bucky centerline . . 13.2 inches
84" clearance to wall is required for mounting top as top slides on from end of base.

ELECTRICAL

115 VAC @ 6.0A / 230 VAC @ 3.0A, 50/60 Hz. A 20 ft. supply cable with plug is provided.

MOUNTING SPECIFICATIONS

Tabletop slides on from end of base only. Three mounting brackets are provided, each requiring a 3/8" floor anchor (*anchors not provided*) with minimum pullout strength of 500 lbs. For reference, a 3/8" steel expansion anchor with 2" of embedment in 3000 psi concrete provides approx. 600 lbs of pullout force.

SHIPPING INFORMATION

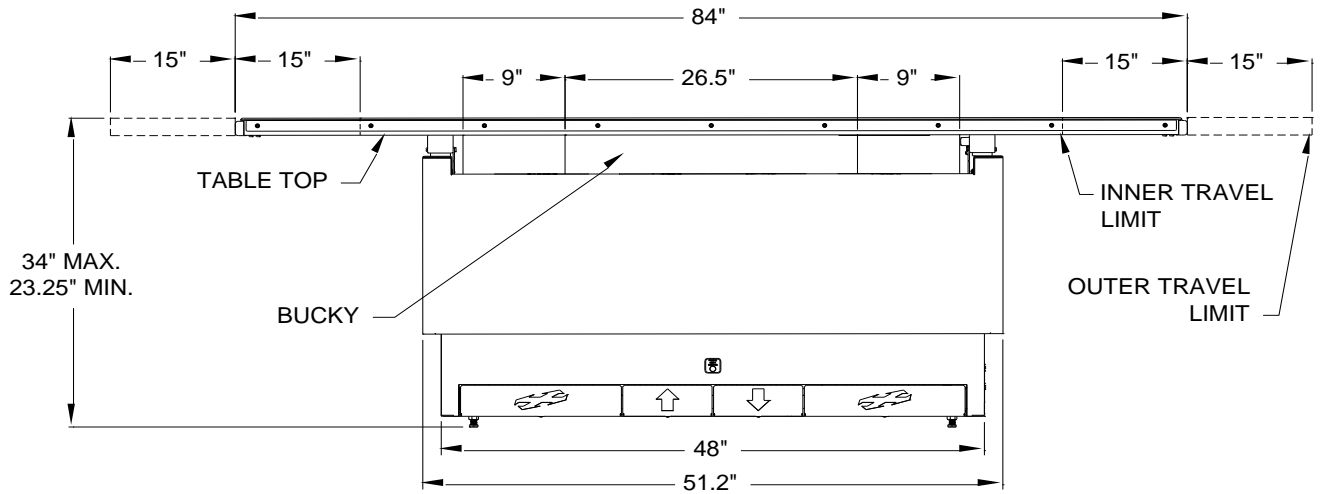
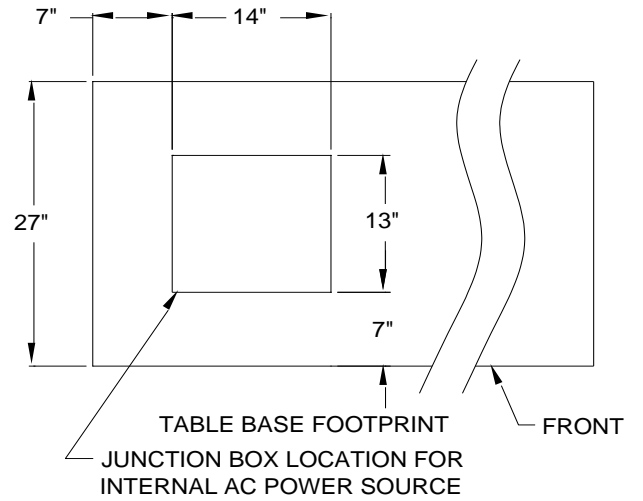
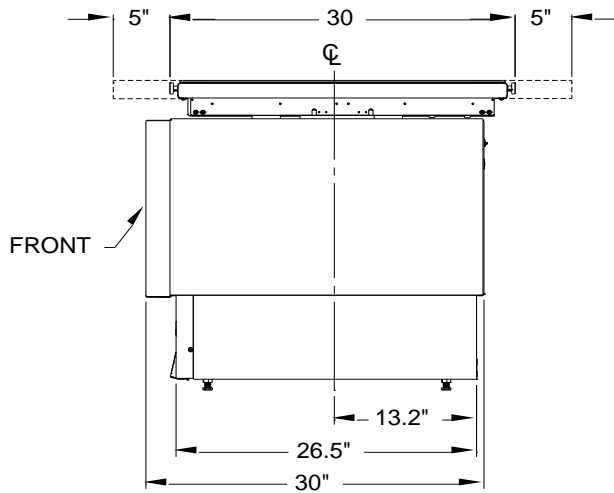
The table comes assembled as one carton plus one palletized carton.

Contents	Dimensions	Weight
Table top	90 x 3 x 31 inches	110 lbs. Gross, 105 lbs. net
Table base	54 x 32 x 32 inches, including pallet	550 lbs. Gross, 485 lbs. net

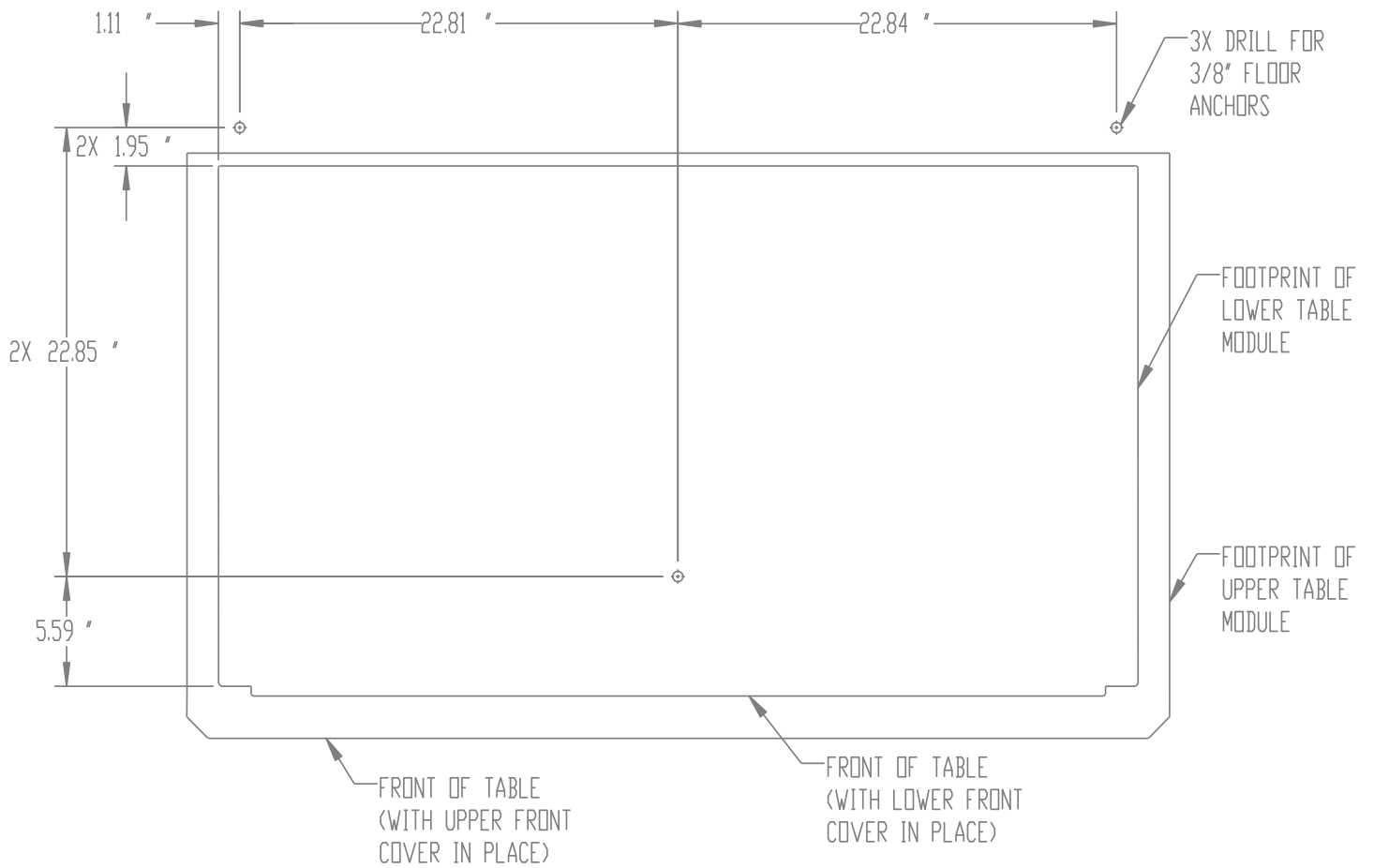
MISCELLANEOUS

Hand grips and patient restraints available. Accessory rails provided.
Stainless steel table top frame.
Rated for 650-pound patient load.
Crash safety switch feature.
Table top only available in 84 inch length.
Specifications subject to revision.

ROOM LAYOUT



MOUNTING HOLE PATTERN



FOR BEST RESULTS, POSITION TABLE AND MOUNTING BRACKETS FIRST AND THEN USE MOUNTING HOLES IN BRACKETS TO DRILL FOR THE FLOOR ANCHORS.