

## S222HD DELUXE WIDE ELEVATING TABLE

### TABLE MOTION

Maximum height . . . . . 34 inches above finished floor  
Minimum height . . . . . 23.25 inches above finished floor  
Table top travel . . . . . 30 inches longitudinal, 10 inches transverse  
Lock holding force . . . . . 60 lbs min transverse, 50 lbs min longitudinal  
Bucky travel . . . . . 18 inches, 8 lbs minimum lock holding force  
Film plane to table top dist . . 3.81 inches, 4.31 inches for AEC versions  
Adjustable automatic stop for 40" SID working height.

### SPACE REQUIREMENTS

Table top . . . . . 36 inches wide, 84 inches long  
Table base . . . . . 30 inches by 52 inches  
Table base rear to bucky centerline . . 13.2 inches  
84" clearance to wall is required for mounting top as top slides on from end of base.

### ELECTRICAL

115 VAC @ 6.0A / 230 VAC @ 3.0A, 50/60 Hz. A 20 ft. supply cable with plug is provided.

### MOUNTING SPECIFICATIONS

Tabletop slides on from end of base only. Three mounting brackets are provided, each requiring a 3/8" floor anchor (*anchors not provided*) with minimum pullout strength of 500 lbs. For reference, a 3/8" steel expansion anchor with 2" of embedment in 3000 psi concrete provides approx. 600 lbs of pullout force.

### SHIPPING INFORMATION

The table comes assembled as one carton plus one palletized carton.

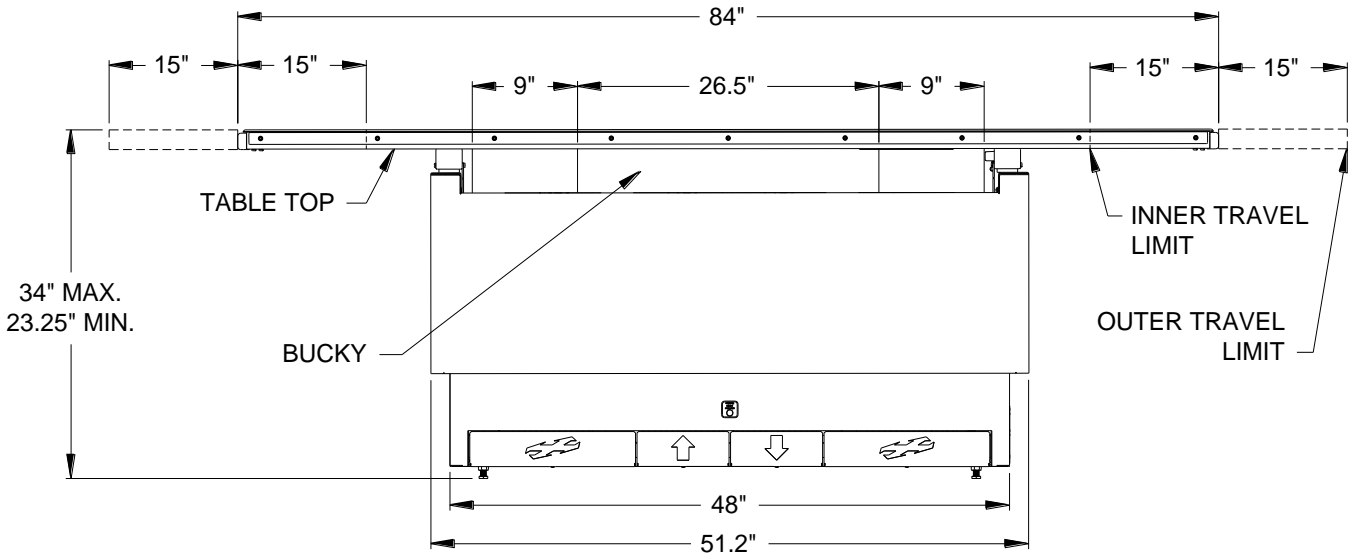
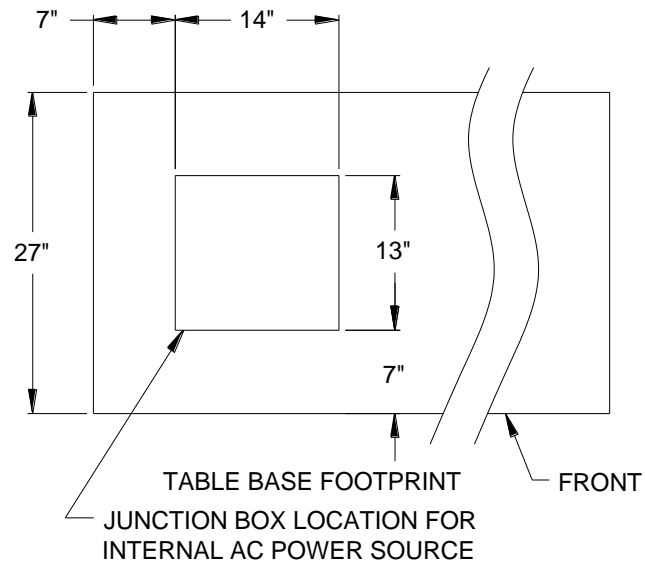
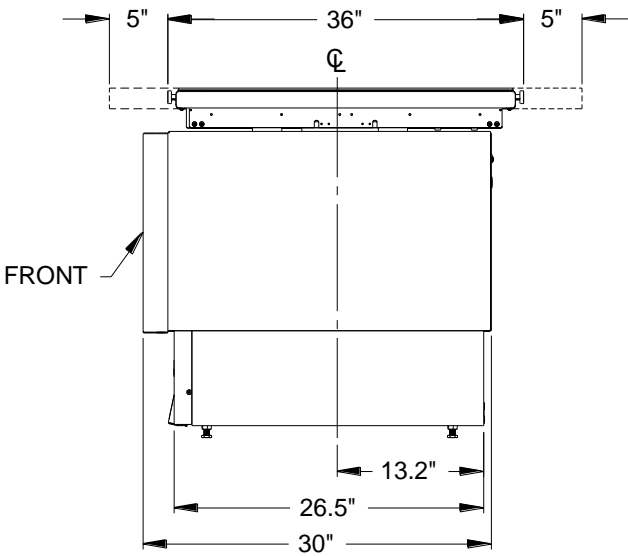
Contents	Dimensions	Weight
Table top	90 x 3 x 37 inches	145 lbs. Gross, 135 lbs. net
Table base	54 x 32 x 32 inches, including pallet	550 lbs. Gross, 485 lbs. net

### MISCELLANEOUS

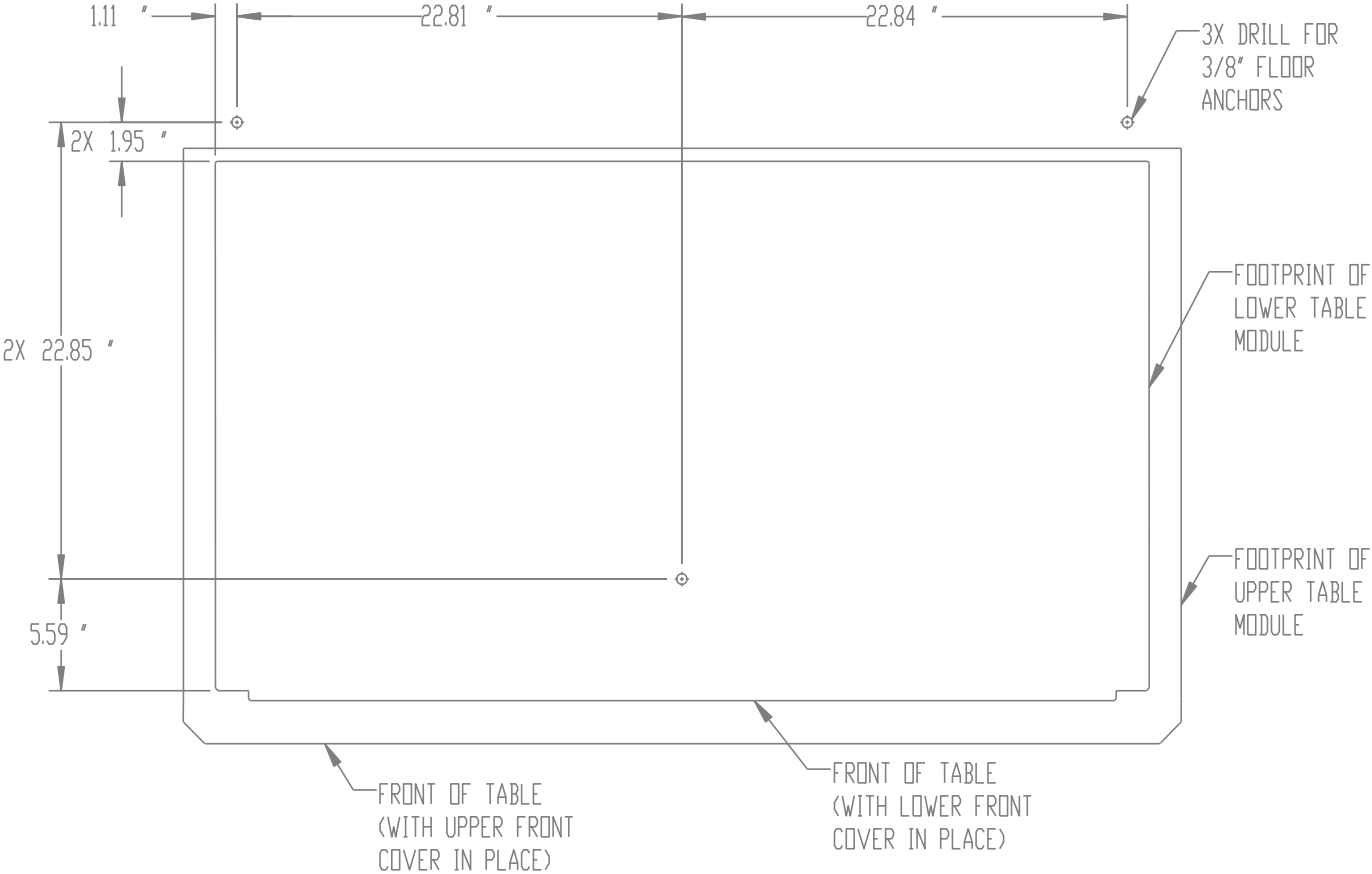
Hand grips and patient restraints available. Accessory rails provided.  
Stainless steel table top frame.  
Rated for 650-pound patient load.  
Crash safety switch feature  
Table top only available in 84 inch length

Specifications subject to revision.

# ROOM LAYOUT



# MOUNTING HOLE PATTERN



FOR BEST RESULTS, POSITION TABLE AND MOUNTING BRACKETS FIRST AND THEN USE MOUNTING HOLES IN BRACKETS TO DRILL FOR THE FLOOR ANCHORS.