

# S222 DELUXE ELEVATING TABLE

## TABLE MOTION

Maximum height . . . . . 34 inches above finished floor  
 Minimum height . . . . . 23.0 inches above finished floor  
 Table top travel . . . . . 30 inches (84" Table Top) or 22 inches (76" Table Top) longitudinal,  
 10 inches transverse  
 Lock holding force . . . . . 60 lbs min transverse, 50 lbs min longitudinal  
 Bucky travel . . . . . 18 inches, 8 lbs minimum lock holding force  
 Film plane to table top dist. . . 3.50 inches, 4.00 inches for AEC versions (400 lb patient load rating)  
 Adjustable automatic stop for 40" SID working height.

## SPACE REQUIREMENTS

Table top . . . . . 30 inches wide, 84 inches long (76 inch top optional)  
 Table base . . . . . 30 inches by 52 inches  
 Table base rear to bucky centerline . . .13.2 inches  
 84" of clearance to the wall for the 84" long table top or 76" of clearance to the wall for the 76" long table top is required for mounting the standard top as the top slides on from the end of the base.

## ELECTRICAL

115 VAC @6.0A / 230 VAC @3.0A, 50/60 Hz. A 20 ft. supply cable with plug is provided.

## MOUNTING SPECIFICATIONS

Tabletop slides on from end of base only. Three mounting brackets are provided, each requiring a 3/8" floor anchor (*anchors not provided*) with minimum pullout strength of 500 lbs. For reference, a 3/8" steel expansion anchor with 2" of embedment in 3000 psi concrete provides approx. 600 lbs of pullout force.

## SHIPPING INFORMATION

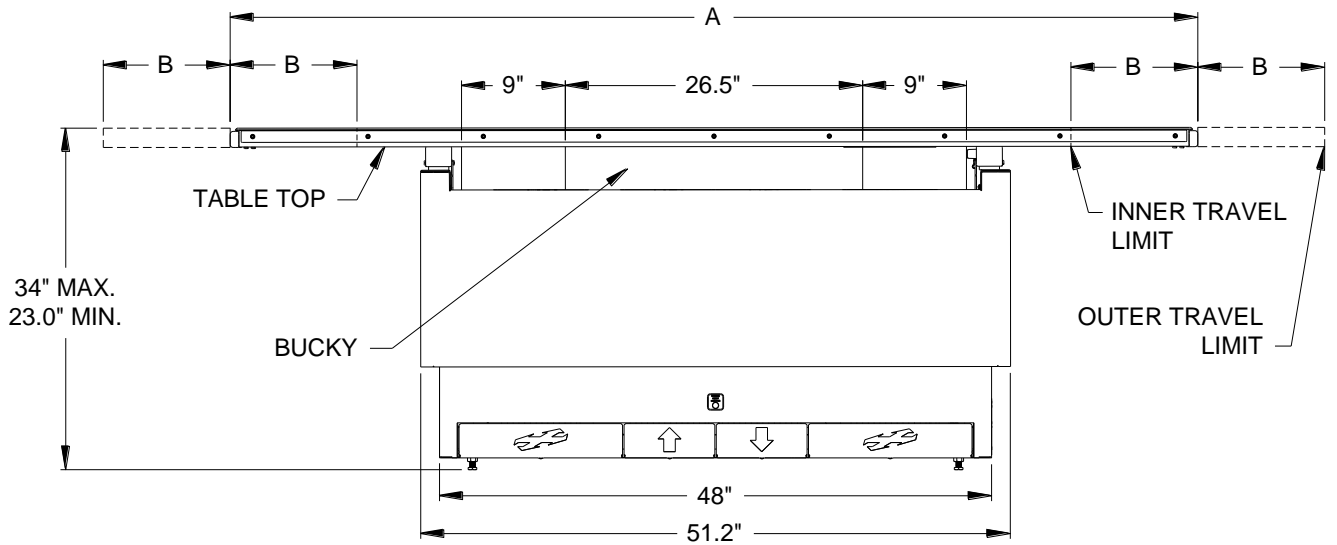
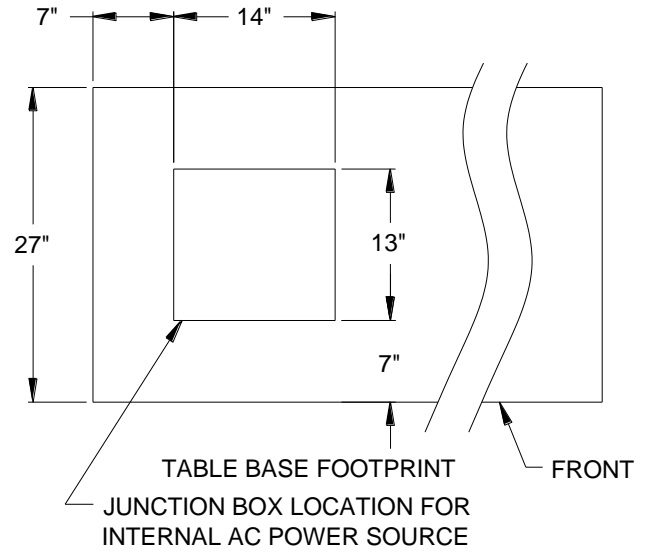
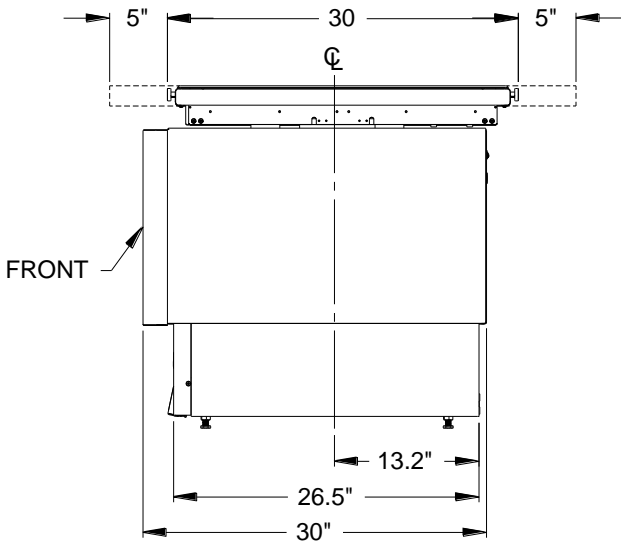
The table comes assembled as one carton plus one palletized carton.

Contents	Dimensions	Weight
Table top	90 x 3 x 31 inches	110 lbs. Gross, 105 lbs. net
Table base	54 x 32 x 32 inches, including pallet	550 lbs. Gross, 485 lbs. net

## MISCELLANEOUS

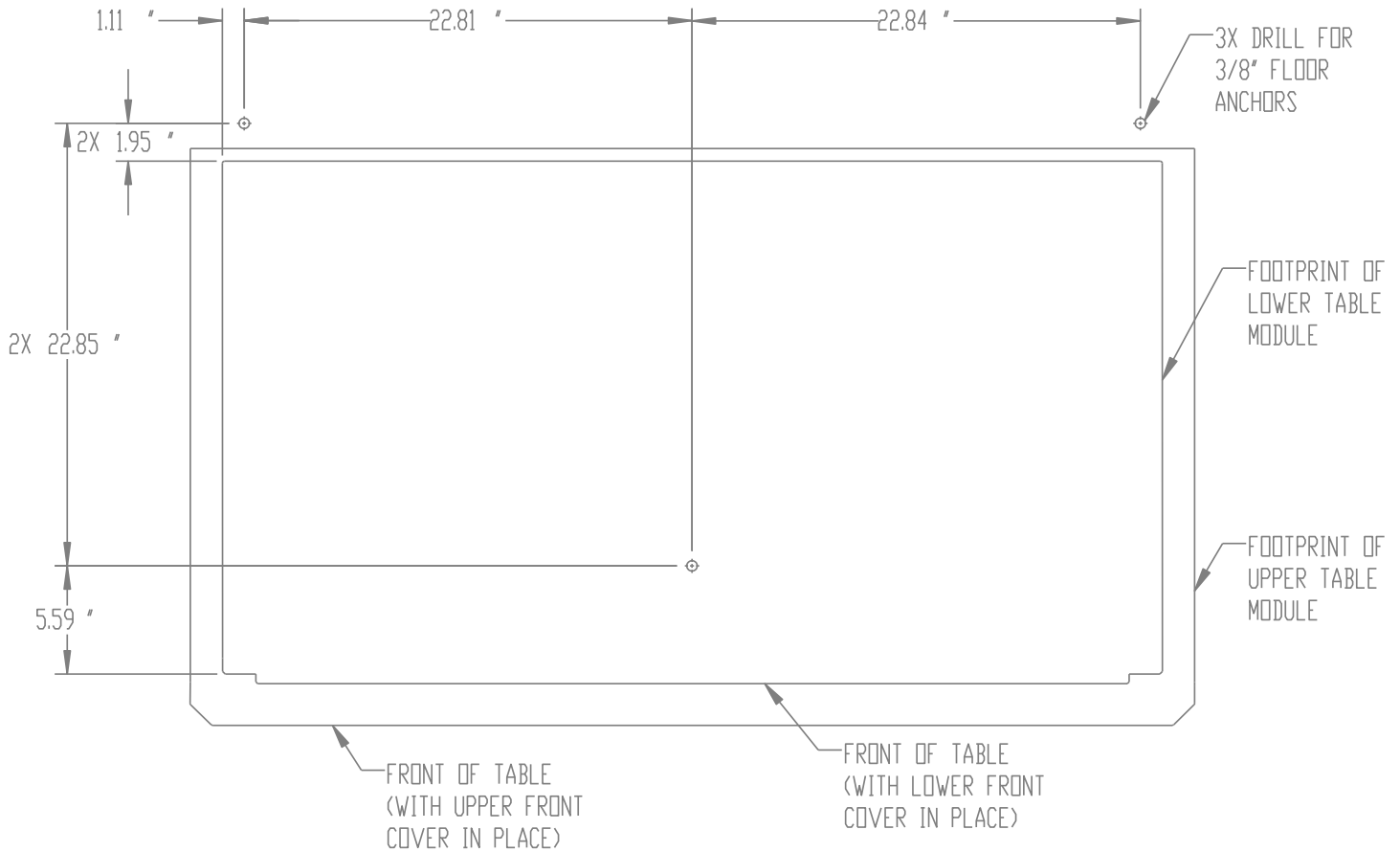
Hand grips and patient restraints available. Accessory rails provided.  
 Stainless steel table top frame.  
 Rated for 400-pound patient load.  
 Specifications subject to revision.

# ROOM LAYOUT



<b>STANDARD TABLE TOP</b>
A = 84"
B = 15"
<b>OPTIONAL SMALL TABLE TOP</b>
A = 76"
B = 11"

# MOUNTING HOLE PATTERN



FOR BEST RESULTS, POSITION TABLE AND MOUNTING BRACKETS FIRST AND THEN USE MOUNTING HOLES IN BRACKETS TO DRILL FOR THE FLOOR ANCHORS.