

# **STATIONARY RADIOGRAPHIC TABLE**

USER & ASSEMBLER MANUAL

MODEL NO. S212 (CERTIFIED)

D609  
REV. F

Summit Industries, LLC  
7555 N. Caldwell Ave.  
Niles, IL 60714  
773-588-2444  
[www.SummitIndustries.com](http://www.SummitIndustries.com)

**TABLE OF CONTENTS**

I. INTRODUCTION .....3

II. ASSEMBLER INFORMATION

    A. GENERAL INSTALLATION.....5

    B. ASSEMBLY INSTRUCTIONS .....6

    C. PARTS LIST.....8

    D. CERTIFICATION OF COMPATIBILITY .....9

II. USER INFORMATION

    A. GENERAL INFORMATION.....10

    B. MAINTENANCE SCHEDULE AND INSPECTION .....11

    C. SERVICING .....12

## I. INTRODUCTION



### **WARNING**

X-ray equipment may be dangerous to both patient and operator unless proper safety measures are observed.

The equipment, which is described in this manual, will perform reliably when operated, installed and maintained in accordance with the instructions of this manual.

The equipment is sold with the understanding that the user assumes sole responsibility for radiation safety and that the manufacturer does not accept any responsibility for the following:

1. Equipment improperly installed.
2. Equipment improperly operated.
3. Equipment improperly maintained or repaired.
4. Equipment, which has been modified or altered in any way.
5. Injury or damage to patient or other personnel for any of the above causes.

### **Intended Use**













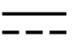

This is an x-ray table, a mechanical device intended to support a patient during a radiographic procedure.

### **Attenuation**

All included components between the patient and image receptor have been certified to comply with 21 CFR Chapter 1 Subchapter J (§1020.30).

### **Cleaning**

The manufacturer recommends disinfection of the equipment between uses for any surfaces that may come in contact with the patient during a radiographic procedure.

<b>Symbol Legends</b>	
<b>Symbol</b>	<b>Definition</b>
	Date of manufacture
	Manufacturer
	Serial Number
	Reference Number (Model/Part Number)
	Keep Dry
	<b>NOTE</b> This symbol represents Information that assists the user of the manual in the performance of a task. It may provide the user with better methods of conducting the task, or it may point out conditions that could cause the system to fail to operate properly.
 CAUTION	Points out special procedures, or precautions, that personnel must follow to avoid equipment damage.
 WARNING	Identifies situations or actions that may affect patient or user safety. Disregarding a warning could result in patient or user injury.
	<b>TYPE B APPLIED PART</b> This symbol indicates equipment providing a particular degree of protection against electric shock, particularly regarding allowable leakage currents and reliability of the protective earth connection (if present).
	This symbol indicates an Electro Sensitive Device is present which must be carefully handled to prevent damage to the device.
	<b>ELECTRIC SHOCK HAZARD WARNING</b> This symbol indicates an electric shock hazard.
	<b>DANGER VOLTAGE</b> This symbol indicates hazards arising from dangerous voltages.
	<b>DIRECT CURRENT</b> This symbol indicates a direct current source.
	<b>PROTECTIVE EARTH TERMINATIONS</b> This symbol indicates protective earth terminations in device.

## II. ASSEMBLER INFORMATION

### A. GENERAL INSTALLATION

To facilitate shipment of the stationary table it is necessary to partially disassemble the table prior to shipment. The table was packed in a carton by our shipping department, which must be inspected before beginning installation.

If the stationary table was purchased on an “FOB Shipping Point” or “Freight Collect” basis, it is the dealer’s responsibility to check the shipment for completeness against the Bill of Lading. In the event of shortage or damage immediately file and claim with the carrier.

If the stationary table was purchased on an “FOB Destination” or “Freight Prepaid” basis, and shortage or damage is found, notify the factory, immediately.

**WARNING**

**Always wear protective glasses when servicing the table.**

**B. ASSEMBLY INSTRUCTIONS**

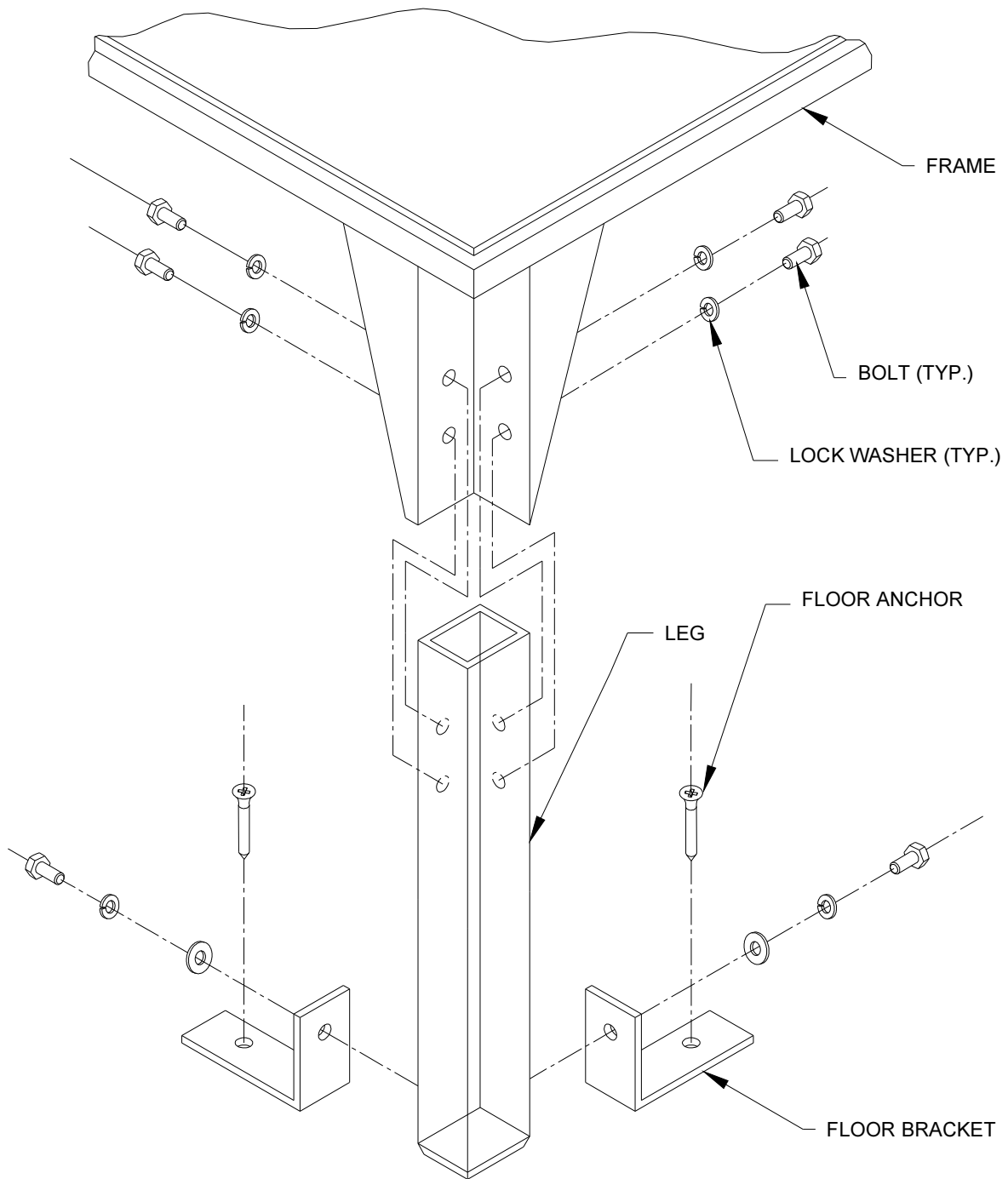
- 1) Unpack the unit and verify the contents (refer to parts list on page 7).

**Note: The standard table is 30” tall (floor to table top). The legs can be modified by the assembler (cut to length, drill and tap anchor holes) to decrease the table top height.**

- 2) Attach the four legs to the table; four bolts and lock washers are needed for each leg. Apply locktight to the bolts and verify that all the bolts are mounted tightly (See Figure 1).
- 3) Align the centerline of the table and the centerline of the x-ray beam.
- 4) Check to see that the table is level and shim the table if necessary.
- 5) Using the four anchor bolts, secure the table to the floor to maintain alignment to the x-ray beam. (Anchor bolts and fasteners are not furnished).
- 6) Check the motion of the grid cabinet and verify the stability of the table.

**Note: In certain applications the grid cabinet may be removed to facilitate shipping. If this is the case refer to the service section (page 11) for instructions on how to reinstall the grid cabinet.**

- 7) If supplied as an option, check that the drop leaf portion of the table is operating properly.
- 8) Once the table is found to be fully operational, verify alignment between the centerline of the table top and the center of the cassette tray:
  - a) Place a radiographic opaque material as a marker onto the centerline of the table top and tape it in place.
  - b) Insert the cassette tray with cassette and film into the grid cabinet.
  - c) Center the x-ray beam over the marker and tray and take an exposure.
  - d) The marker should show up at the center of the developed film.



ASSEMBLY OF LEGS AND FLOOR ANCHORS

FIGURE 1

C. PARTS LIST for Model S212

<b>Part No</b>	<b>Description</b>	<b>S212 24x56</b>	<b>S212 24x76</b>	<b>Notes</b>
C267	Table top frame	1	-	See Note 1
B910	Table top frame	-	1	See Note 1
D419	Table top panel	-	-	See Note 1
D564	Table top panel	-	-	See Note 1
A863	Table top panel	1	-	See Note 1
A964	Table top panel	-	1	See Note 1
C274	Grid Cabinet	-	-	
B014	Grid Cabinet	1	1	
D278	Leg Assembly	4	4	
D277	Bracket, floor anchor	4	4	
D609	Manual	1	1	
C249	Drop leaf	1	1	See Notes 2 & 3

**Notes:**

1. Table top panel and frame are pre-assembled at the factory. Panel is not removable from frame.
2. 12" drop leaf is optional.
3. Drop leaf is completely assembled to frame for 24 x 56 versions. Drop leaf is partially disassembled on 24 x 76 versions for shipping purposes.

**D. CERTIFICATION OF COMPATIBILITY** (for model S212—Certified Tables only)

This radiographic table is certified to be compatible with all certified tube housing assemblies, x-ray controls, x-ray high voltage generators, cassette holders, and beam limiting devices, and will not affect the compliance of these components, when these components are installed, connected and adjusted in accordance with the applicable manufacturers' instructions and specifications.

**Note: It is the assembler's responsibility to verify compatibility of all components assembled as parts of the x-ray system. Refer to compatibility statement published by the component manufacturer for specific information.**

Proper use of this "Radiographic Table" requires that the x-ray system must include:

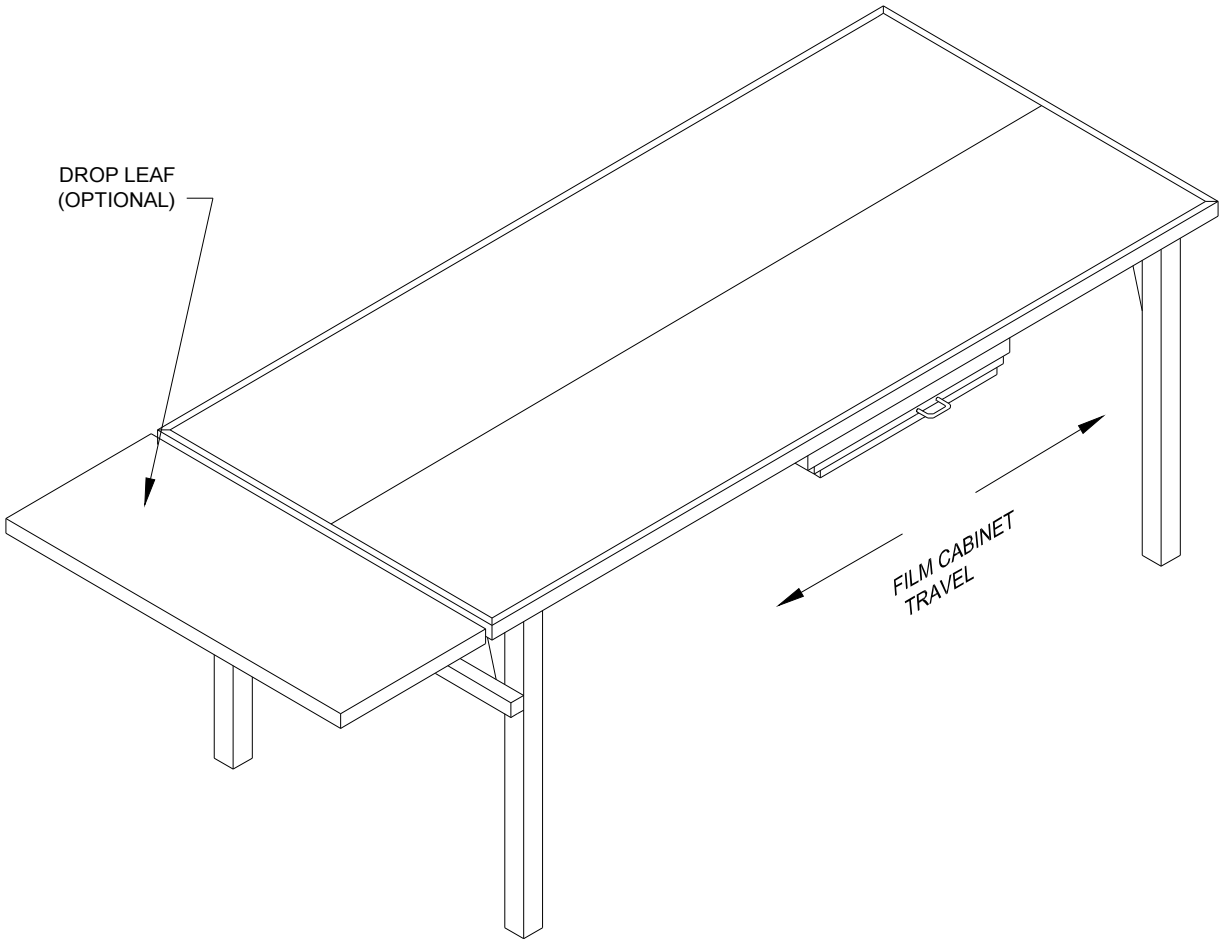
- 1) Means to limit the x-ray field in the plane of the image receptor so that such field does not exceed each dimension of the image receptor by more than 2 percent of the SID, when the axis of the x-ray beam is perpendicular to the plane of the image receptor.
- 2) In addition, means shall be provided to align the center of the x-ray field with the center of the image receptor to within 2 percent of the SID.
- 3) A means to verify perpendicularity between the image receptor and the x-ray beam.
- 4) On the tubestand a means should be provided to indicate vertical SID.

If the x-ray system does not satisfy the above provisions, the radiographic table should not be used with the system.

**III. USER INFORMATION**

**A. GENERAL INFORMATION**

**STATIONARY TABLE  
FIGURE 2**



**SPECIFICATIONS:**

**TABLE TOP TO FILM DISTANCE**

S212.....2.5 IN.

**TABLE WEIGHT (UNPACKED):**

24 x 56 MODELS.....100 LBS  
24 x 76 MODELS.....110 LBS

**TABLE CAPACITY:**

MAX. PATIENT LOAD.....300 LBS

**WARNING: OPTIONAL DROP LEAF WILL ONLY SUPPORT 20 LBS MAX.**

## B. MAINTENANCE SCHEDULE AND INSPECTION

Safe performance of the stationary table requires daily inspection by the user and scheduled service by specifically trained x-ray apparatus service personnel. It is the user's responsibility to select qualified service personnel, or to consult with the factory in the event recommendations are required.

### Daily Inspection (User)

- 1) Check to see that the film cabinet operates properly.
- 2) Inspect the table anchoring to ensure that the table is properly secured to the floor.

In the event service is required, contact a qualified service person.

### Scheduled Maintenance (Service Personnel)

In order to comply with applicable federal and state regulations, the following maintenance schedule must be adhered to:

- 1) First servicing—30 days after equipment installation.
- 2) Subsequent servicing—every 6 months.

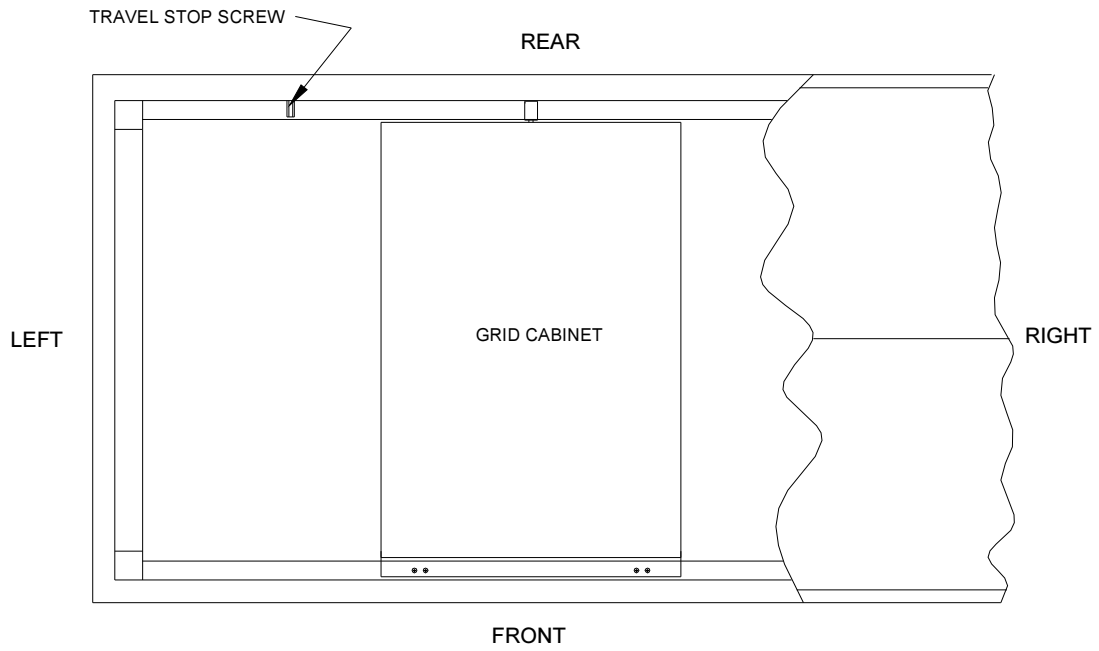
Scheduled maintenance should include but not limited to the following checks:

- 1) Proper equipment grounding.
- 2) Proper tightness of all mechanical fasteners.
- 3) Inspection of all electrical connections for proper connection and absence of corrosion.
- 4) Proper anchoring of table to floor.
- 5) Proper operation of the film cabinet.

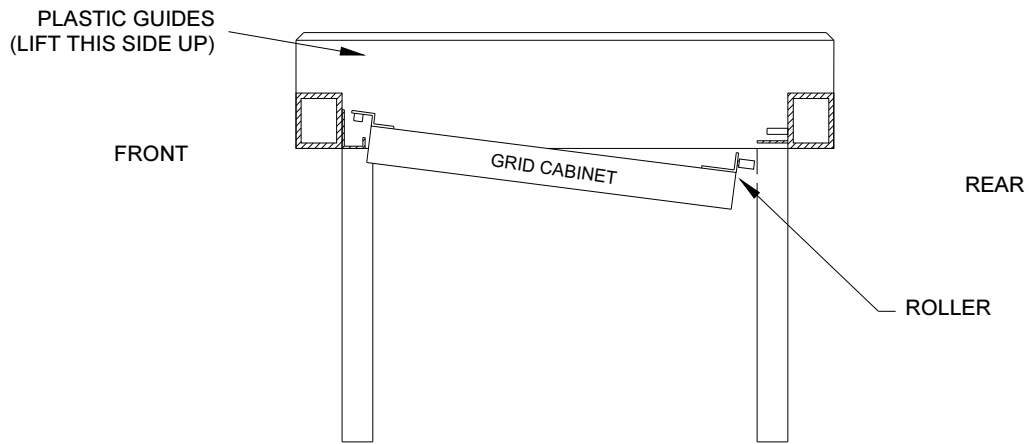
### C. SERVICING

The top of the stationary table is not removable. In order to remove the grid cabinet, use the following procedure:

- 1) Slide the film cabinet to the left side of the table until it hits the travel stop screw.
- 2) Remove the travel stop screw located at the left back side of the table (See Figure 3).
- 3) Move to the rear of the table and place both hands underneath the film cabinet.
- 4) Slide the film cabinet cautiously to your right until the roller drops down from the rail (See Figure 4).
- 5) Unhook the plastic guides by lifting the front of the film cabinet and remove the entire cabinet.
- 6) To reinstall the film cabinet repeat the above steps in reverse order.



GRID CABINET INSTALLATION & REMOVAL  
FIGURE 3



GRID CABINET INSTALLATION & REMOVAL  
FIGURE 4