











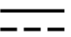



Symbol Legends	
Symbol	Definition
	Date of manufacture
	Manufacturer
	Serial Number
	Reference Number (Model/Part Number)
	Keep Dry
	NOTE This symbol represents Information that assists the user of the manual in the performance of a task. It may provide the user with better methods of conducting the task, or it may point out conditions that could cause the system to fail to operate properly.
 CAUTION	Points out special procedures, or precautions, that personnel must follow to avoid equipment damage.
 WARNING	Identifies situations or actions that may affect patient or user safety. Disregarding a warning could result in patient or user injury.
	TYPE B APPLIED PART This symbol indicates equipment providing a particular degree of protection against electric shock, particularly regarding allowable leakage currents and reliability of the protective earth connection (if present).
	This symbol indicates an Electro Sensitive Device is present which must be carefully handled to prevent damage to the device.
	ELECTRIC SHOCK HAZARD WARNING This symbol indicates an electric shock hazard.
	DANGER VOLTAGE This symbol indicates hazards arising from dangerous voltages.
	DIRECT CURRENT This symbol indicates a direct current source.
	PROTECTIVE EARTH TERMINATIONS This symbol indicates protective earth terminations in device.



WARNING

X-ray equipment may be dangerous to both patient and operator unless proper safety measures are observed.

Before operation, persons qualified and authorized to operate this equipment should be familiar with all appropriate safety procedures regarding radiation safety.

Only qualified personnel should install, maintain and operate this equipment.

Only qualified service personnel should remove electrical covers.

The equipment described in this manual will perform reliably when installed, maintained and operated in accordance with the instructions of this manual by qualified personnel. This equipment is sold with the understanding that the user assumes sole responsibility for radiation safety and that the manufacturer does not accept any responsibility for the following:

- ! Equipment improperly installed.
- ! Equipment improperly operated.
- ! Equipment improperly maintained or repaired.
- ! Equipment, which has been modified without written factory authorization.
- ! Injury or damage resulting from any of the above causes.

Intended Use

This is an x-ray table, a mechanical device intended to support a patient during a radiographic procedure.

Attenuation

All included components between the patient and image receptor have been certified to comply with 21 CFR Chapter 1 Subchapter J (§1020.30).

Cleaning

The manufacturer recommends disinfection of the equipment between uses for any surfaces that may come in contact with the patient during a radiographic procedure.

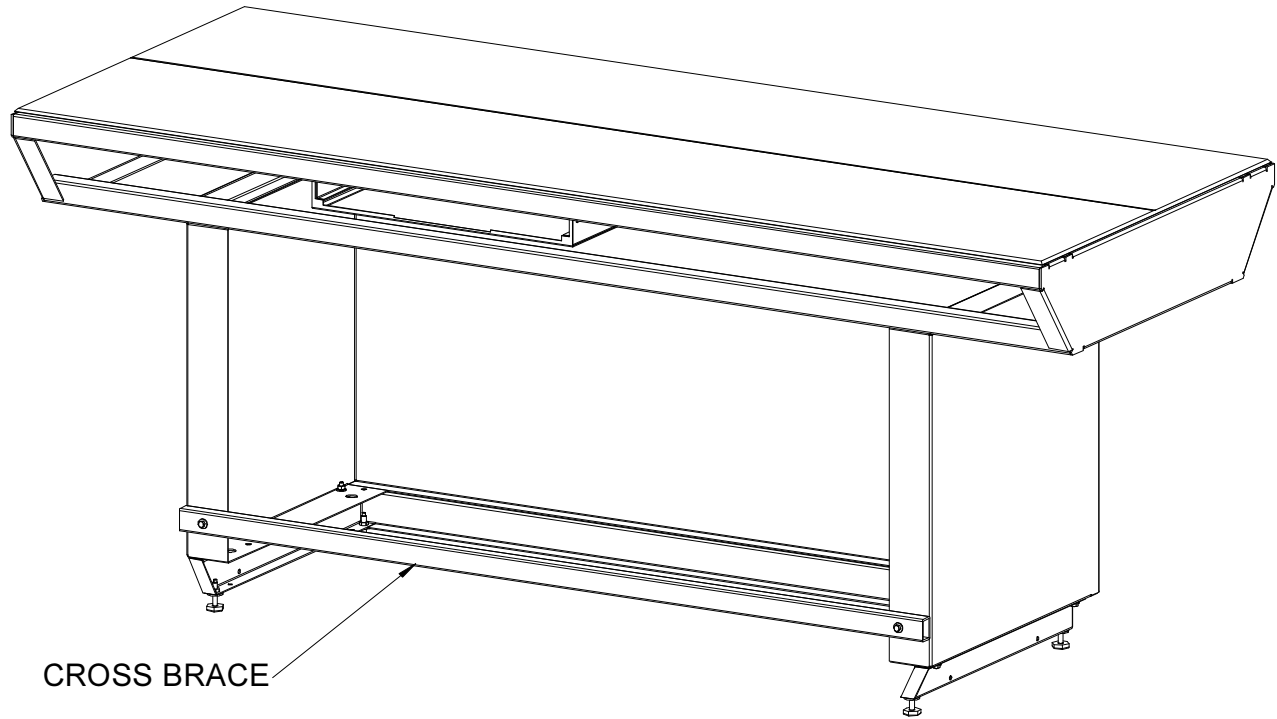
CERTIFICATION OF COMPATIBILITY

This radiographic table is certified to be compatible with all certified tube housing assemblies, x-ray controls, x-ray high voltage generators, cassette holders, and beam limiting devices, and will not affect the compliance of these components, when these components are installed, connected, and adjusted in accordance with the applicable manufacturers instructions and specifications.

NOTE: It is the assembler's responsibility to verify compatibility of all components assembled as parts of the x-ray system. Refer to compatibility statement published by the component manufacturer for specific information.

INSTALLATION

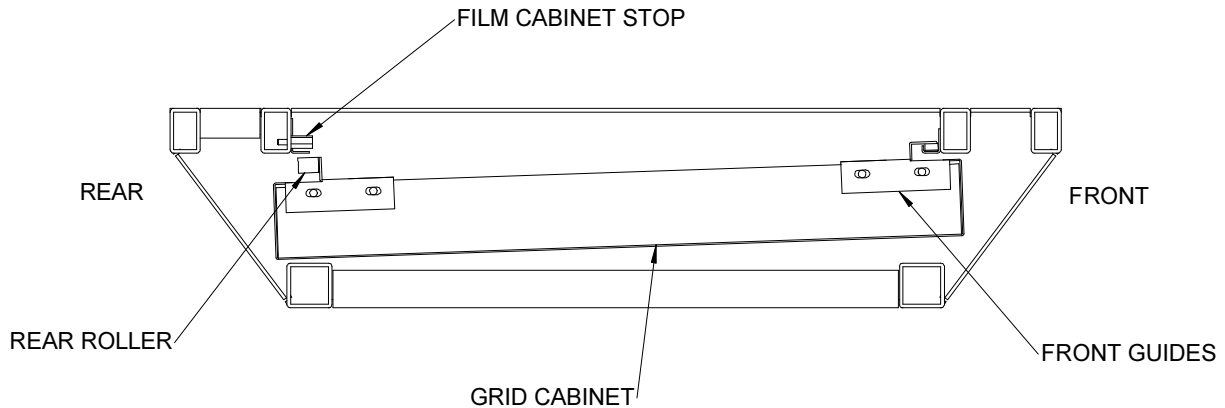
- 1) Unpack and place on floor.
- 2) Assemble levelers to bottom of table.
- 3) Position table in desired location. **NOTE:** If transformer is to be placed under the table, place the transformer at desired location first. Then remove the cross brace from the back side of the table. Move table over transformer and replace cross brace. See Figure 1.



AWL834-02

**FIGURE 1
CROSS BRACE**

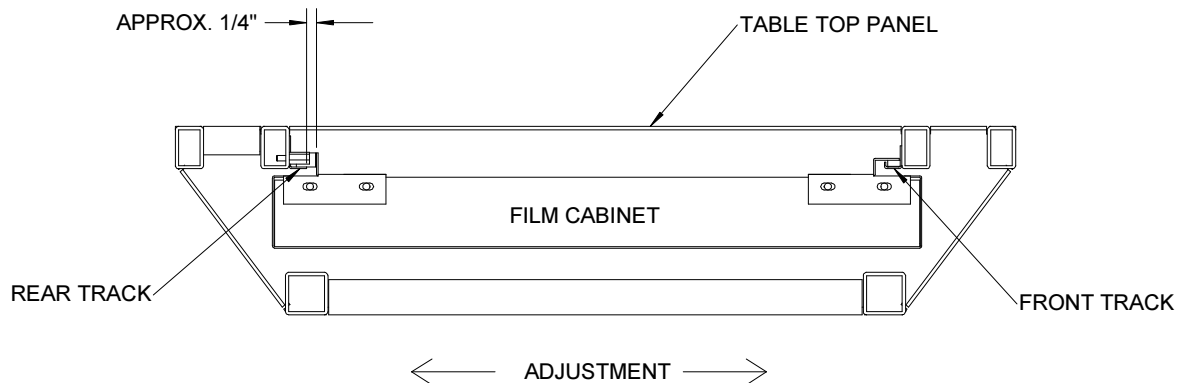
4) Install film cabinet by removing the stop on either end of the rear roller track. Position cabinet under table top from front, place front guides in front track. Lift up back end of cabinet and guide rear roller on the rear track. Replace stop. See Figure 2.



AWL834-03

**FIGURE 2
INSTALLING FILM CABINET**

5) Position cabinet under table so that when the tray is inserted in the cabinet, the film is in-line with the center of the table. This can be done by loosening mounting screws and sliding the cabinet to the proper position. Be careful not to allow the rear roller to fall off the rear track during this adjustment. See Figure 3.



AWL834-04

**FIGURE 3
INSTALLING FILM CABINET**

- 6) Level table and check alignment by using the collimator light beam.
- 7) Anchor to floor as shown. See Figure 4.

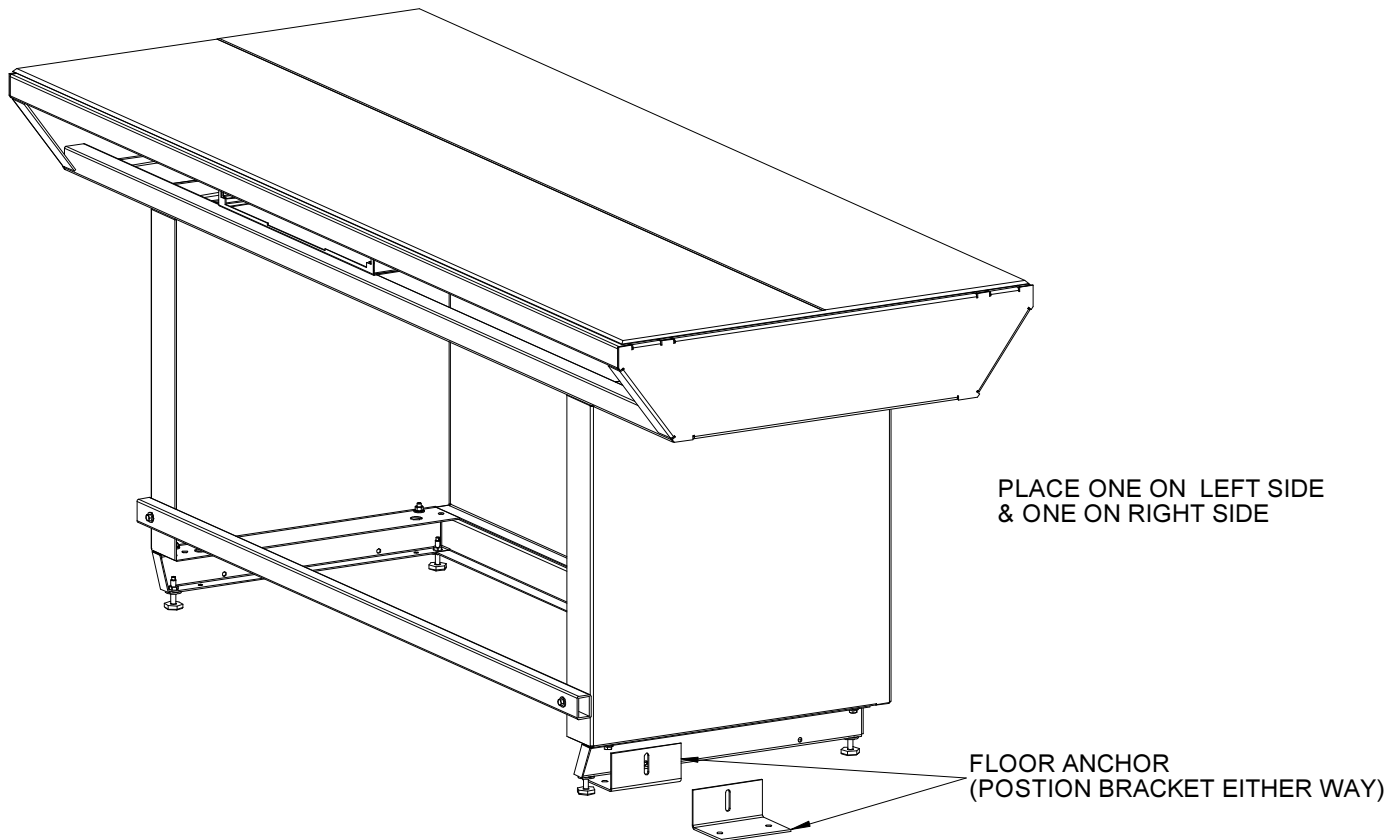


FIGURE 4
ANCHORING THE TABLE

AWL834-05

MAINTENANCE

To assure proper operation of this table the following items should be checked and corrected annually:

- 1) Check alignment (x-ray beam to film).
- 2) Level tabletop.
- 3) Verify free travel of film cabinet (grease if required).
- 4) Check all table fasteners for tightness, including floor anchor bolts.