

INNOVET SELECT VETERINARY SYSTEM

This fully-integrated table, tubestand and generator package requires as little as 11 square feet of floor space. Tube detents at 40 inches SID and angulates with mechanical lock. Grid cabinet and tubestand easily interlock for automatic alignment. Molded, rust-proof tray. Options include two sizes of floating table top, hands-free collimator light, latching prep, cassette bin and a third mA station of either 30 or 400 mA.

SPECIFICATIONS

Space requirements	Column height: 82.5" Fixed table top: 53" wide, 28" deep 2-way table top: 58" x 44" 4-way table top: 75" x 44"
Mounting	Bolts to floor as desired. HV transformer sits on shelf in table base.
Electrical access	All cables enter rear of table/control. Front cover of control removes for internal access.

ELECTRICAL REQUIREMENTS

140 Amp maximum momentary at 240 VAC. 170 Amp for 400 mA option.
Maximum line voltage drop under full load conditions not to exceed 5%.
Minimum fusing for 300 mA version is 70 Amp at 240 VAC, but 100 Amp is recommended. For 400 mA version or line voltages below 240 VAC 100 Amp is required.
Distribution transformer supplying power to be 37.5 kVA or greater.
Recommended copper wire sizes are #2 for 50' run, #00 for 100' run, 250 mcm for 200' run "RUN" is defined as length of wire between the building's main incoming electrical panel and the service disconnect switch in the X-ray room.

SHIPPING INFORMATION

CONTENTS	DIMENSIONS	WEIGHT
Tubestand	7.5" x 18" x 79"	130 lbs.
Table, collimator, accessories	4-way table top 71" x 35" x 58" 2-way table top: 71" x 35" x 58" Fixed table top: 59" x 33" x 54"	4-way table top: 420 lbs. 2-way table top top: 400 lbs. Fixed table top: 350 lbs.
Control, transformer, x-ray tube	54" x 34" x 36" palletted	535 lbs.

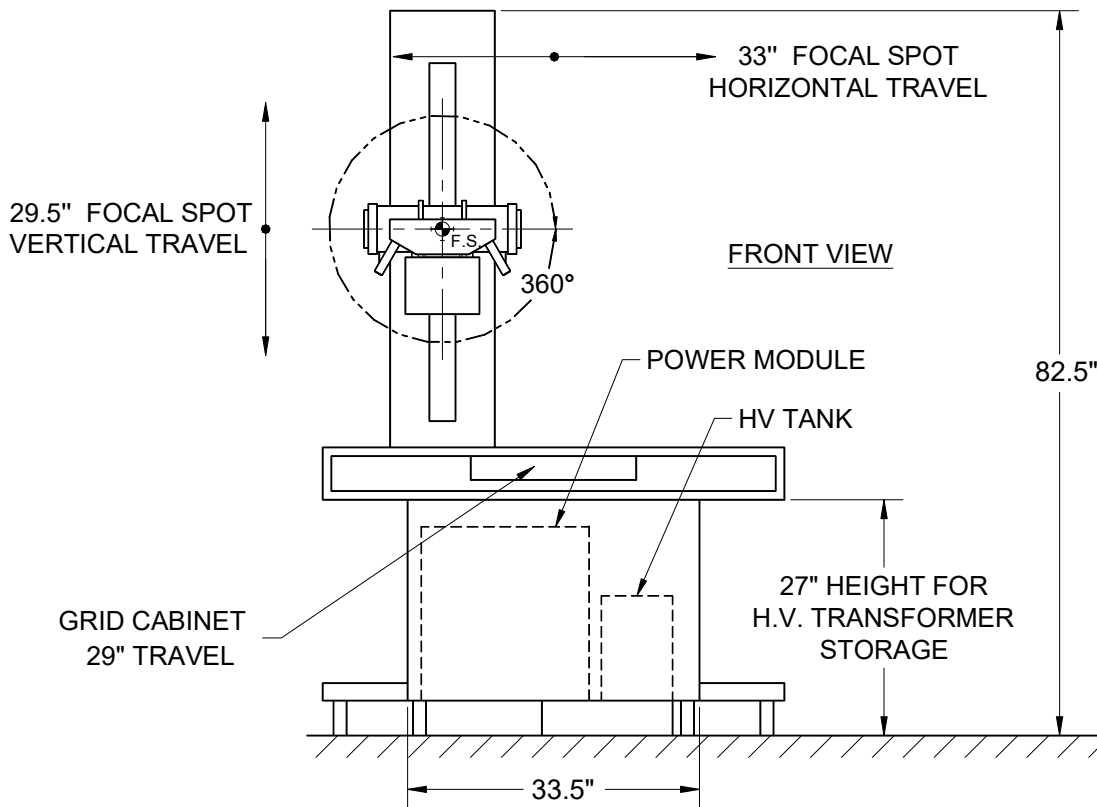
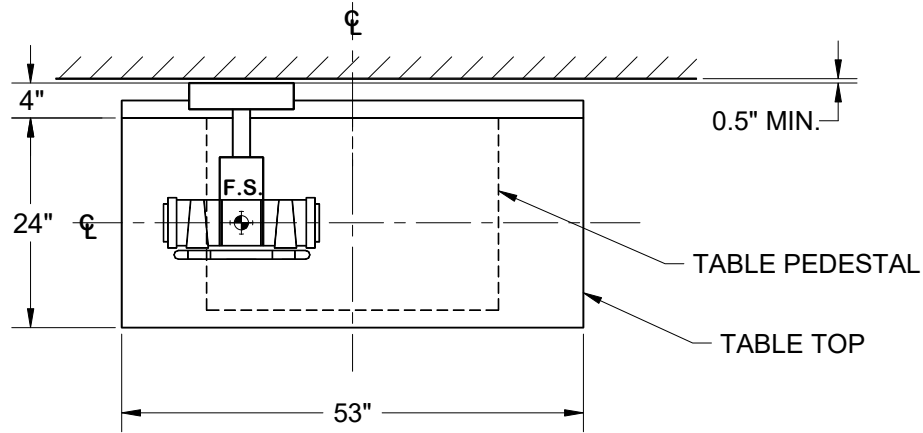
MISCELLANEOUS

Rated for 300-pound patient load.

Specifications subject to change without notice.

FIXED TABLE TOP INNOVET SELECT SYSTEM DRAWING

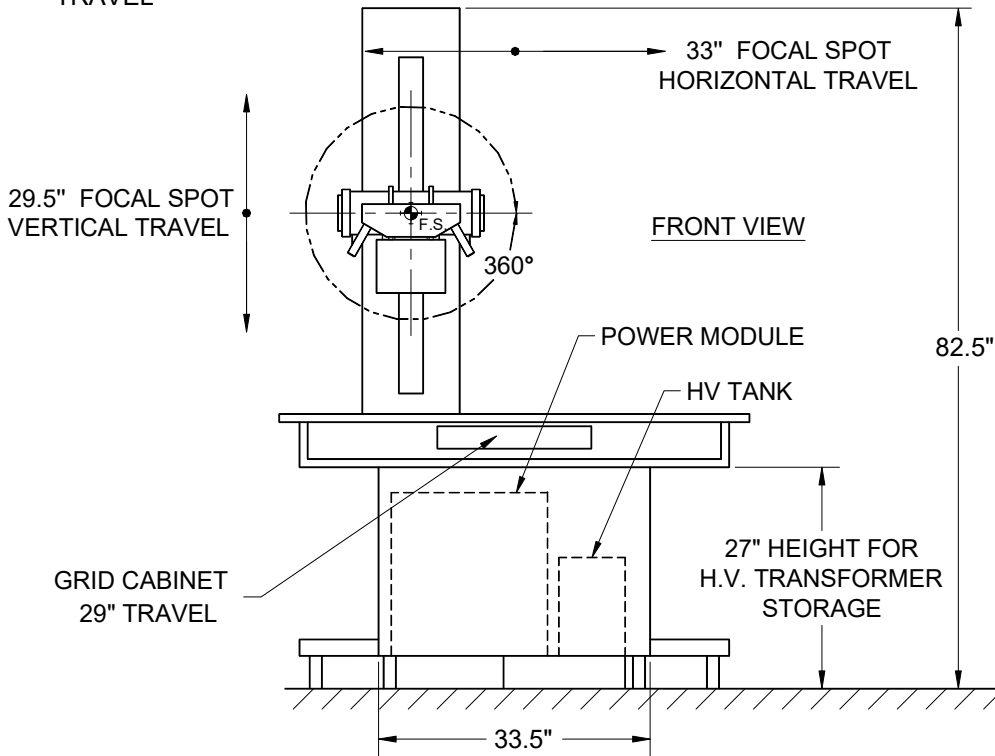
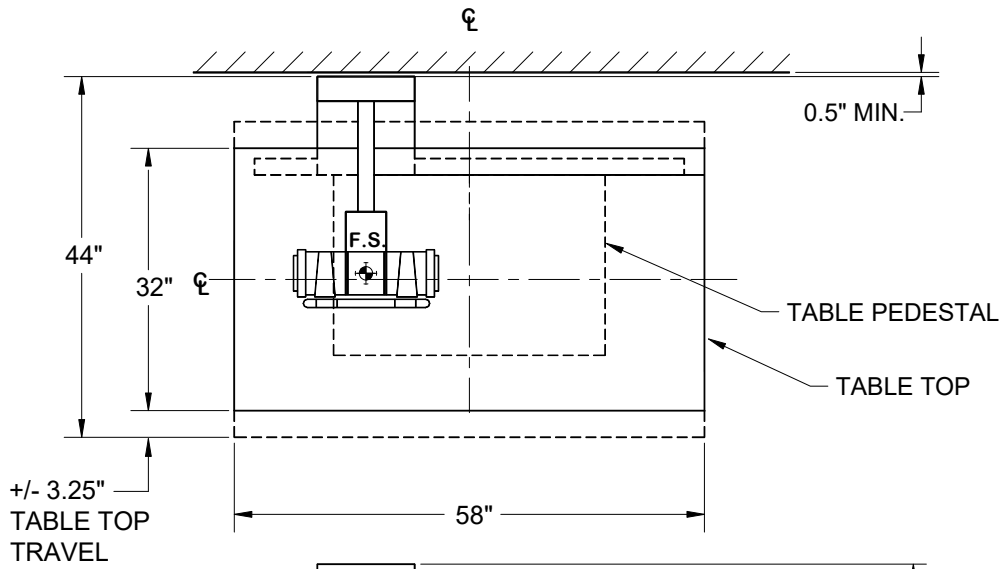
TOP VIEW



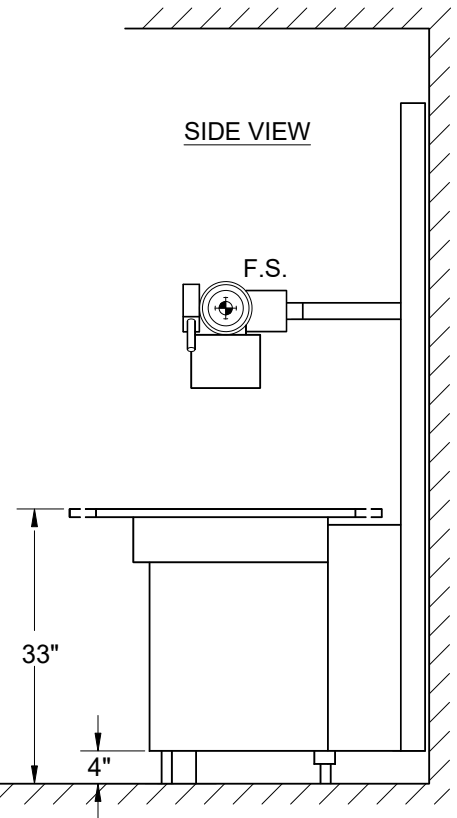
 = FOCAL SPOT (F.S.)

2-WAY TABLE TOP INNOVET SELECT SYSTEM DRAWING

TOP VIEW



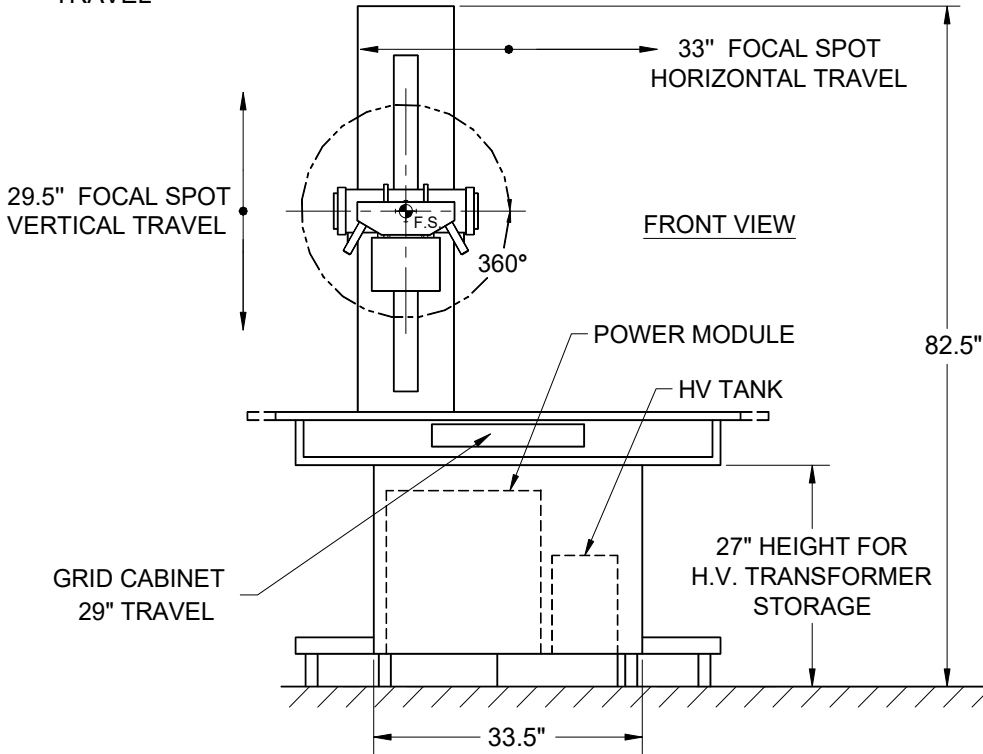
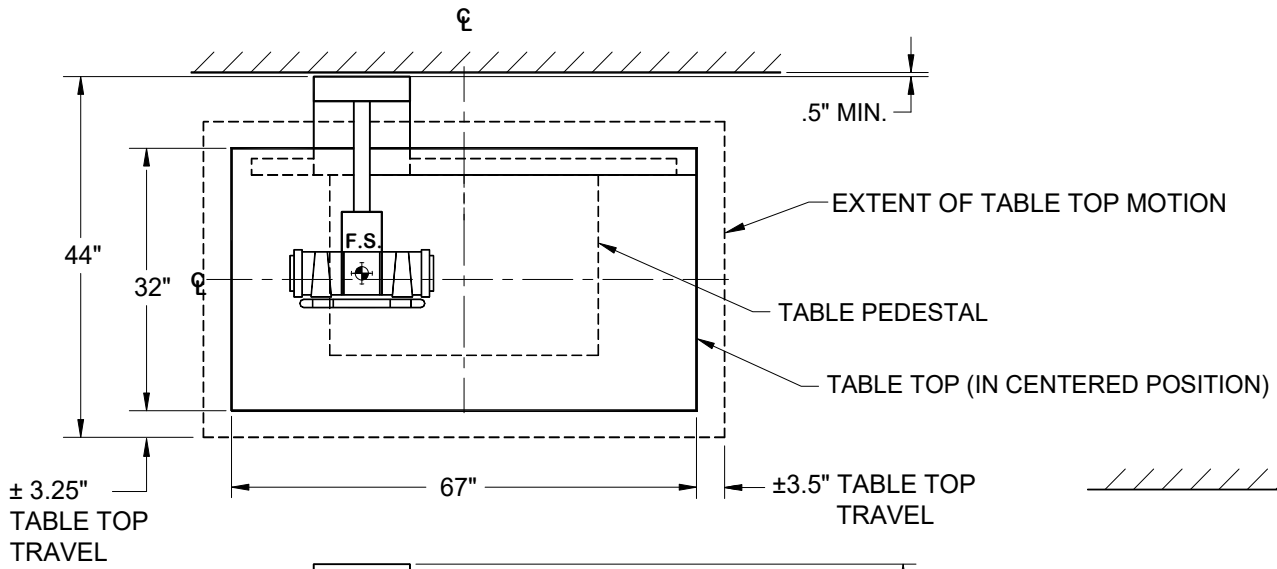
SIDE VIEW



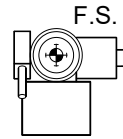
 = FOCAL SPOT (F.S.)

4-WAY TABLE TOP INNOVET SELECT SYSTEM DRAWING

TOP VIEW



SIDE VIEW



⊕ = FOCAL SPOT (F.S.)