

APR HF INNOVET SELECT VETERINARY SYSTEM

This fully-integrated, UL-listed table, tubestand and high frequency generator system requires as little as 11 square feet of floor space. Tube detents at 40 inches SID and angulates with mechanical lock. Grid cabinet and tubestand easily interlock for automatic alignment. Molded, rust-proof tray. Options include two sizes of floating table top, hands-free collimator light, latching prep, cassette bin.

SPECIFICATIONS

Space requirements	Column height: 82.5" Fixed table top: 53" wide, 28" deep 2-way table top: 58" x 44", or 67" x 44" 4-way table top: 75" x 44"
Mounting	Bolts to floor as desired. HV transformer sits on shelf in table base.
Electrical access	All cables enter rear of table/control. Front cover of control removes for internal access.

ELECTRICAL REQUIREMENTS

See TDS020 for generator requirements.
The generator provides 24 VAC and 24 VDC supply voltages for table locks and collimation.

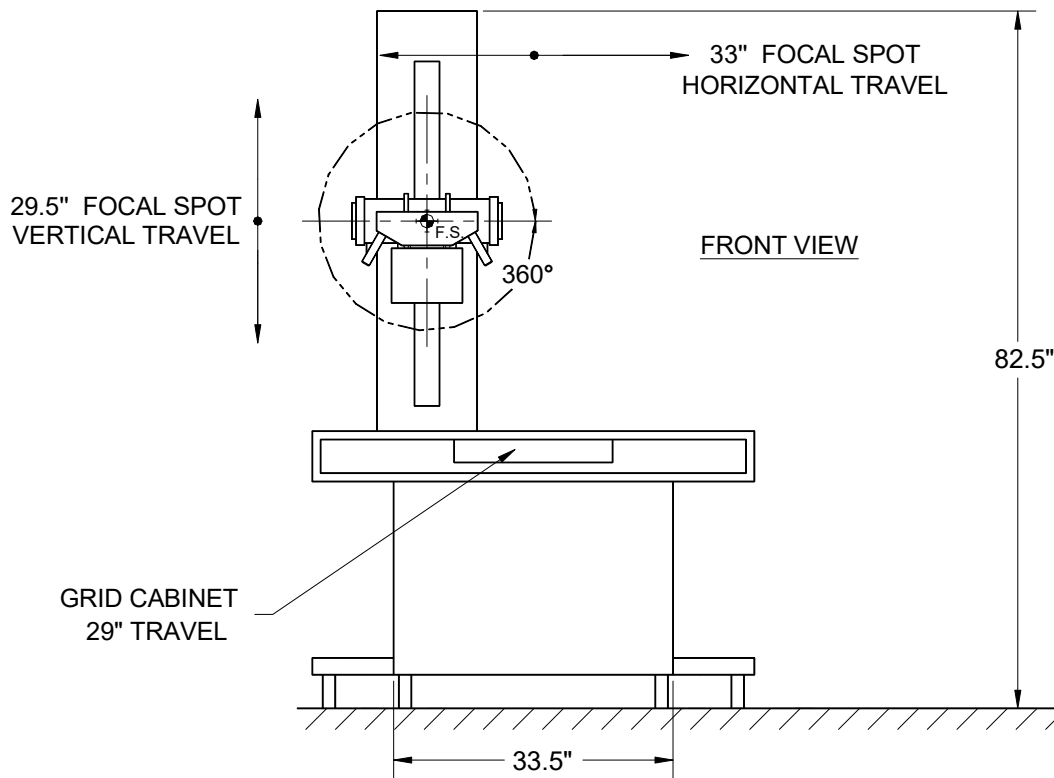
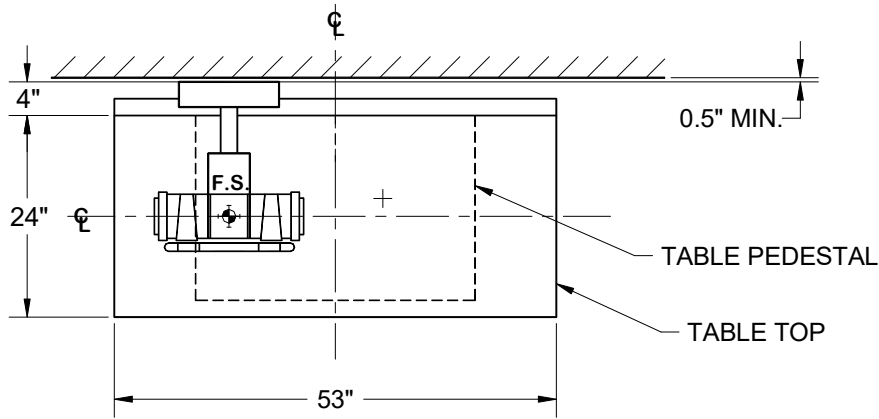
SHIPPING INFORMATION

CONTENTS	DIMENSIONS	WEIGHT
Tubestand	7.5" x 18" x 79"	130 lbs.
Table, collimator, accessories	4-way table top: 71" x 35" x 58" 2-way table top: 71" x 35" x 58" Fixed table top: 59" x 33" x 54"	4-way table top: 420 lbs. 2-way table top: 400 lbs. Fixed table top: 350 lbs.
Control, transformer, x-ray tube	54" x 34" x 36" palletted	300 lbs.

Specifications subject to change without notice.

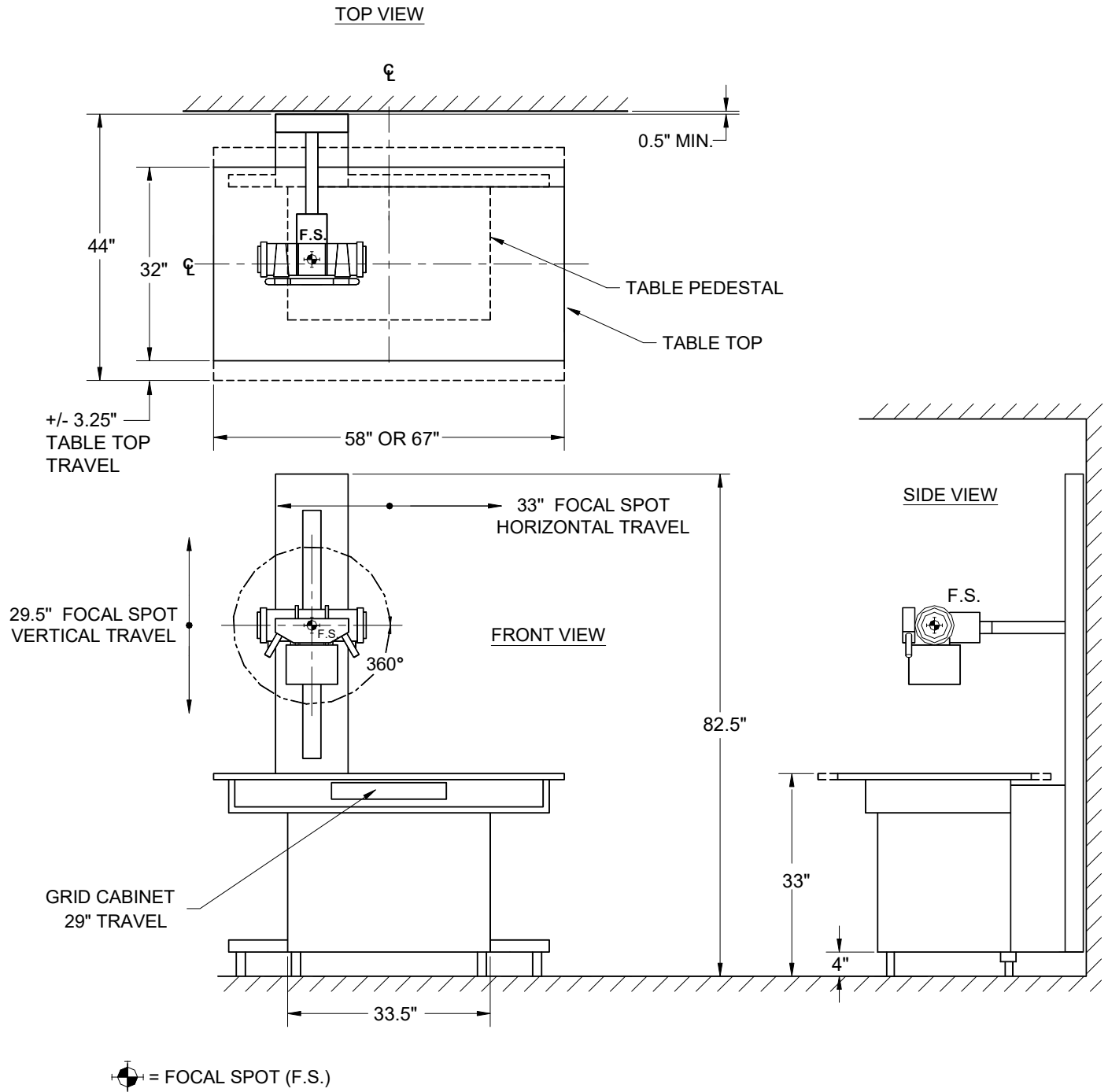
FIXED TABLE TOP APR HF INNOVET SELECT SYSTEM DRAWING

TOP VIEW



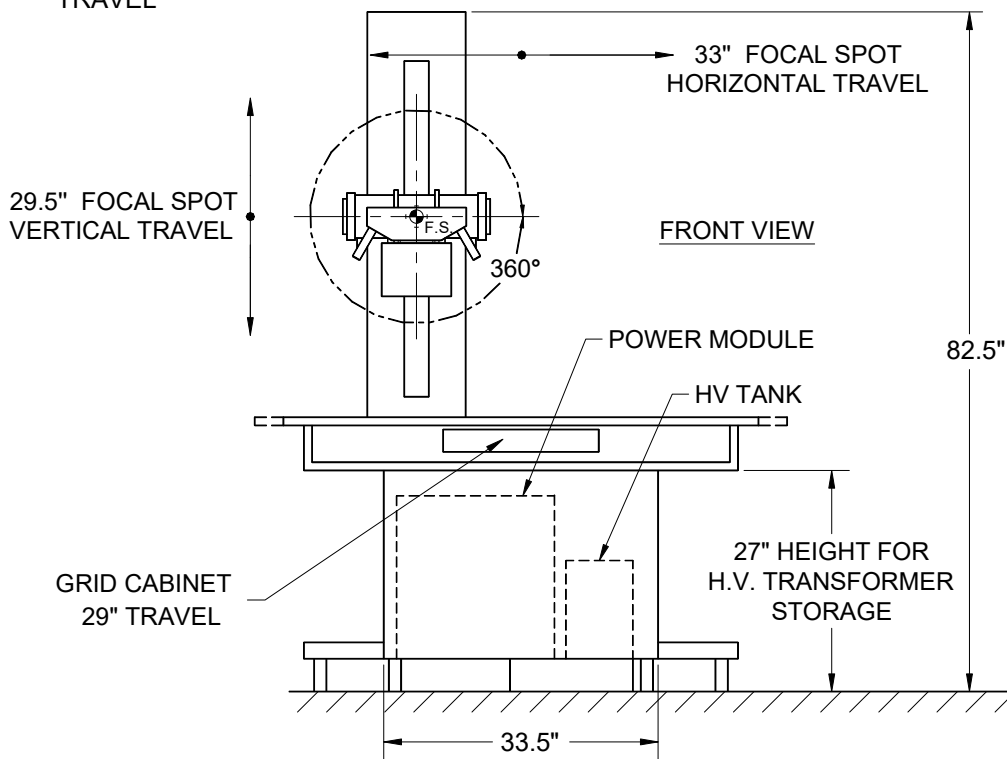
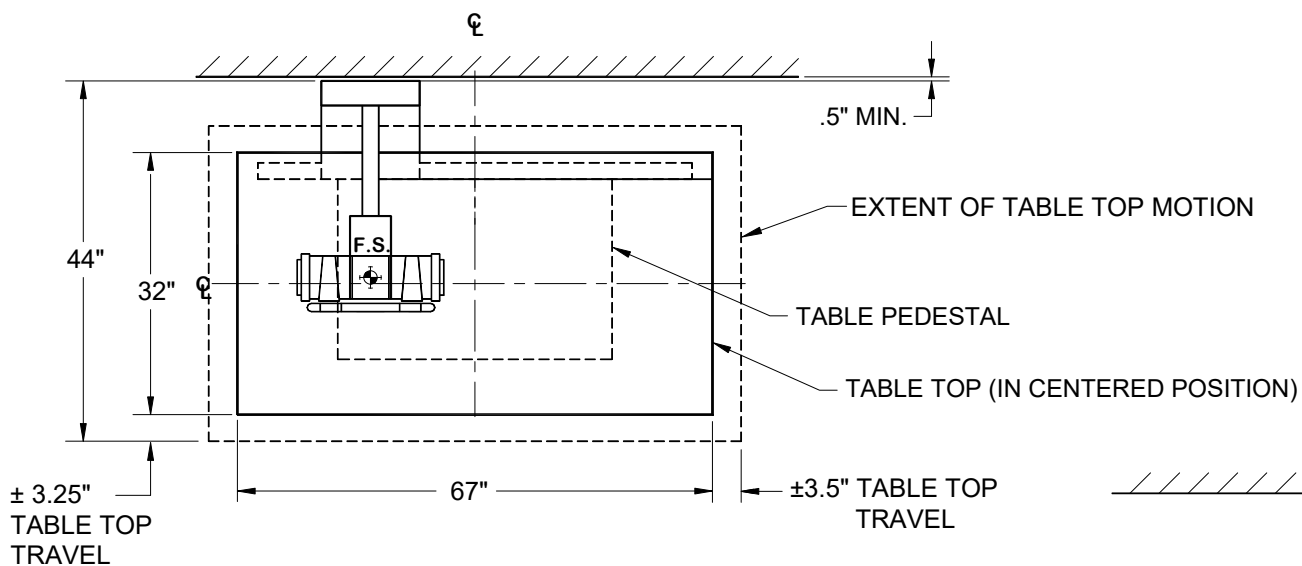
 = FOCAL SPOT (F.S.)

2-WAY TABLE TOP APR HF INNOVET SELECT SYSTEM DRAWING

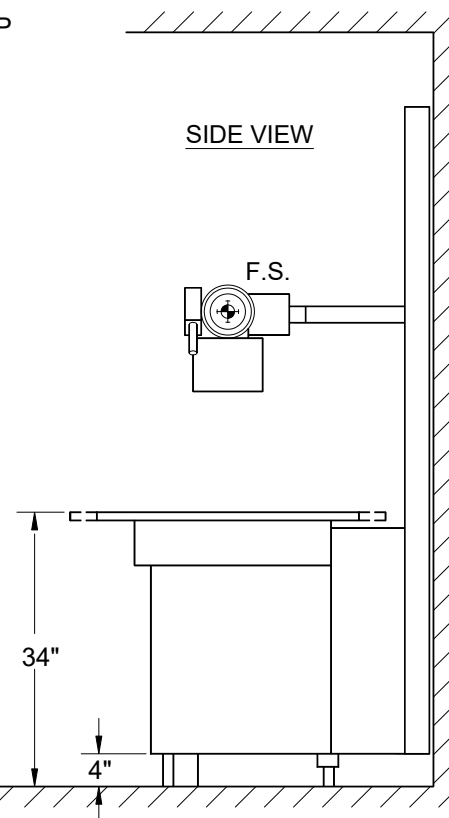


4-WAY TABLE TOP INNOVET SELECT SYSTEM DRAWING

TOP VIEW



SIDE VIEW



 = FOCAL SPOT (F.S.)