

ITT TABLE SYSTEM

This table has a 300 pound load rating. A 76 x 30 inch top is standard. The table base has an open back for easy access and is 27 inches high for equipment storage if desired.

TRAVEL AND ALIGNMENT

Table top height	32-1/2 inches
Patient load rating	300 pounds
Image receptor travel	50 inches
Rear of upper table base to film center	Approximately 13-1/2 inches

MOUNTING SPECIFICATIONS

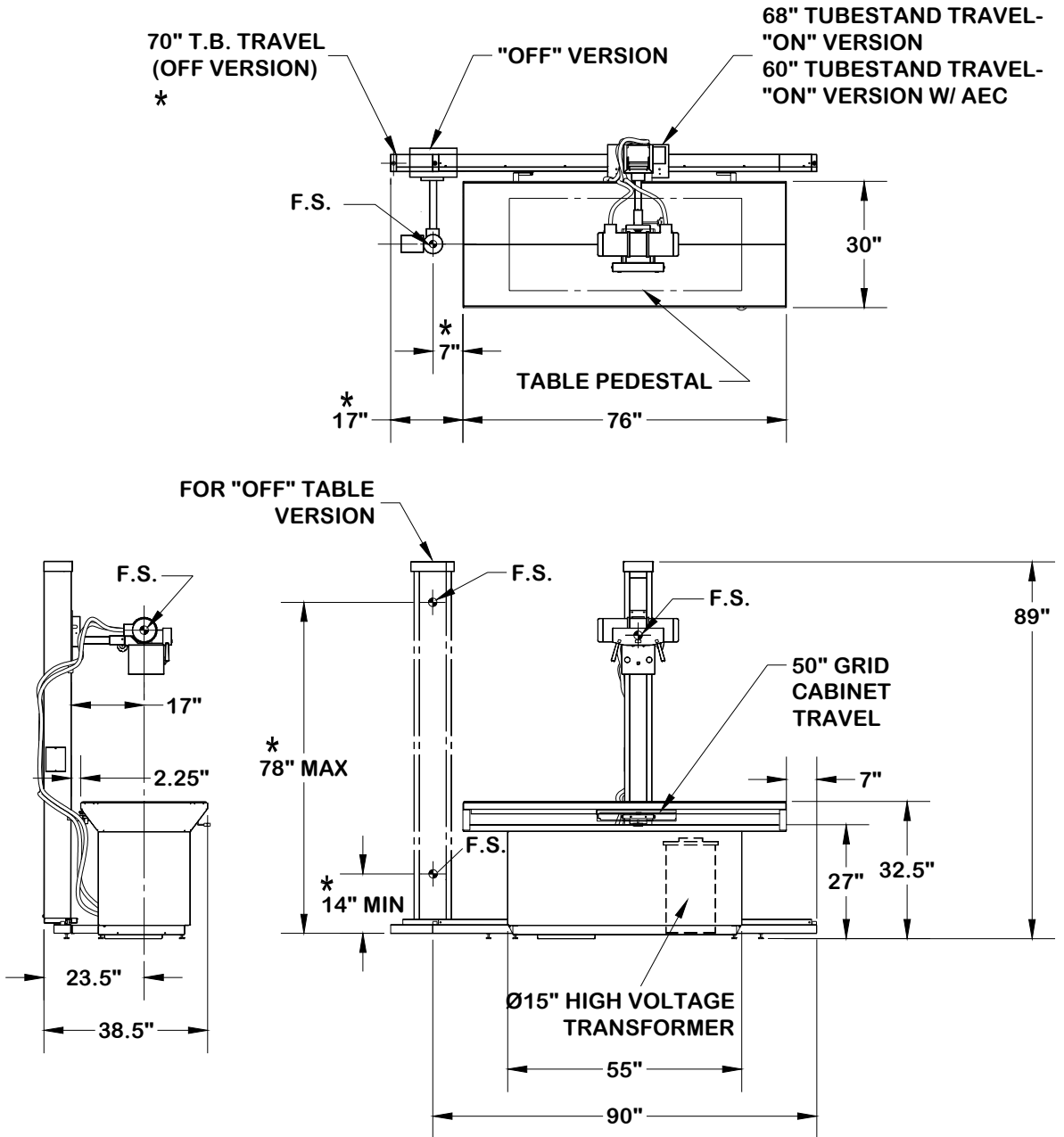
The table bolts to the floor in four places. Recommended holding force for each bolt (not provided) is 500 pounds.

SHIPPING INFORMATION

CONTENTS	DIMENSIONS	WEIGHT
Table base	37 x 32 x 78 inches	210 lbs.

Specifications subject to change without notice.

ITT TABLE SYSTEM



☉ FOCAL SPOT (F.S.)

* THESE DIMENSIONS APPLY TO OPTIONAL OFF-TABLE TUBESTAND DESIGN.