

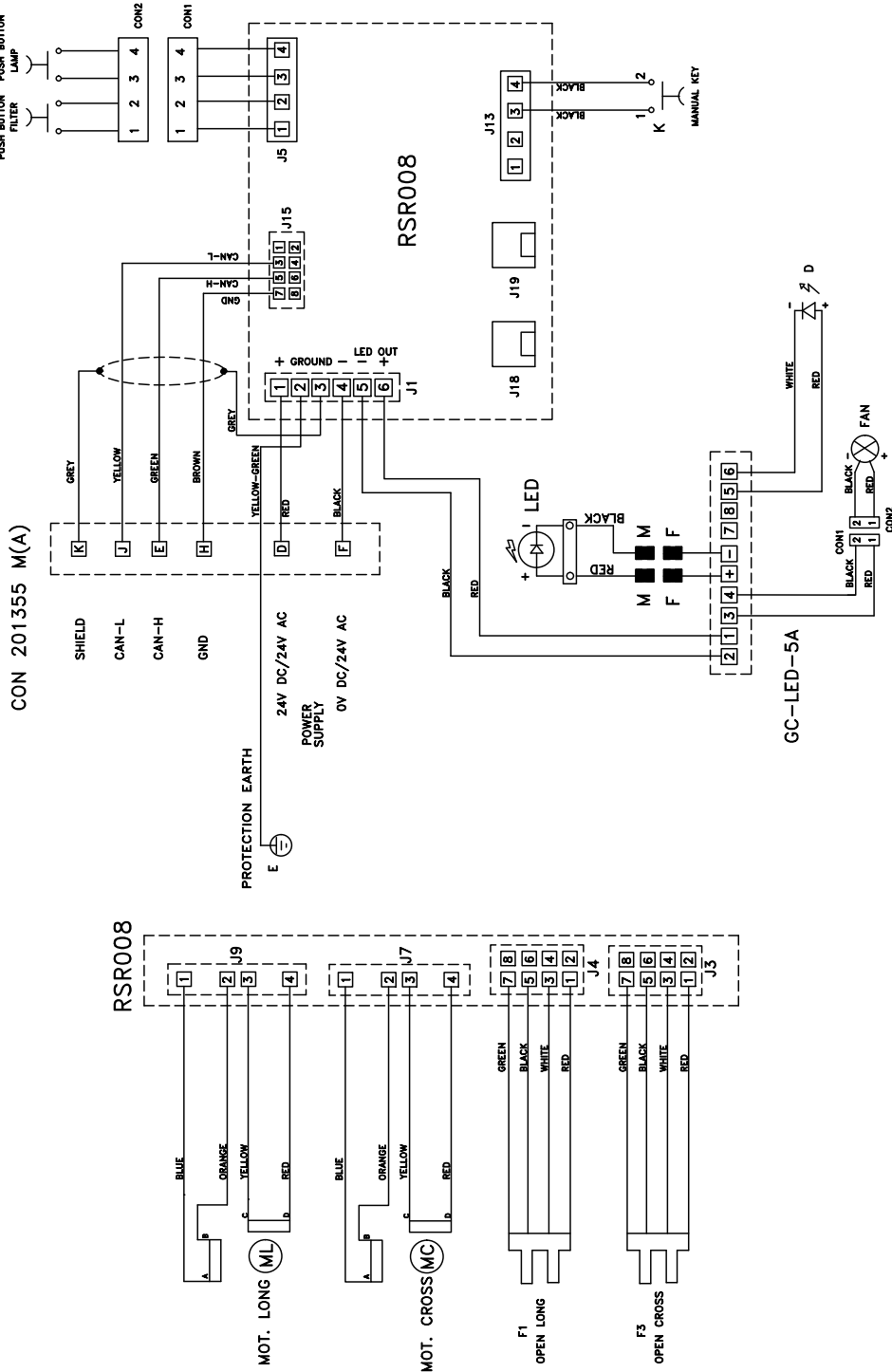
DESCRIPTION

This collimator is equipped with the following optional items; a detailed description is provided within this **PERSONALIZATIONS** document or within the Instruction Manual, chapter **OPTIONAL ITEMS**.

RO 096	Customized wiring
RO 107	Customized knobs
RO 308	Interface PC board for Can Bus transmission of analogue signals to the PCB on the collimator
RO 330	Cable extension
RO 332	Plastic flange, 15 mm thickness

INSTALLATION

Wiring Diagram



REV.	DATA	MRF	REVISIONE	DESCRIZIONE
A	16/07/13	002/13	TUCCI	MODIFICA CABLAGGIO ASRS03
B	25/01/17	004/17	TUCCI	GRUPPO ELETTROTECNICO+FASTUM LED

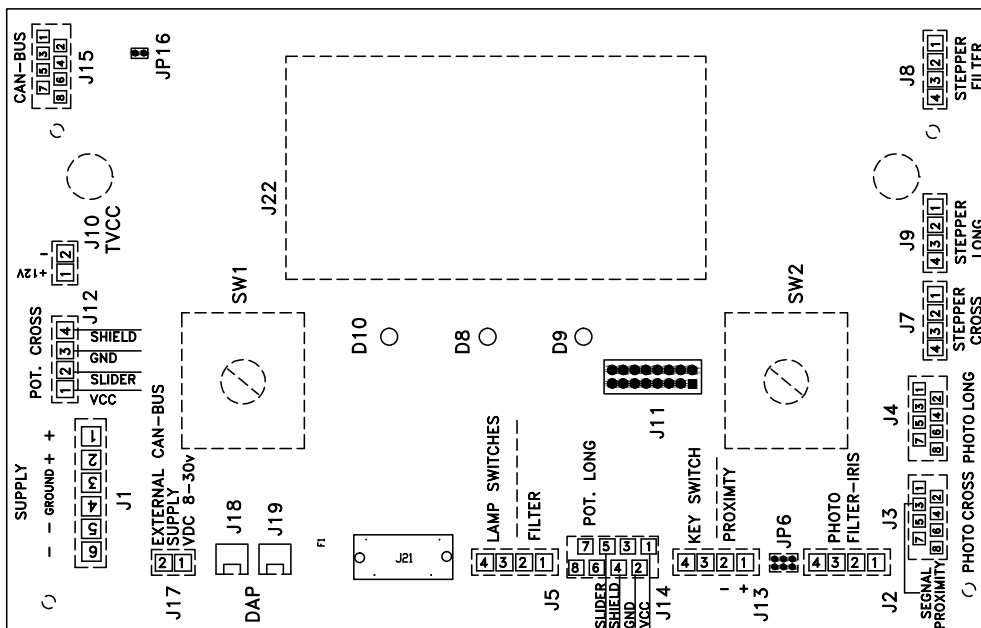
DISEGNATO: Tucci Davide CONTROLLO: Alessandro Pizzogalli	PROGETTO: DATA: 24/09/12 PAG.: 1D14 DENOMINAZIONE R 225/170H/ACS DHHS	QUALITA': FORMATO: A3 N. COD. 225E026
---	---	--



RALCO s.r.l. - A TENORE DI LAVORO ESISTE NEI PAESI DI RIFORMAZIONE O COMMERCIO A RITE CONCORDATI O AD ALTRI REGIMI. LA SUA ESPlicita APPROVAZIONE.

R225/170H/ACS DHHS - Installation

R225/170H/ACS DHHS - Installation



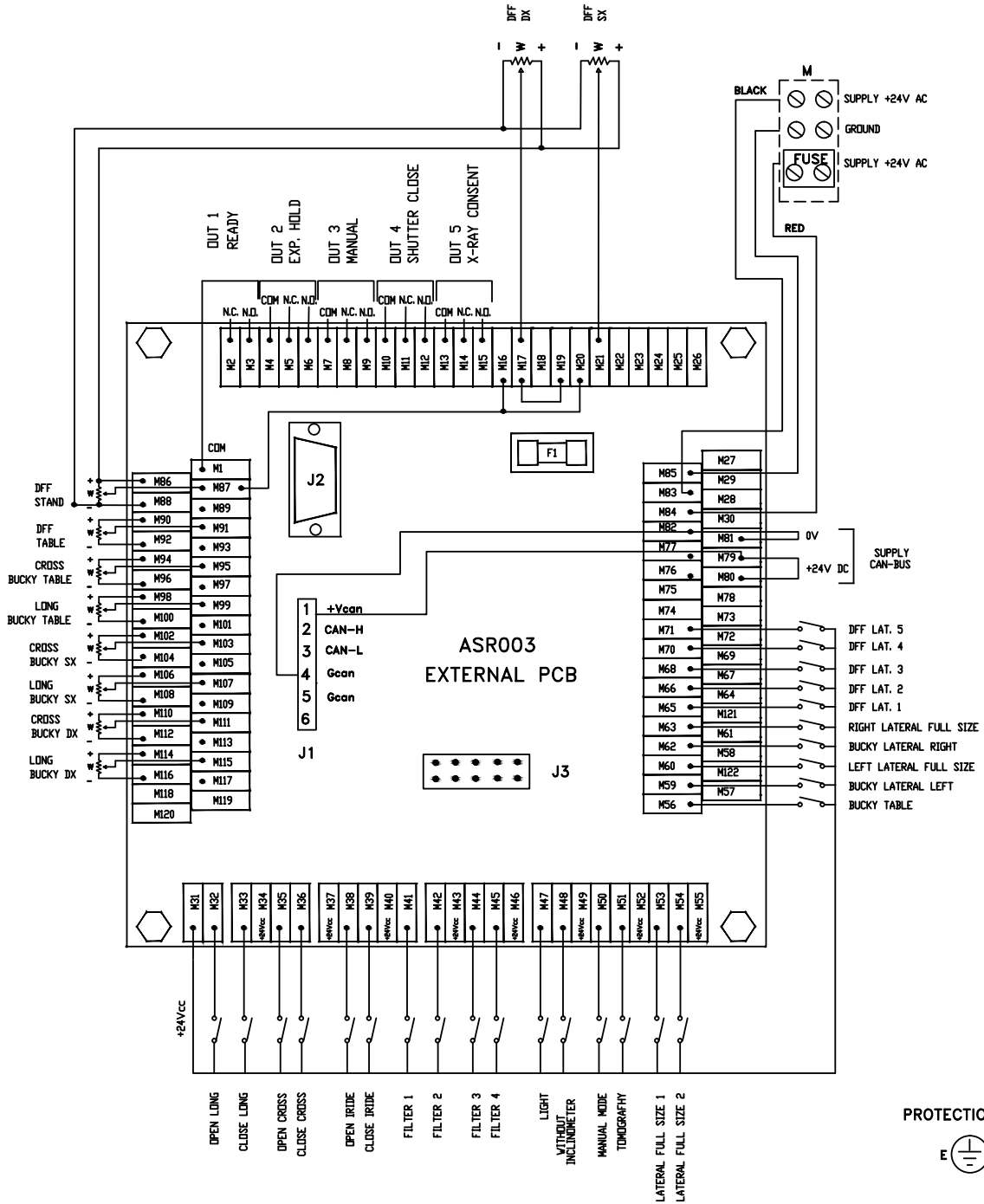
REV.	DATA	MRF	DESCRIZIONE	REVISIONE
B	25/01/17	004/17	TUCCI	GRUPPO ELETTRICO+FASTON LED
A	16/01/13	002/13		MODIFICA CABLAGGIO ASR003

POSIZ.	DENOMINAZIONE	N° PEZZI	CODICE
14	TERMINAL FASTON MALE (M)	2	MP11414
13	TERMINAL FASTON FEMALE (F)	2	MP11415
12	PUSH BUTTON	2	MP11716
11	OPTO SWITCH (F1, F3)	2	MP11567
10	CONNECTOR FEMALE 2 WAYS AMP (CON1)	1	MP11396
9	CONNECTOR MALE 2 WAYS AMP (CON2)	1	MP11397
8	ELECTRONIC BOARD GC-LED-SA	1	MP11797
7	FAN 5V DC	1	MP11776
6	LED	1	GE00093
5	ELECTRONIC BOARD RSR008	1	MP11788
4	MANUAL KEY SWITCH (K)	1	MP11757
3	LASER 5V DC (D)	1	MP11761
2	MOTOR STEPPER 17PM (ML, MC)	2	MP11903
1	ELECTRICAL WIRING	1	GE00542

DESIGNATO: Tucci Davide	PROGETTO:	QUALITA':
CONTROLLATO: Alessandro Pizzogalli	DATA: 24/09/12	PAG.: 2/DI4
	DENOMINAZIONE	FORMATO: A3
	R 225/170H/ACS DHHS	N. COD. 225E026

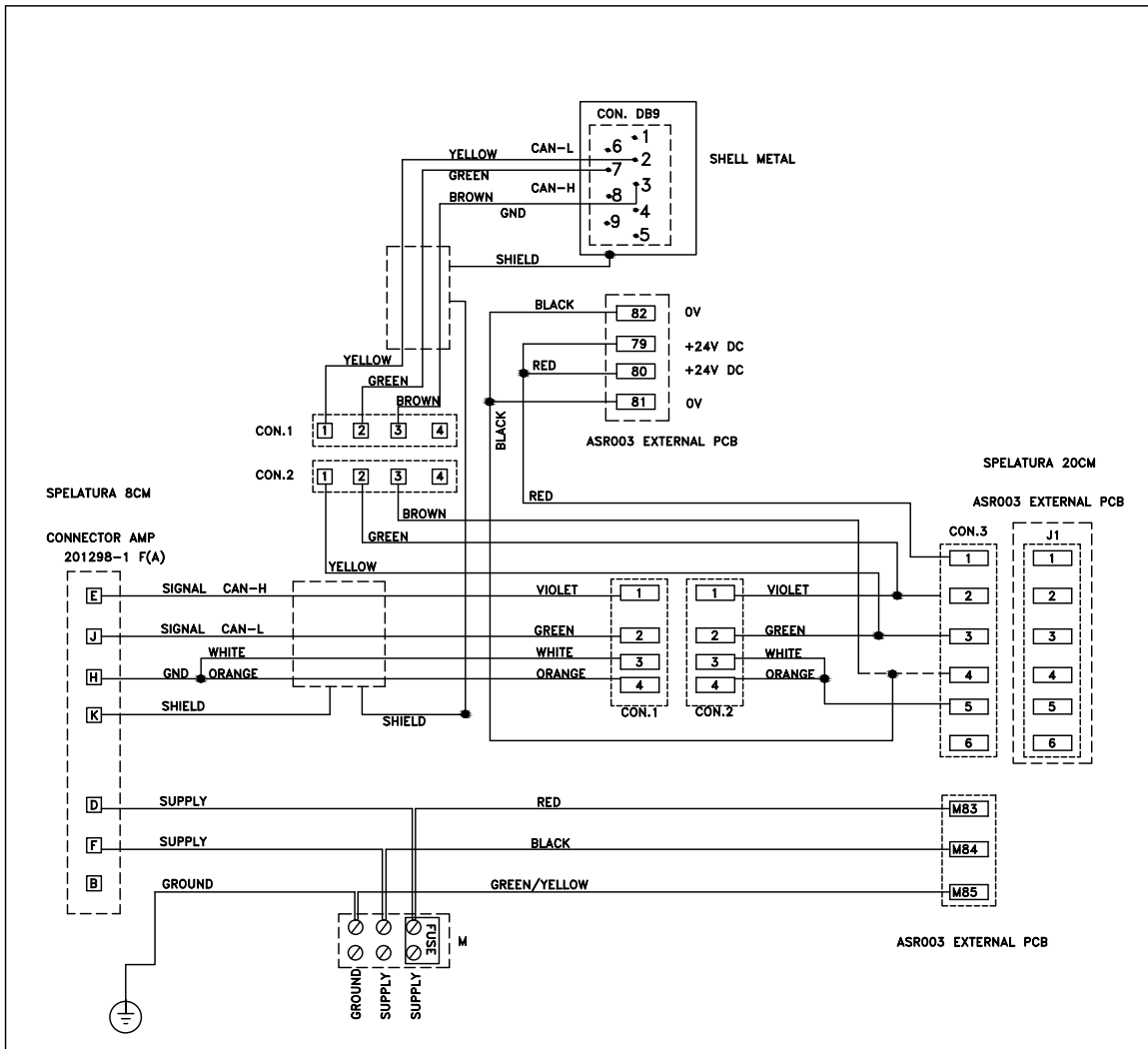


RALCO s.r.l. A TERMINI DI LAVORO ESSA VIETA DI RIPRODURRE O COMUNICARE A TERZI CONCONTI O AD ALTRI SENZA LA SUA ESPLICITA APPROVAZIONE.



PROTECTION EAI
E

R225/170H/ACS DHHS - Installation



8	CONNECTOR AMP 6 MALE (CON.3)	1	MP11442
7	SHELL METAL	1	MP11429
6	CONNECTOR AMP 4 MALE (CON.1)	2	MP11409
5	CONNECTOR AMP 4 FEMINA (CON.2)	2	MP11423
4	CONNECTOR DB9 9 WAYS	1	MP11730
3	CONNECTOR AMP 201298-1	1	MP11451
2	MULTIPOLAR WIRE	14 mt.	MP11222
1	ELECTRICAL WIRING	1	GEO0780
POSIZ.	DENOMINAZIONE	N° PEZZI	CODICE
DISEGNATO: Tucci Davide		PROGETTO:	
CONTROLLATO: Alessandro Pizzagalli		QUALITA':	
	DATA: 24/09/12	PAG.: 4DI4	FORMATO: A4
	DENOMINAZIONE CONNECTION WIRE R 225/170H/ACS DHHS		
<small>RALCO s.r.l. A TERMINI DI LEGGE ESSA VIETA DI RIPRODURRE O COMUNICARLO A TERZI CONCORRENTI O AD ALTRI SENZA LA SUA ESPLICITA APPROVAZIONE.</small>			

DESCRIZIONE
 MODIFICA CABLAGGIO ASR003
 REV. DATA LURE
 A 16/07/13 002/13

R225/170H/ACS DHHS - Installation

SPARE PARTS



WHEN ORDERING SPARE PARTS, THE CUSTOMER IS REQUESTED TO SPECIFY THE COLLIMATOR MODEL AND SERIAL NUMBER.

R225/170H/ACS DHHS

Cod.	Description
RS 409	Laser
RS 665	Photocell shutters and filter
RS 754	Right accessory guide
RS 755	Left accessory guide
RS 781	Switch
RS 940	Lateral access panel
RS 1009	Step Motor - square shutters
RS 1015	ASR003 external board
RS 1010	Antidust panel
RS 1011	Retractable tape measure
RS 1013	Mirror with support
RS 1064	LED board
RS 1065	LED
RS 1106	Fan
RS 1128	Mounting flange
RS 1130	Knob
RS 1261	Upper cover, up to SN 716
RS 1262	Lower cover
RS 1263	Rear cover
RS 1264	Front panel
RS 1365	Left lateral cover
RS 1366	Right lateral cover
RS 1681	RSR 008 PCB internal board

Label

<p>Manufactured by Ralco s.r.l. for SEDECAL</p>	<p>Ralco srl Via dei Tigli 13/G 20853 Biassono (MB) - Italy 2016-03</p>
<p>BEAM LIMITING DEVICE Series: R 225 ACS DHHS Model: R 225 ACS DHHS Customization: 170H SN 1603090</p>	<p>Min. inherent filtration Al equiv. 2 mm Al/75 IEC 60522/1999 X-Ray rating up to: 150kVp Supply: 24V AC/DC, 2A, 50/60Hz</p>
<p>(01)08058776050080(11)160300(21)00000001603090</p>	

<p>Ralco s.r.l.</p>	<p>Ralco srl Via dei Tigli 13/G 20853 Biassono (MB) - Italy 2016-12</p>
<p>Accessory: RO 308</p>	<p>Use limited to collimator:</p>
<p>Supply 24V AC 2.5A 50/60 Hz</p>	<p>Model: R 225 ACS DHHS SN 1609789</p>

R225/170H/ACS DHHS - Spare Parts

Date of Issue:
01.08.2012

Revision Level:
B - VVS/019/14
C - MRM/089/15
D - MRD/031/16

Issued by:

