

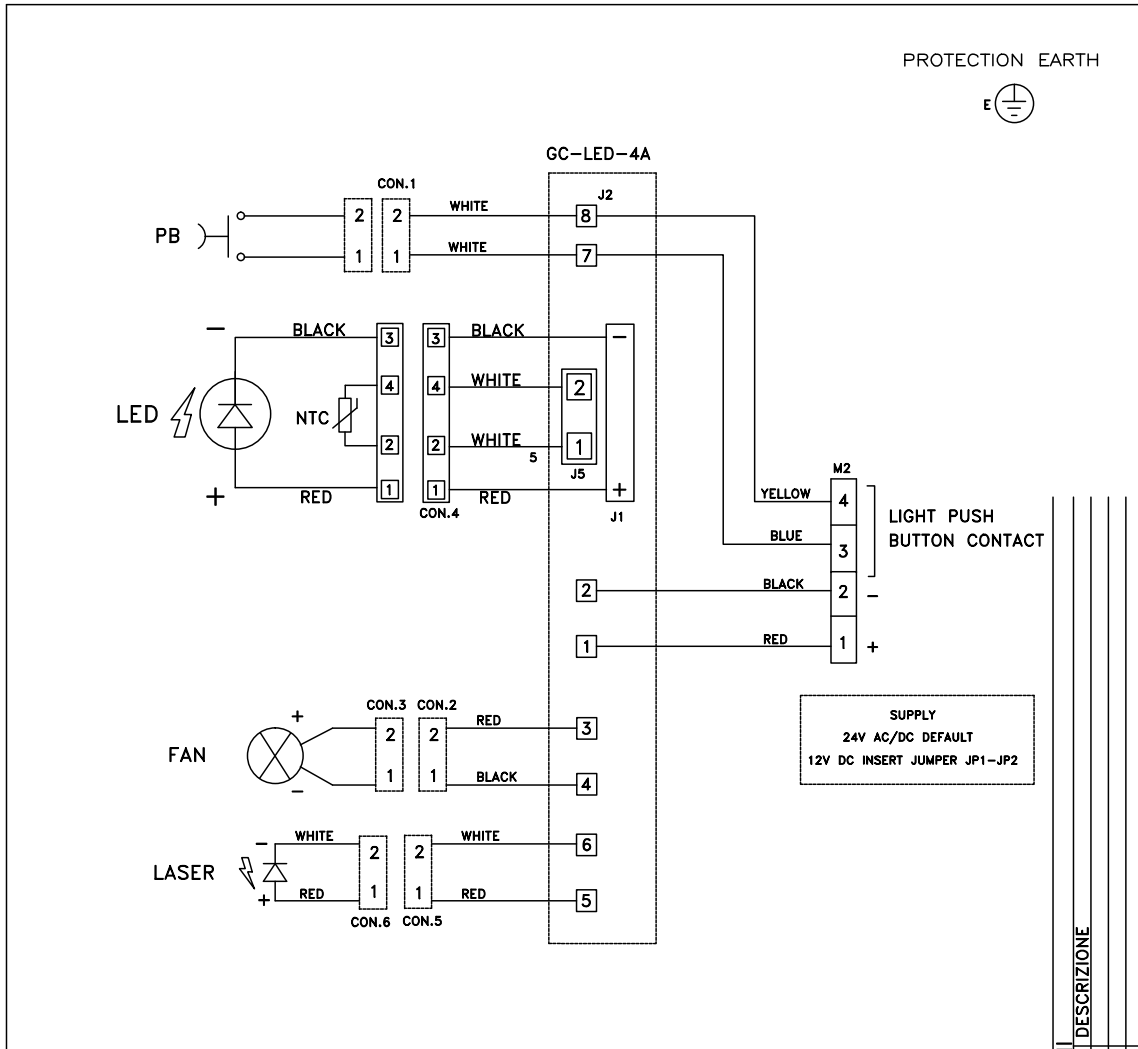
**DESCRIPTION**

This collimator is equipped with the following optional items; a detailed description is provided within this **PERSONALIZATIONS** document or within the Instruction Manual, chapter **OPTIONAL ITEMS**.

| <b>RO</b> | <b>DESCRIPTION</b>   |
|-----------|--|
| RO 012/B  | Retractable measuring tape   |
| RO 096    | Wiring customization   |
| RO 107    | Knob color customization   |
| RO 111    | Front panel customization  |
| RO 332    | Resin rotating mounting flange: 15mm thickness, +/-0° detent, 140mm diameter including fixing screws |
| RO 586    | Single laser line to align collimator and detector center: Class 1                                   |

INSTALLATION

Wiring Diagram



| POSIZ. | DENOMINAZIONE                                   | N° PEZZI | CODICE  |
|--------|---|----------|---------|
| 10     | LASER 5V DC (L)                                 | 1        | MP11761 |
| 9      | CONNECTOR MOLEX 4 WAYS (CON.4)                  | 1        | MP19174 |
| 8      | CONNECTOR JST 4 WAYS (J5)                       | 1        | MP19067 |
| 7      | AMP CONNECTOR 2 WAYS FEMALE (CON.2, CON.5)      | 2        | MP11396 |
| 6      | AMP CONNECTOR 2 WAYS MALE (CON.1, CON.3, CON.6) | 3        | MP11397 |
| 5      | 4 WAYS TERMINAL UL (M2)                         | 1        | MP11357 |
| 4      | LED   | 1        | GE01100 |
| 3      | ELECTRONIC BOARD GC-LED-4A                      | 1        | MP19180 |
| 2      | FAN 5V DC                                       | 1        | MP11776 |
| 1      | ELECTRICAL WIRING                               | 1        | GE01077 |

| REV. | DATA | DESCRIZIONE |
|------|------|-------------|
|      |      |             |
|      |      |             |
|      |      |             |

|                           |  |                                  |  |             |  |
|---------------------------|--|----------------------------------|--|-------------|--|
| DISEGNATO: Testa Nicolo'  |  | PROGETTO:                        |  | QUALITA':   |  |
| CONTROLLATO: Tucci Davide |  | DATA: 20/12/18                   |  | FORMATO: A4 |  |
|                           |  | PAG. 1 di 1                      |  | N. COD.     |  |
|                           |  | DENOMINAZIONE<br>R 225/303E DHHS |  | 225E090     |  |

QUESTO DISEGNO E' PROPRIETA' ESCLUSIVA DELLA RALCO S.r.l. A TERMINI DI LEGGE ESSA VIETA DI RIPRODURLO O COMUNICARLO A DITTE CONCORRENTI O AD ALTRI SENZA LA SUA ESPLICITA APPROVAZIONE.

R225/170G DHHS - Installation

**SPARE PARTS**

WHEN ORDERING SPARE PARTS, THE CUSTOMER IS REQUESTED TO SPECIFY THE COLLIMATOR MODEL AND SERIAL NUMBER.

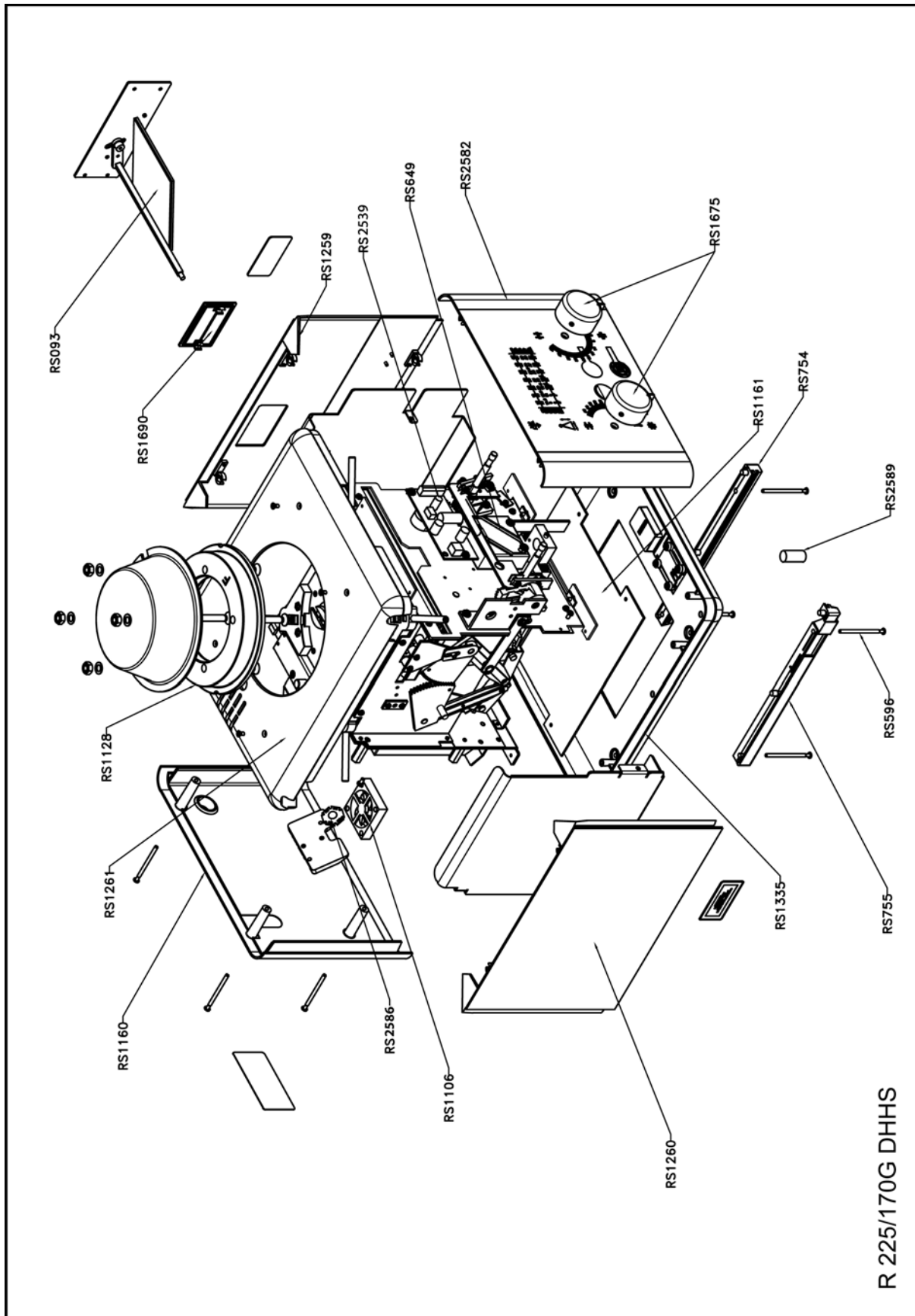
**R225/170G DHHS**

| Cod.    | Description                    |
|---------|--------------------------------|
| RS 093  | Glass mirror, 1.7 mm thickness |
| RS 596  | Screw, TC M3x25 mm             |
| RS 649  | Retractable tape measure       |
| RS 754  | Right accessory guide          |
| RS 755  | Left accessory guide           |
| RS 1128 | Mounting flange                |
| RS 1106 | Fan                            |
| RS 1160 | Rear cover                     |
| RS 1161 | Antidust panel                 |
| RS 1259 | Right lateral cover            |
| RS 1260 | Left lateral cover             |
| RS 1261 | Upper cover                    |
| RS 1335 | Lower cover                    |
| RS 1675 | Knob                           |
| RS 1690 | Lateral access panel           |
| RS 2539 | LED board                      |
| RS 2582 | Front panel with push-button   |
| RS 2586 | LED                            |
| RS 2589 | Laser                          |

**Label**



Parts Breakdown



R225/170G DHHS - Spare Parts

R 225/170G DHHS

**Date of Issue:**  
**27.02.2019**

**Revision Level:**

**Issued by:**

