

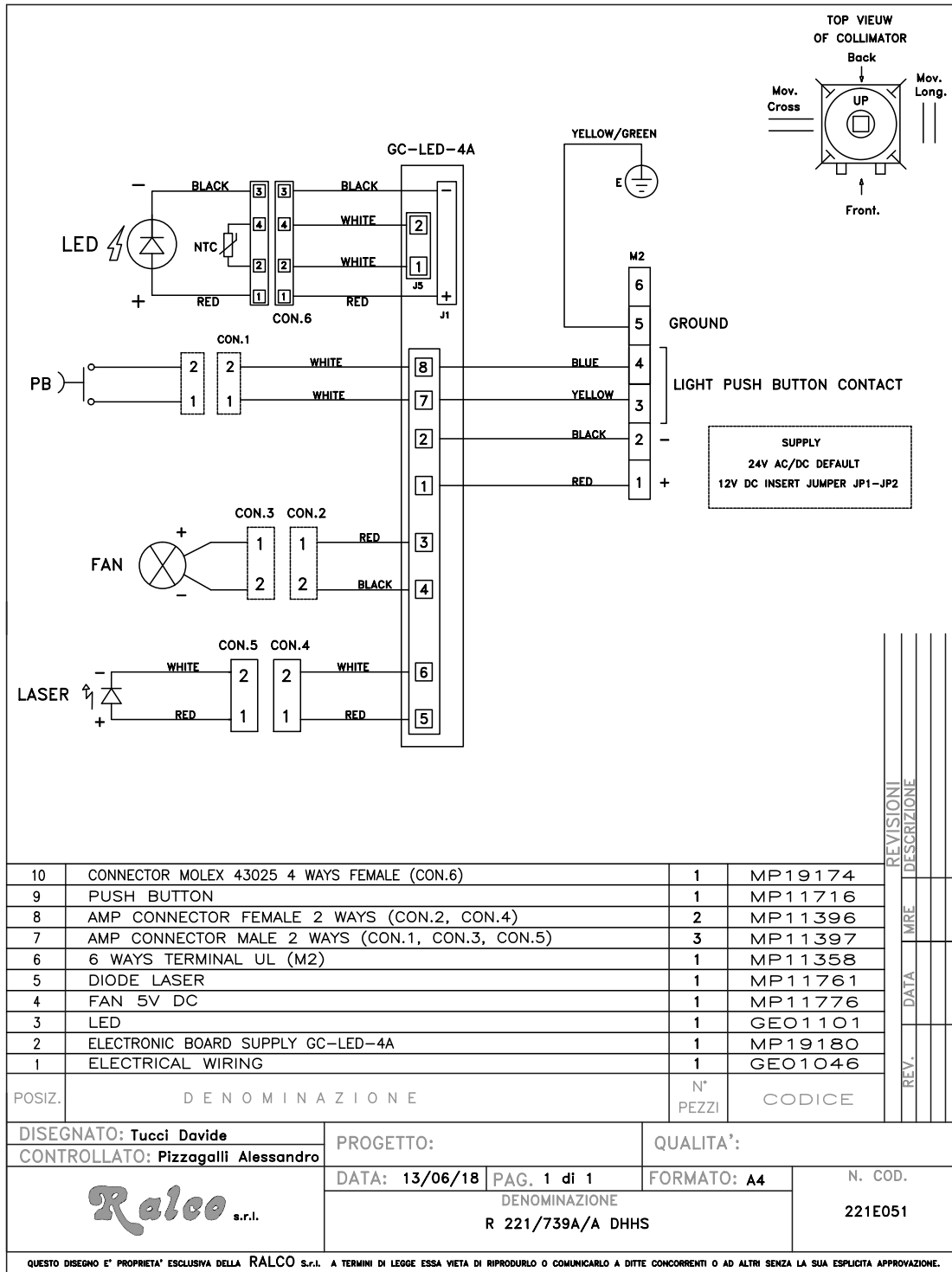
## DESCRIPTION

This collimator is equipped with the following optional items; a detailed description is provided within this **PERSONALIZATIONS** document or within the Instruction Manual, chapter **OPTIONAL ITEMS**.

RO	DESCRIPTION
RO 096	Wiring customization
RO 111	Front panel customization: Front panel screen printed with graduated Long and Cross shutter openings scale sizes: 0-8 "-10" -12 "-14" -17 "-18" at an SID of 40 " (white background in RAL 9003)
RO 369	Resin rotating mounting flange: 20mm thickness, +/-90° mechanical stop, 140mm diameter
RO 586	Single laser line to align collimator and detector center: Class 1

INSTALLATION

Wiring Diagram



R221/729B/A DHHS - Installation

**SPARE PARTS**



WHEN ORDERING SPARE PARTS, THE CUSTOMER IS REQUESTED TO SPECIFY THE COLLIMATOR MODEL AND SERIAL NUMBER.

**R221/729B/A DHHS**

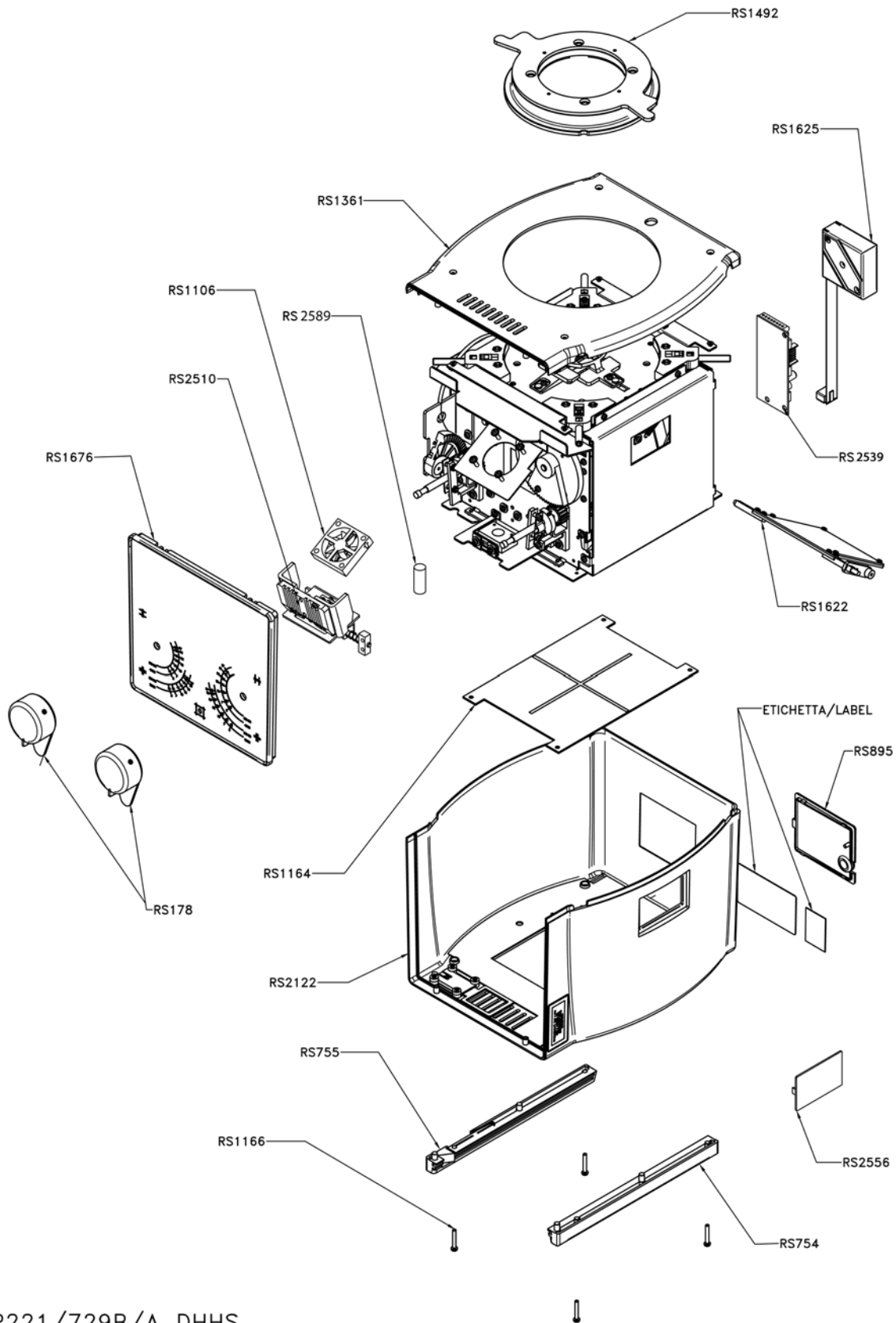
Cod.	Description
RS 178	Knob
RS 754	Right accessory guide
RS 755	Left accessory guide
RS 895	Rear panel
RS 1106	Fan
RS 1164	Antidust panel
RS 1166	Screw, TS M3x20 mm
RS 1361	Upper cover
RS 1492	Mounting flange
RS 1622	Mirror
RS 1625	Retractable tape measure
RS 1676	Front panel with push-button
RS 2122	Lower cover
RS 2510	LED
RS 2539	LED board
RS 2556	Lateral access panel
RS 2589	Laser

R221/729B/A DHHS - Spare Parts

**Label**



**Parts Breakdown**



R221/729B/A DHHS - Spare Parts

R221/729B/A DHHS

**Date of Issue:**  
**09.04.2019**

**Revision Level:**

**Issued by:**

