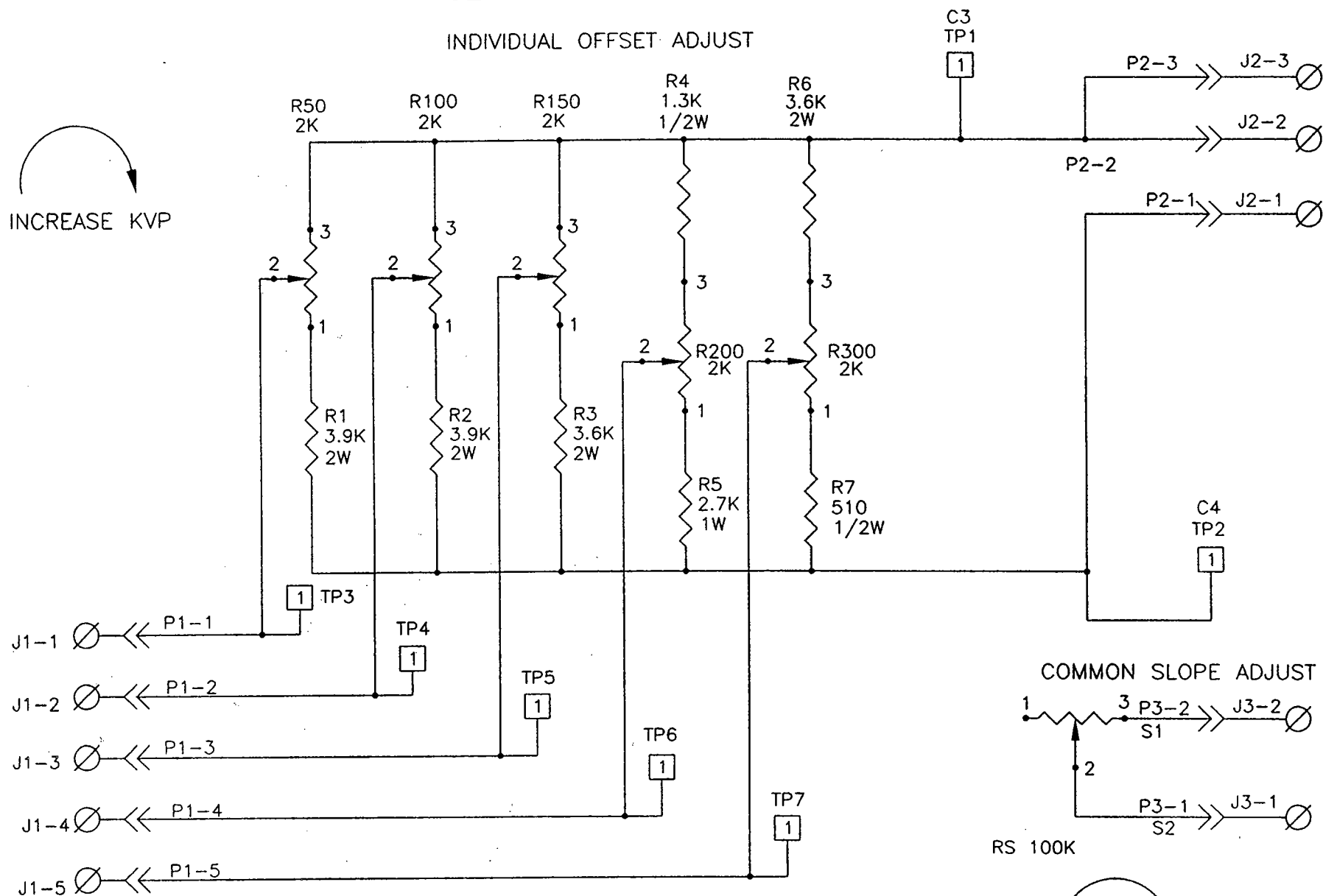
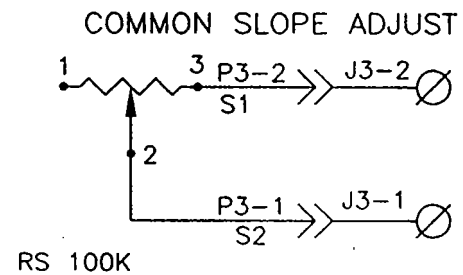


325 KVP METER COMPENSATION CIRCUIT

INDIVIDUAL OFFSET ADJUST



INCREASE KVP



B132
REV.C

SCHMATIC FOR KV COMP. PCB ASSY. (01204)