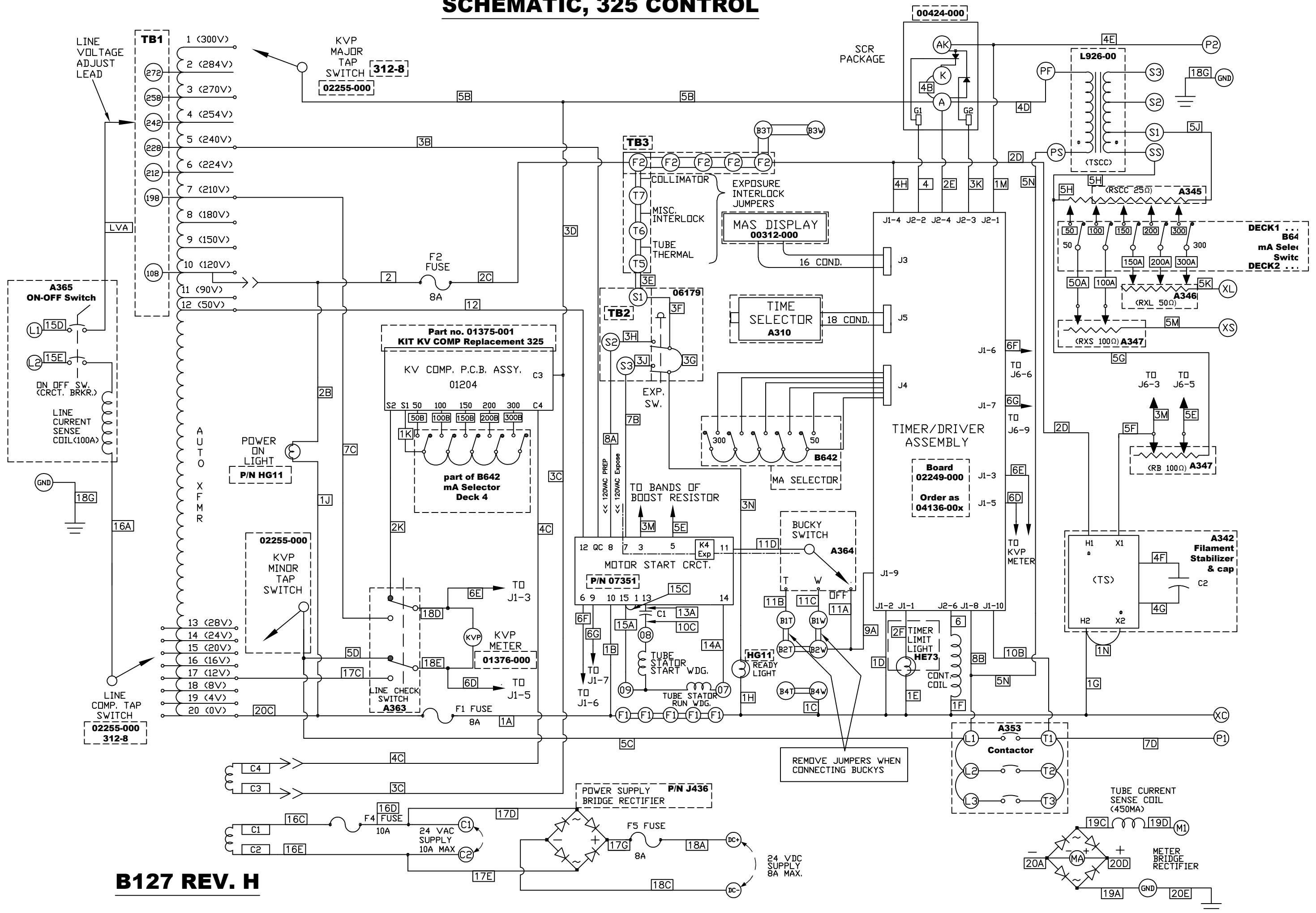


# SCHEMATIC, 325 CONTROL



**B127 REV. H**