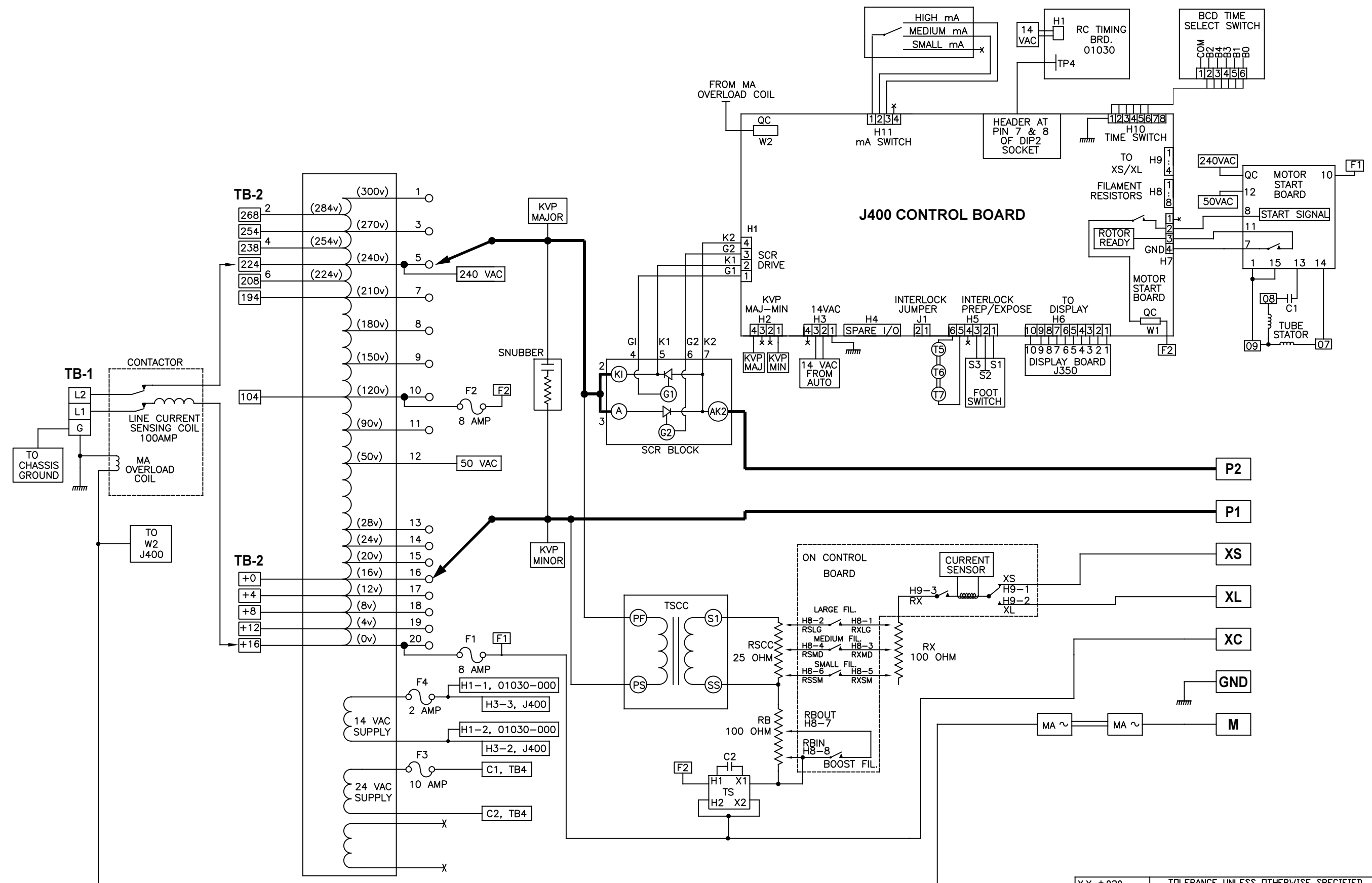


PART NO.	J499	REV	D	LTR	ECR	REVISION	BY	DATE
				B	1402	RELEASED	CS	06/15/98
				C	1826	RECONNECTED PIN 5 OF SCR	JP	12/21/99
				D	2749	ADDED RC TIMING BRD.	JP	10/08/02



TOLERANCE UNLESS OTHERWISE SPECIFIED							
X.X ±.030							
X.XX ±.015							
X.XXX ±.005							
1/X ±1/64							
ANGLES ±1/2°							
<b>SUMMIT INDUSTRIES, INC.</b> 2901 W. LAWRENCE AVE., CHICAGO, IL TEL. 773-509-6273 FAX 773-588-6820							
<b>SCHEMATIC, K200 CONTROL</b>							
NEXT ASSY	MATERIAL						
XXXX	NONE						
SCALE	FINISH						
NONE	NONE						
DWG BY	DATE	APPROVED	DATE	SIZE	SHEET	PART	REV
PJM	10/23/97	CS	4/30/98	C	1 OF 1	J499	D