

## INNOVET VERSA FILM-BASED INTEGRATED VETERINARY TABLE/TUBE STAND SYSTEM

This fully-integrated, UL-Classified table/tubestand and high frequency generator system requires as little as 13.3 sq-ft of floor space. Tube detents at 40" SID and angulates  $\pm 90^\circ$  with mechanical lock. Grid cabinet and tubestand easily interlock for automatic alignment. Molded rust-proof tray. Options include Fixed or 4-way Float table top, hands-free collimator light, traditional or latching prep, cassette storage side panels, operator's console for X-ray generator can be 2-point (kV/mAs) or Anatomically Programmed technique factor type & foot treadle exposure switch.

### SPECIFICATIONS

|  |   |
|--|---|
| Space requirements<br>(assumes X-ray generator is located under table) | <p style="text-align: center;">Column height: 82.2"</p> <p>Minimum ceiling height: 85" (includes 2.8" clearance above top of column to allow <math>\pm 60^\circ</math> of tube angulation)</p> <p style="text-align: center;">Fixed table top: 57.3" wide, 33.5" deep<br/>         4-way float table top: 73.5" wide x 42.1" deep</p> |
| Mounting   | Bolts to floor are recommended. HV transformer & generator's power module can be located on shelf in table base.  |
| Electrical Access  | All cables enter from rear or side of table. Front covers of table are removable for internal access.   |

### ELECTRICAL REQUIREMENTS

(For Summit 30kW 20kHz HF X-ray generator)

|   |
|---|
| See TDS020 for generator requirements.  |
| The generator provides 24 VAC and 24 VDC supply voltages for table locks and collimation. |

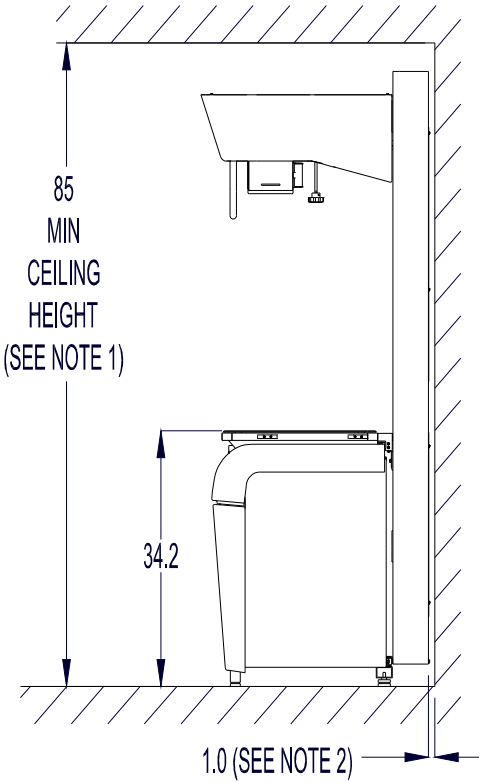
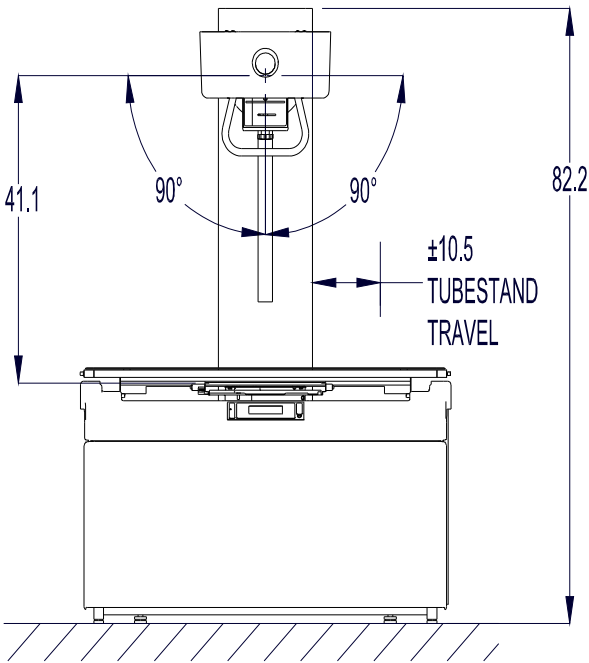
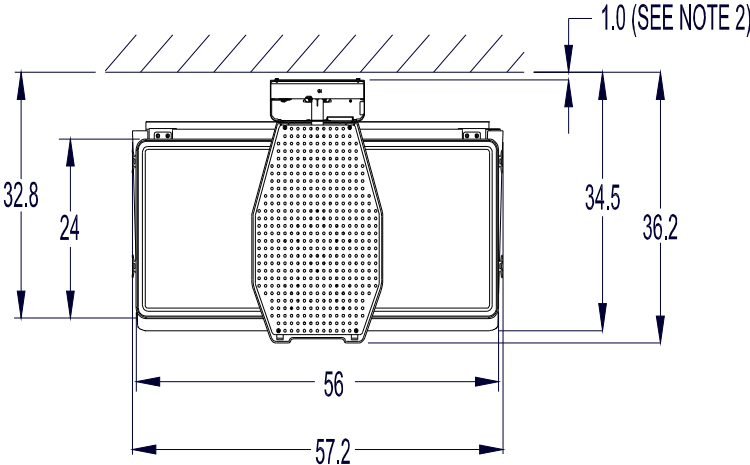
### SHIPPING INFORMATION

| CONTENTS  | DIMENSIONS (L x W x H)   | WEIGHT   |
|---|--|--|
| Tubestand   | 81" x 17" x 7"   | 150 lbs.   |
| Table, collimator, tube, film cab, grid, tray, table covers, tube cover, tube mount, tube arm & accessories | Fixed table top: 62.5" x 37.5" x 44"<br>4-way table top: 73" x 38.5" x 44" | Fixed table top: 450 lbs.<br>4-way table top: 575 lbs. |

### MISCELLANEOUS

Rated for 300-pound patient load.  
 Specifications subject to change without notice.

# INNOVET VERSA FILM - FIXED TT

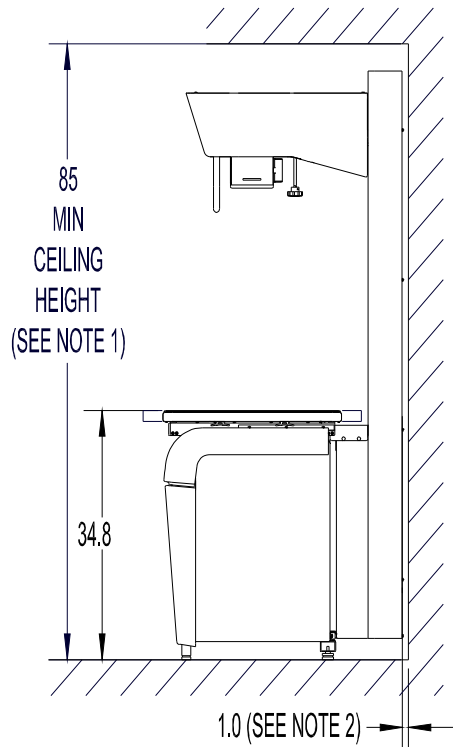
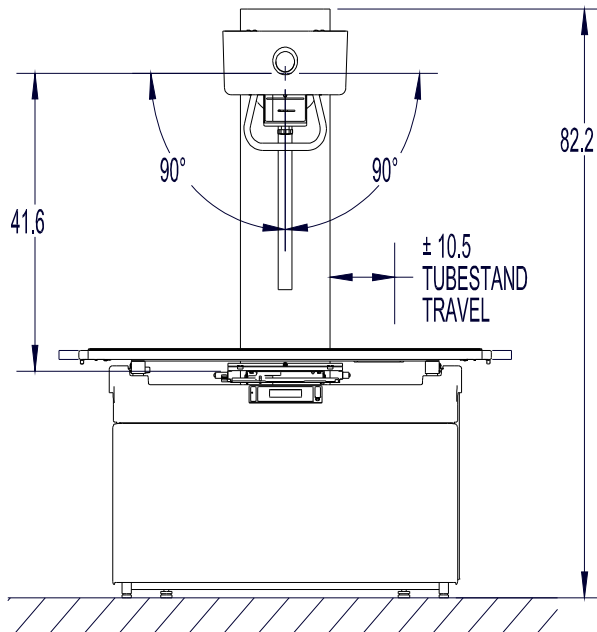
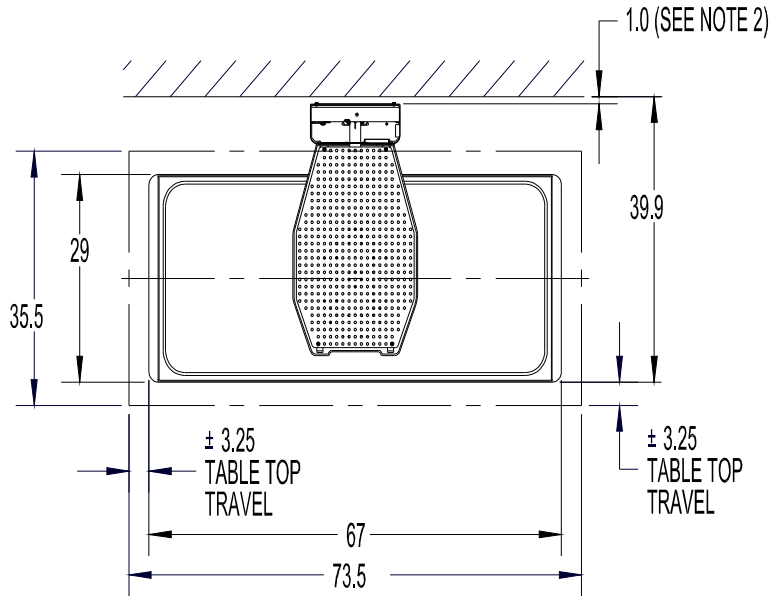


SCALE: 1/2" = 1'

NOTES:

1. 2.75" ADDED ON TOP TO ALLOW FOR FULL TUBE ANGULATION.
2. 1" REAR GAP BETWEEN TUBESTAND AND WALL.

# INNOVET VERSA FILM - 4-WAY FLOAT TT



SCALE: 1/2" = 1"

NOTES:

1. 2.75" ADDED ON TOP TO ALLOW FOR FULL TUBE ANGULATION.
2. 1" REAR GAP BETWEEN TUBESTAND AND WALL.